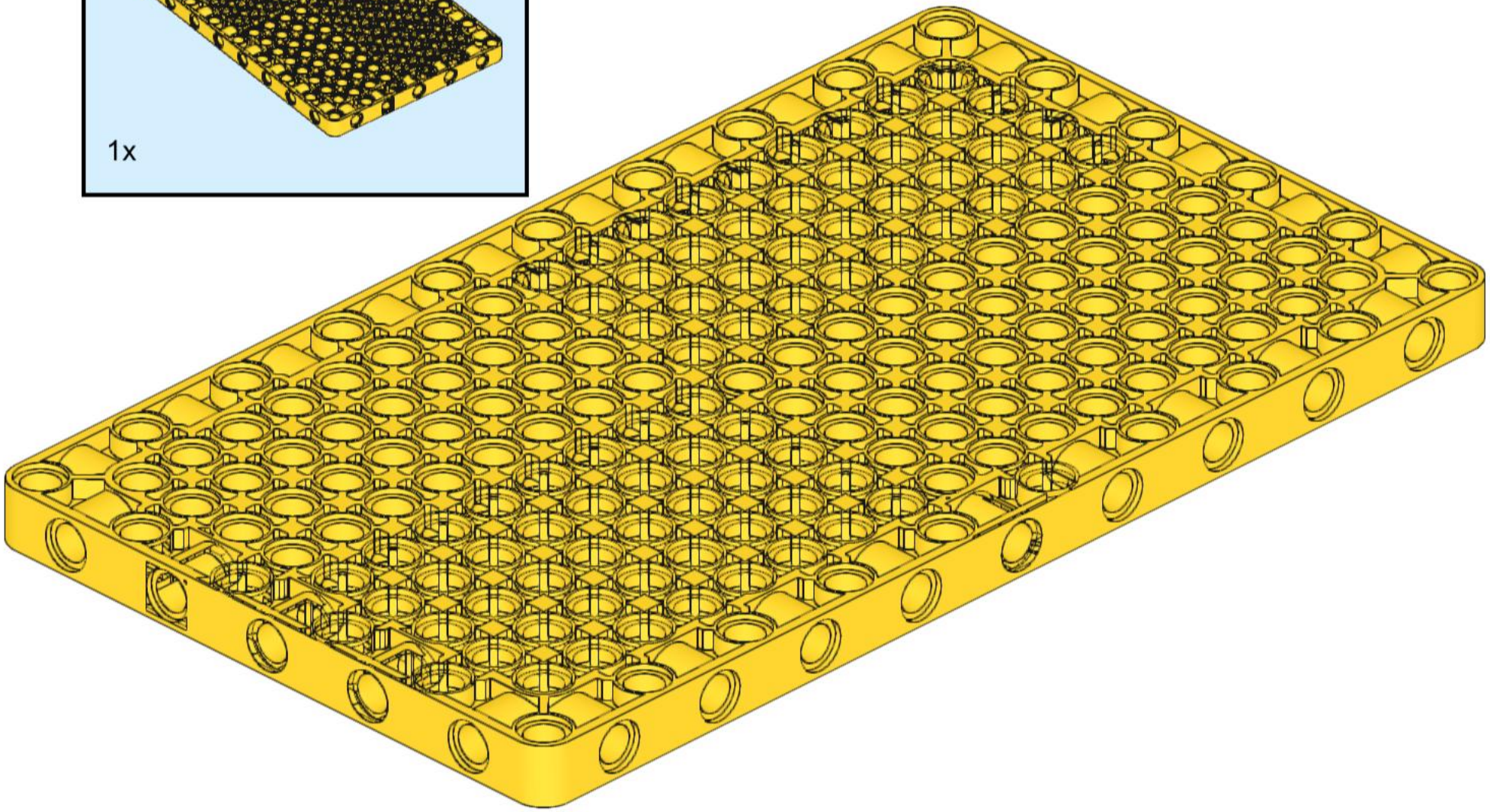
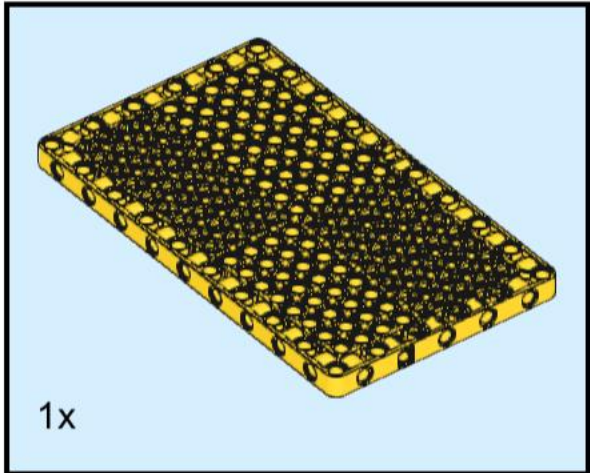
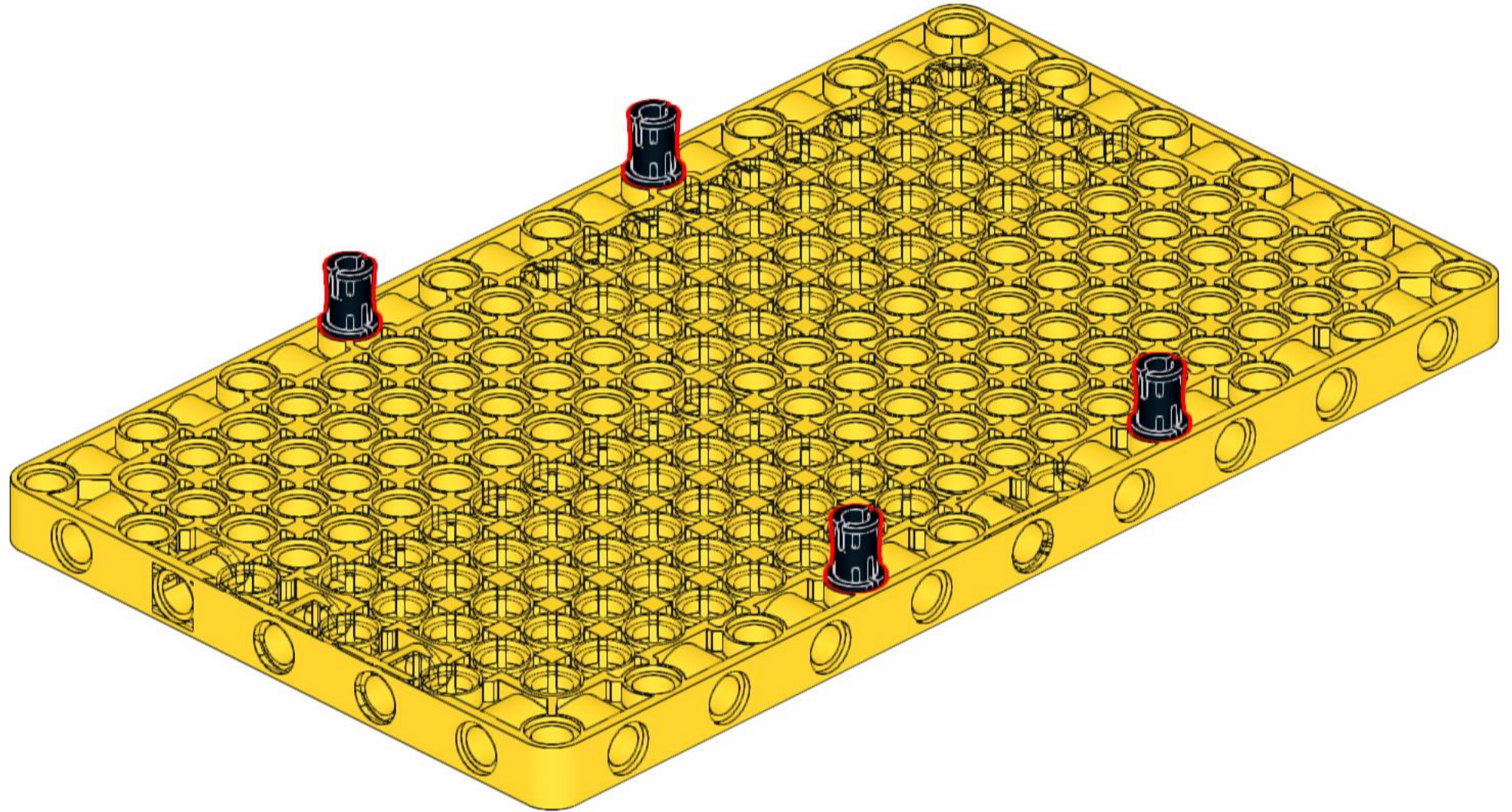


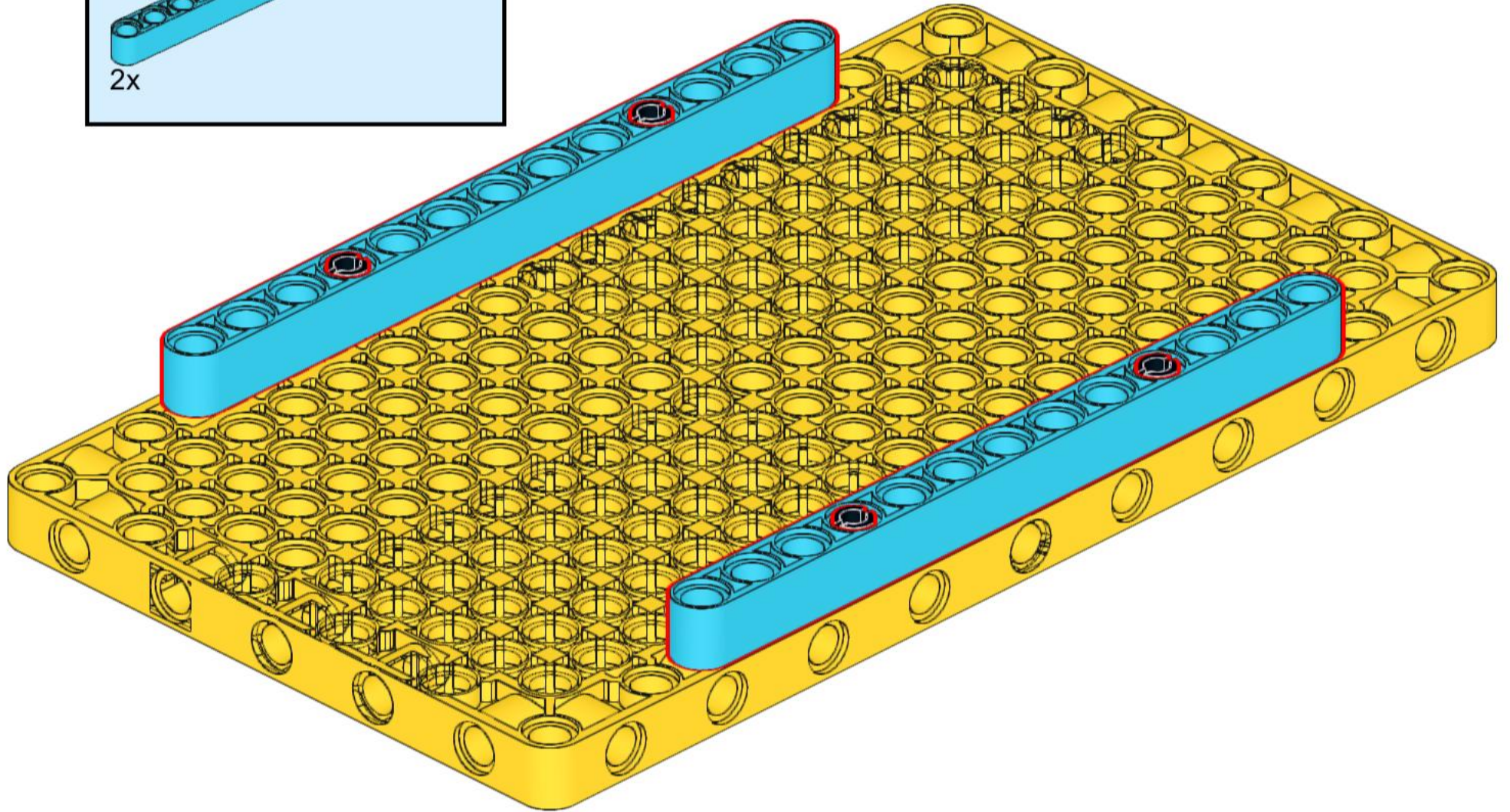
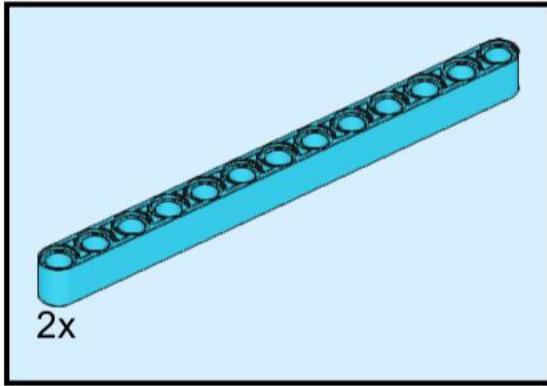
1



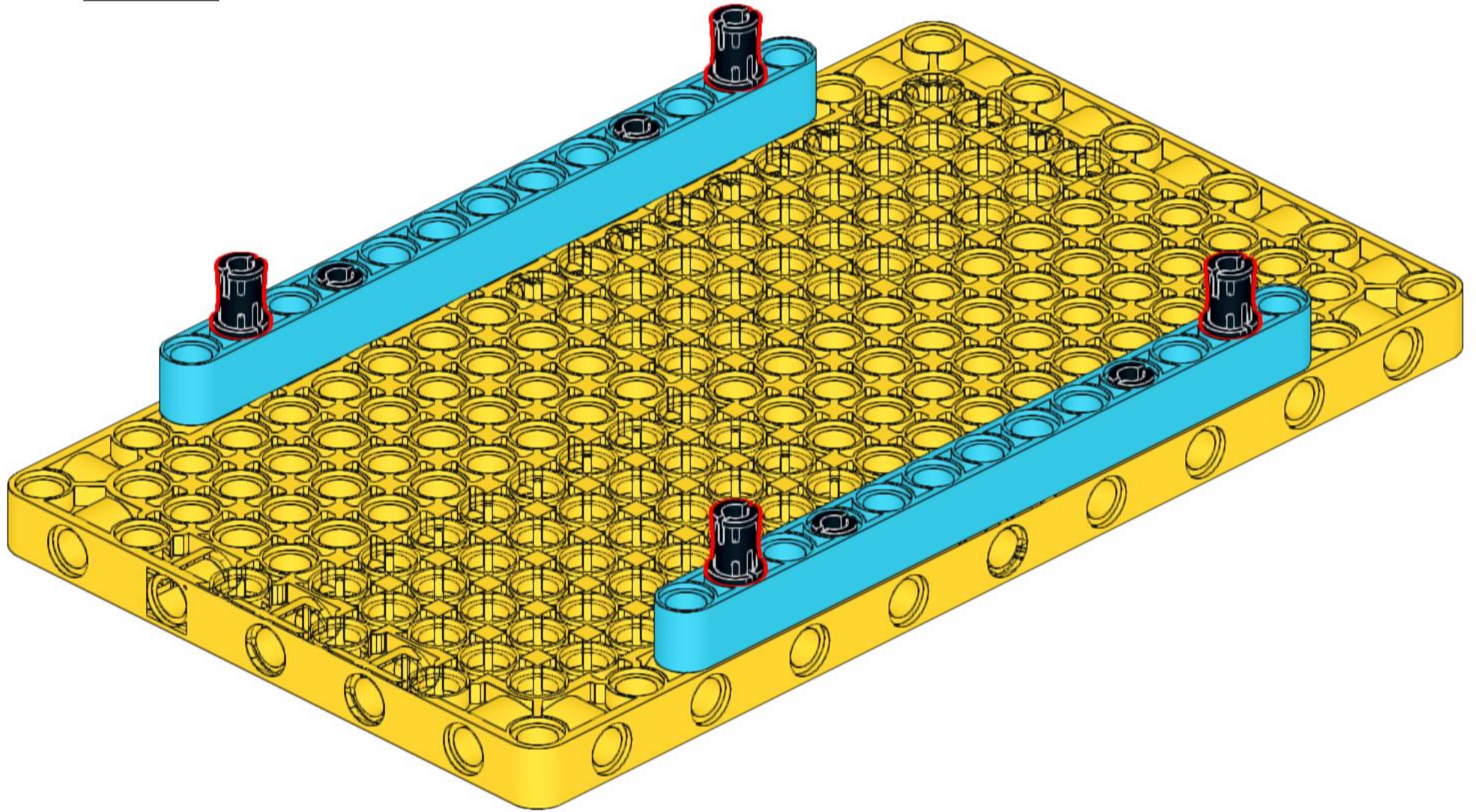
2



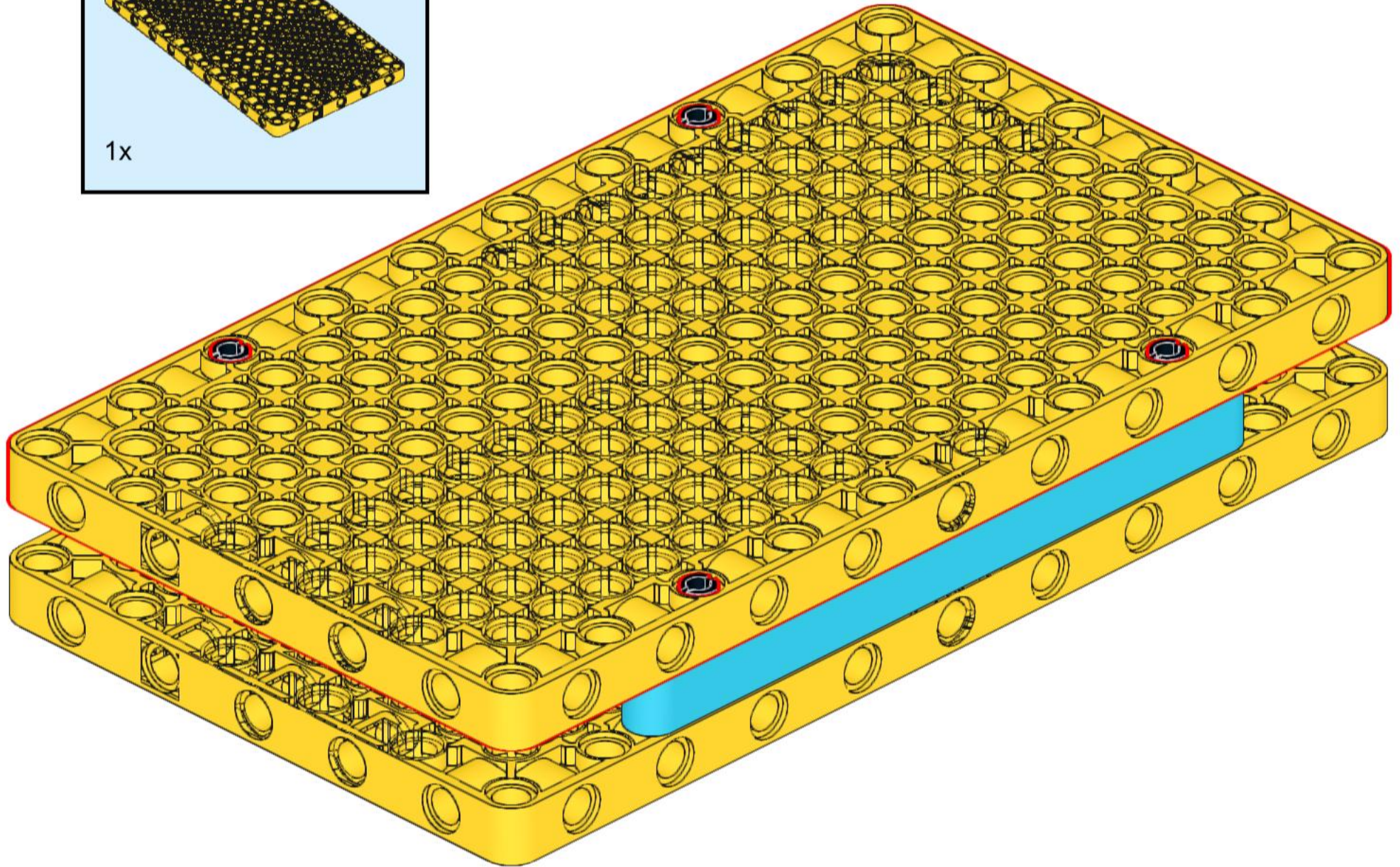
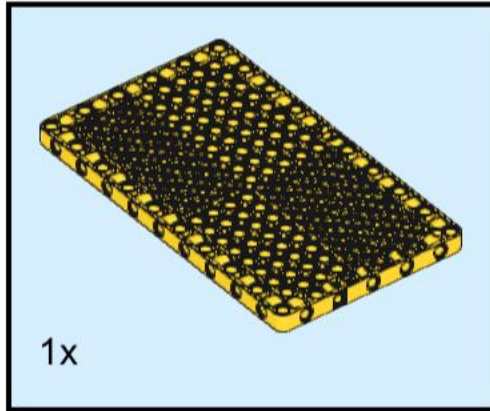
3



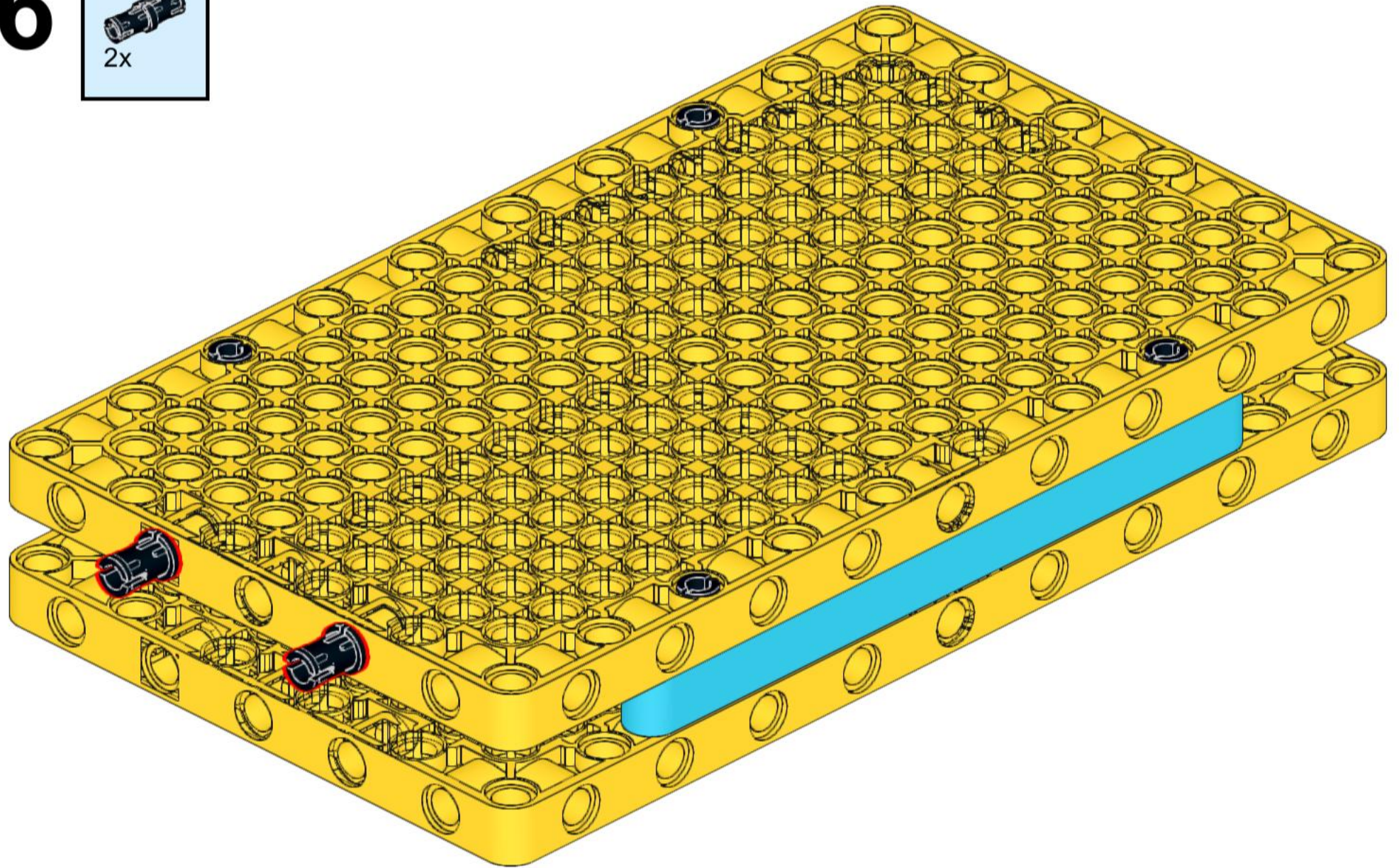
4



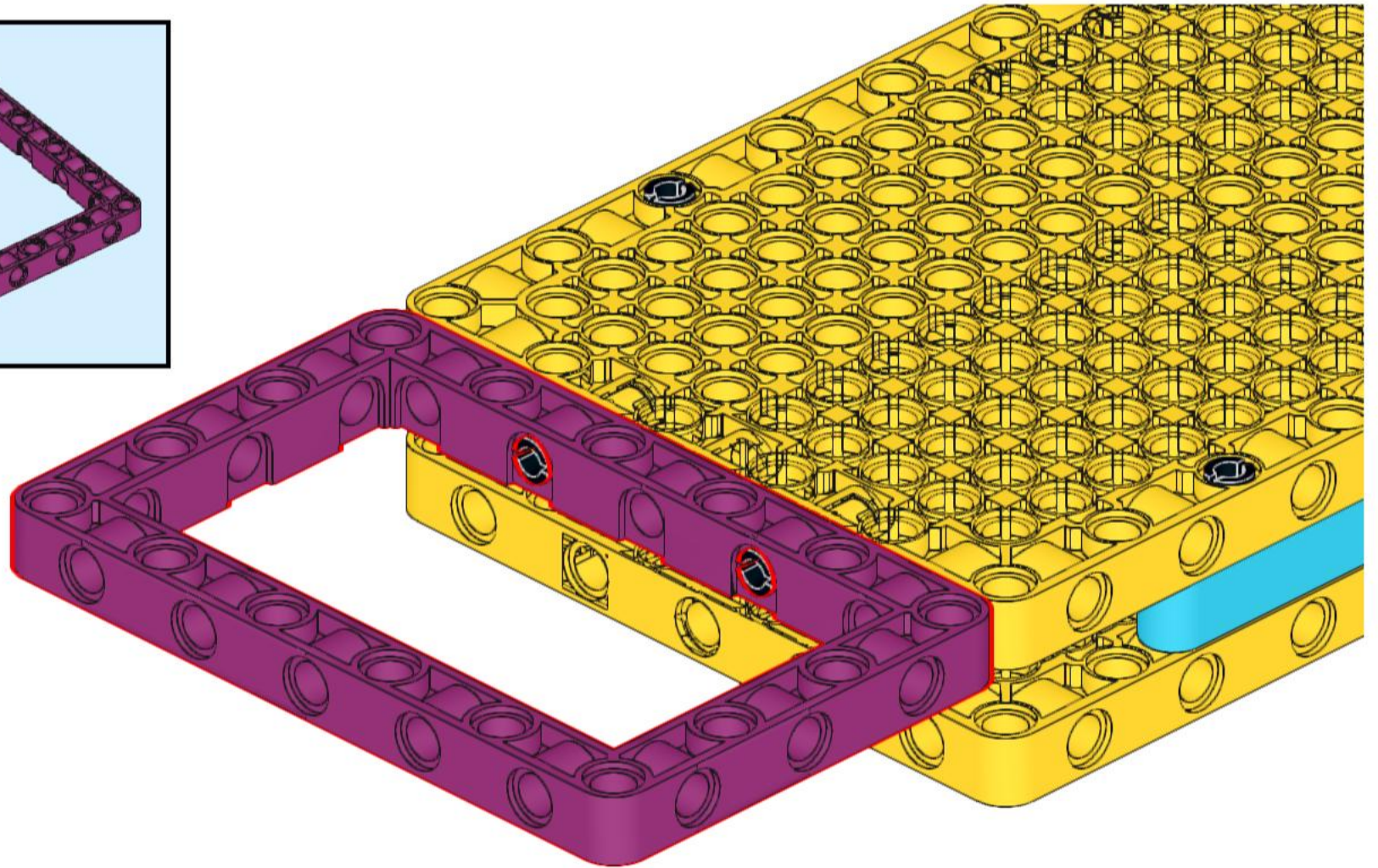
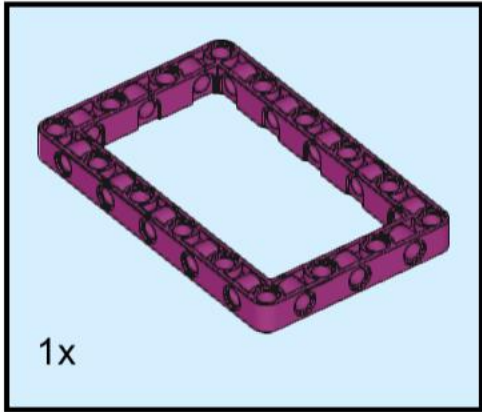
5



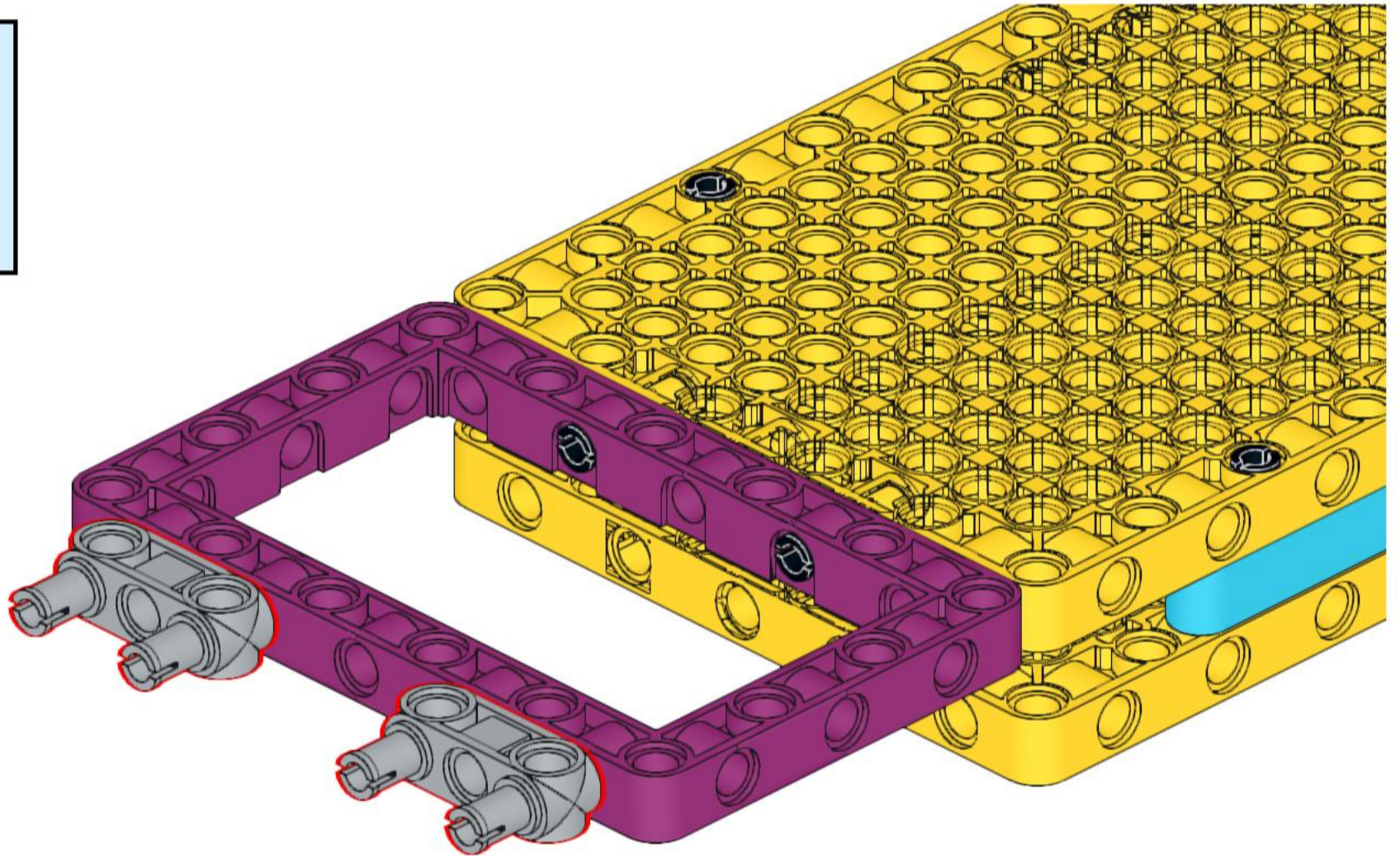
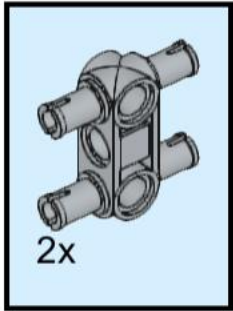
6



7

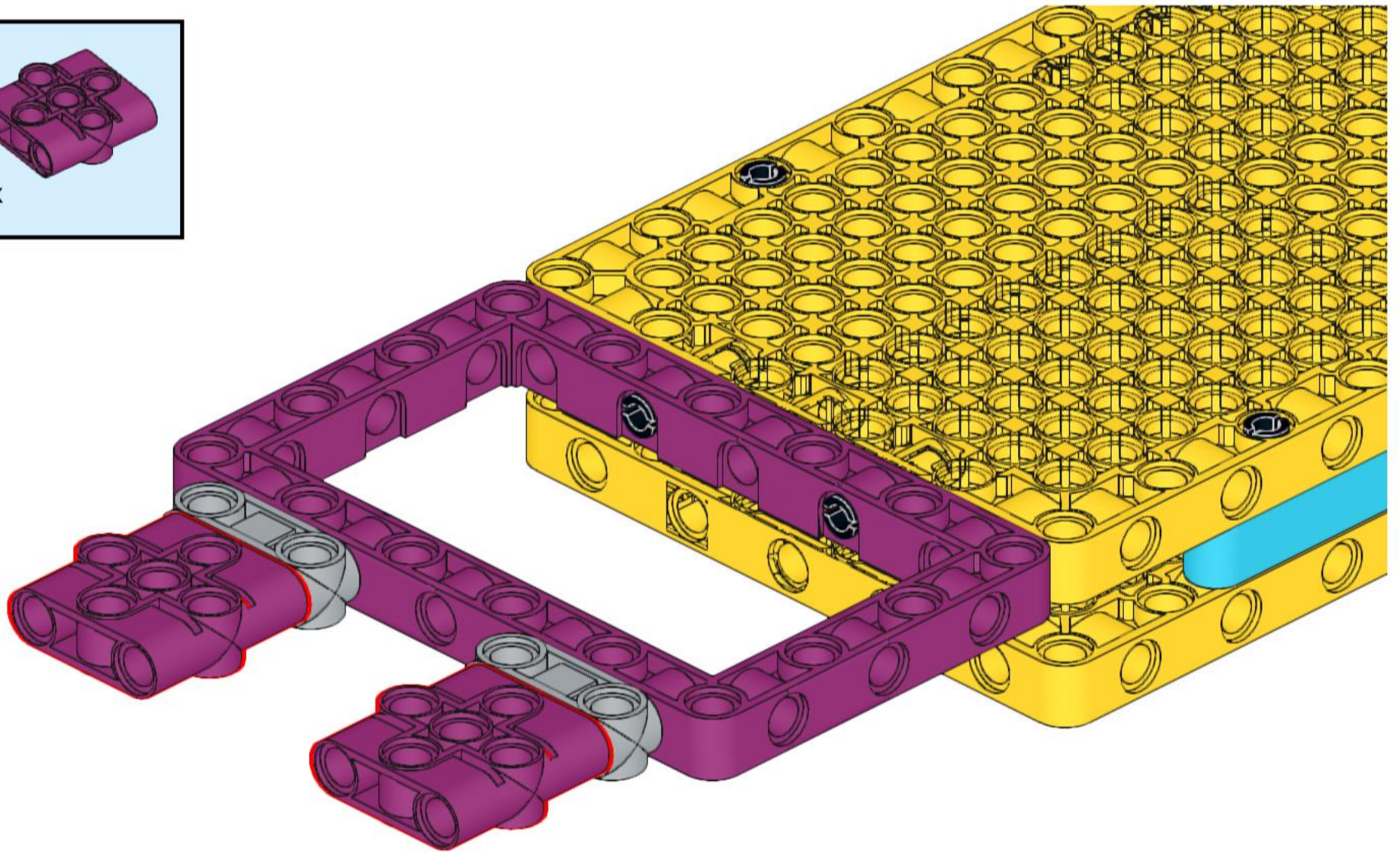
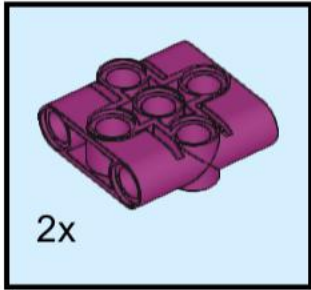


8

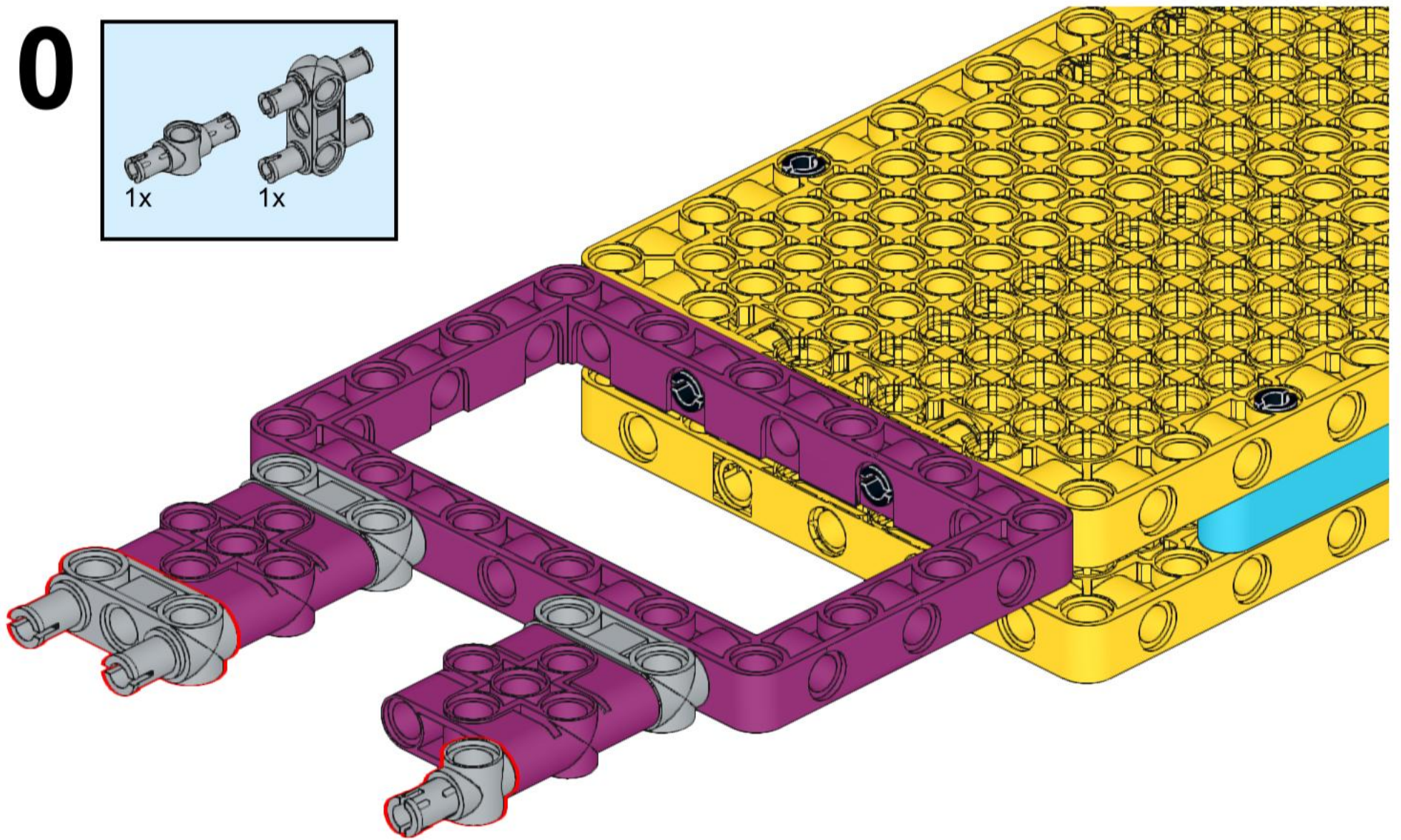
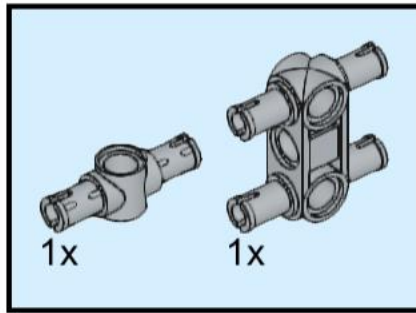




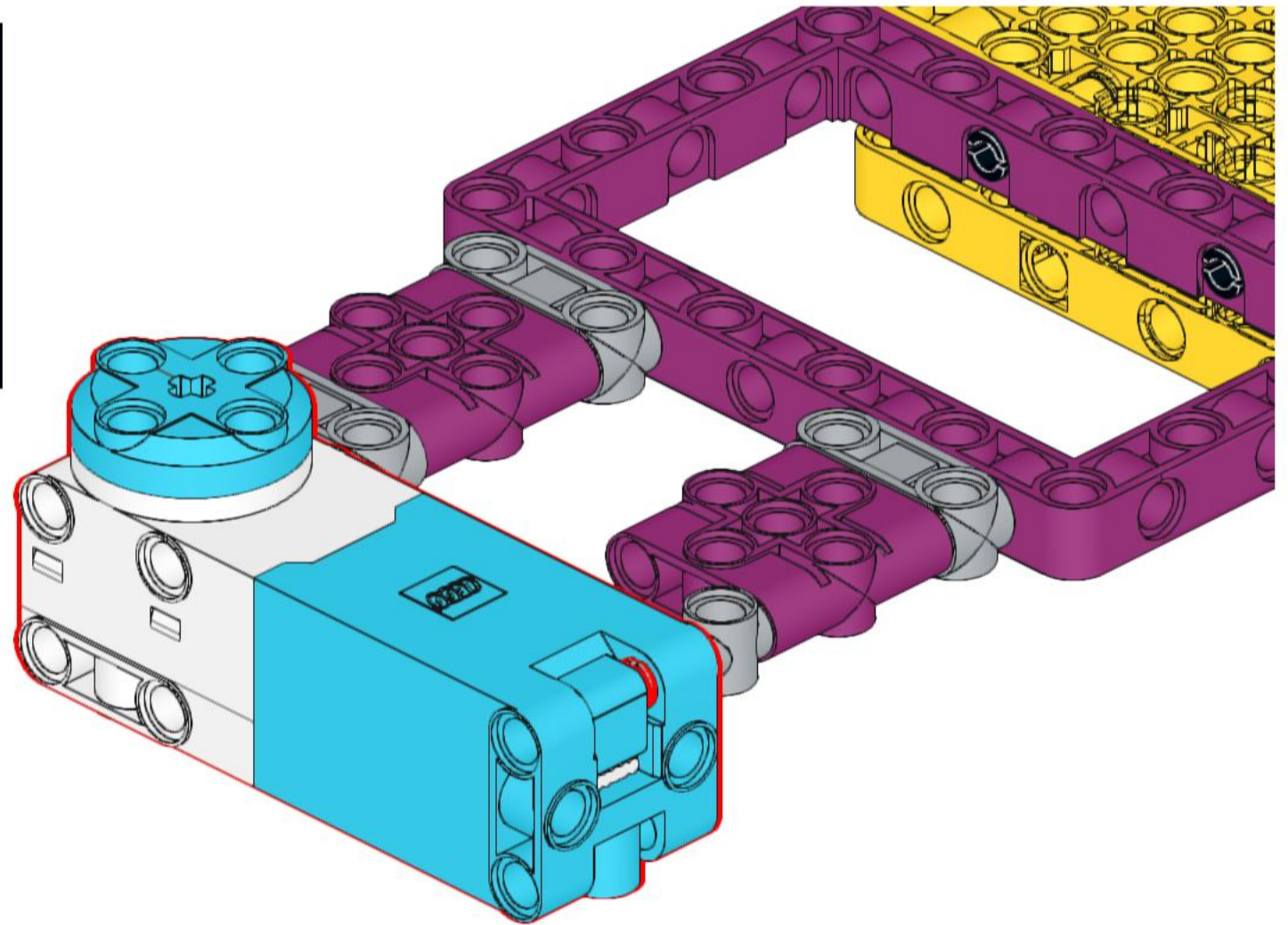
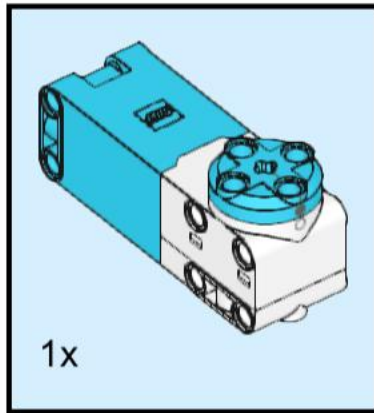
9



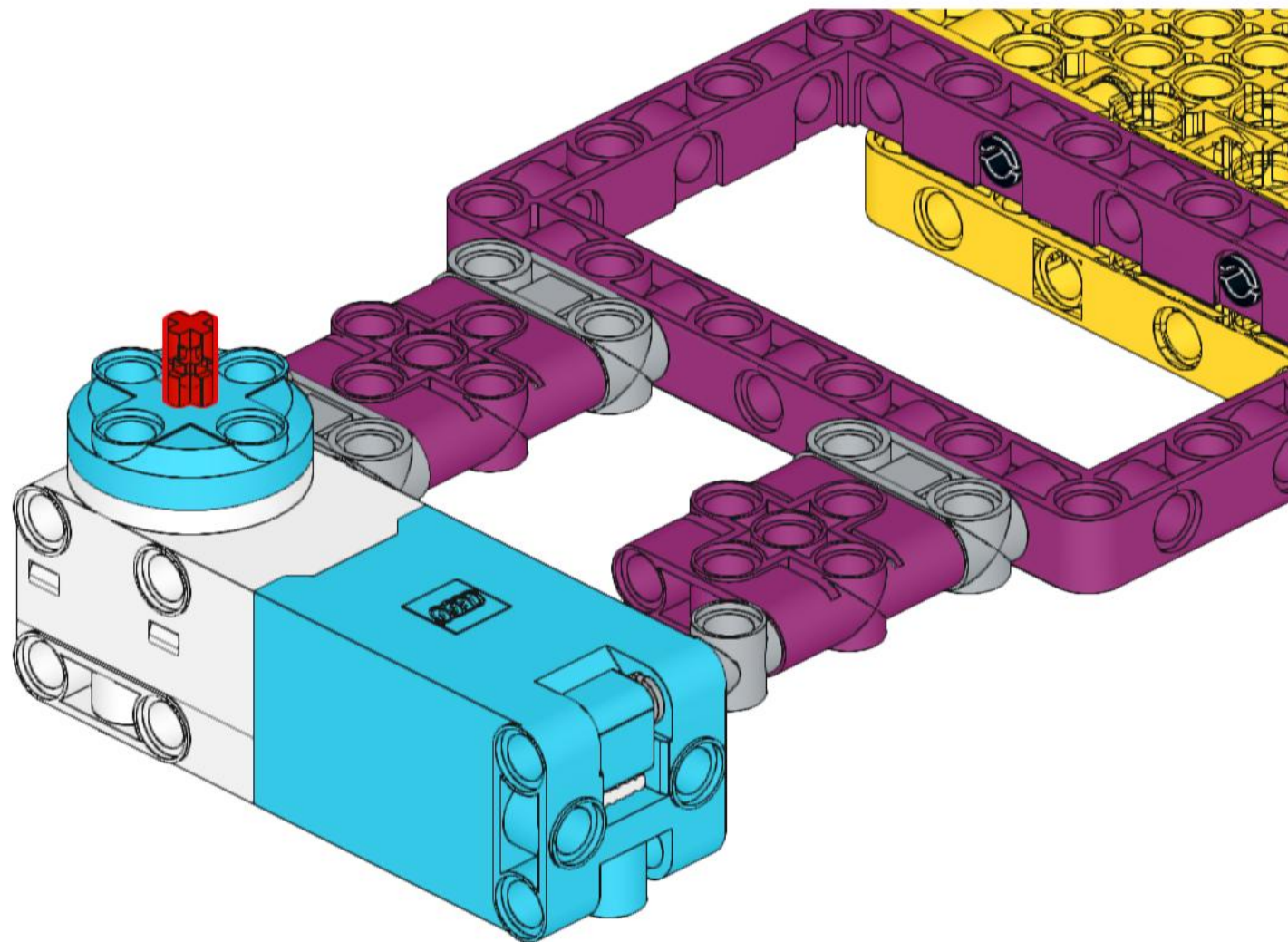
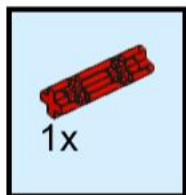
# 10



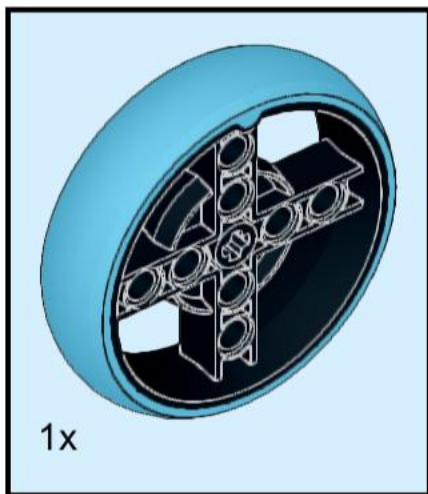
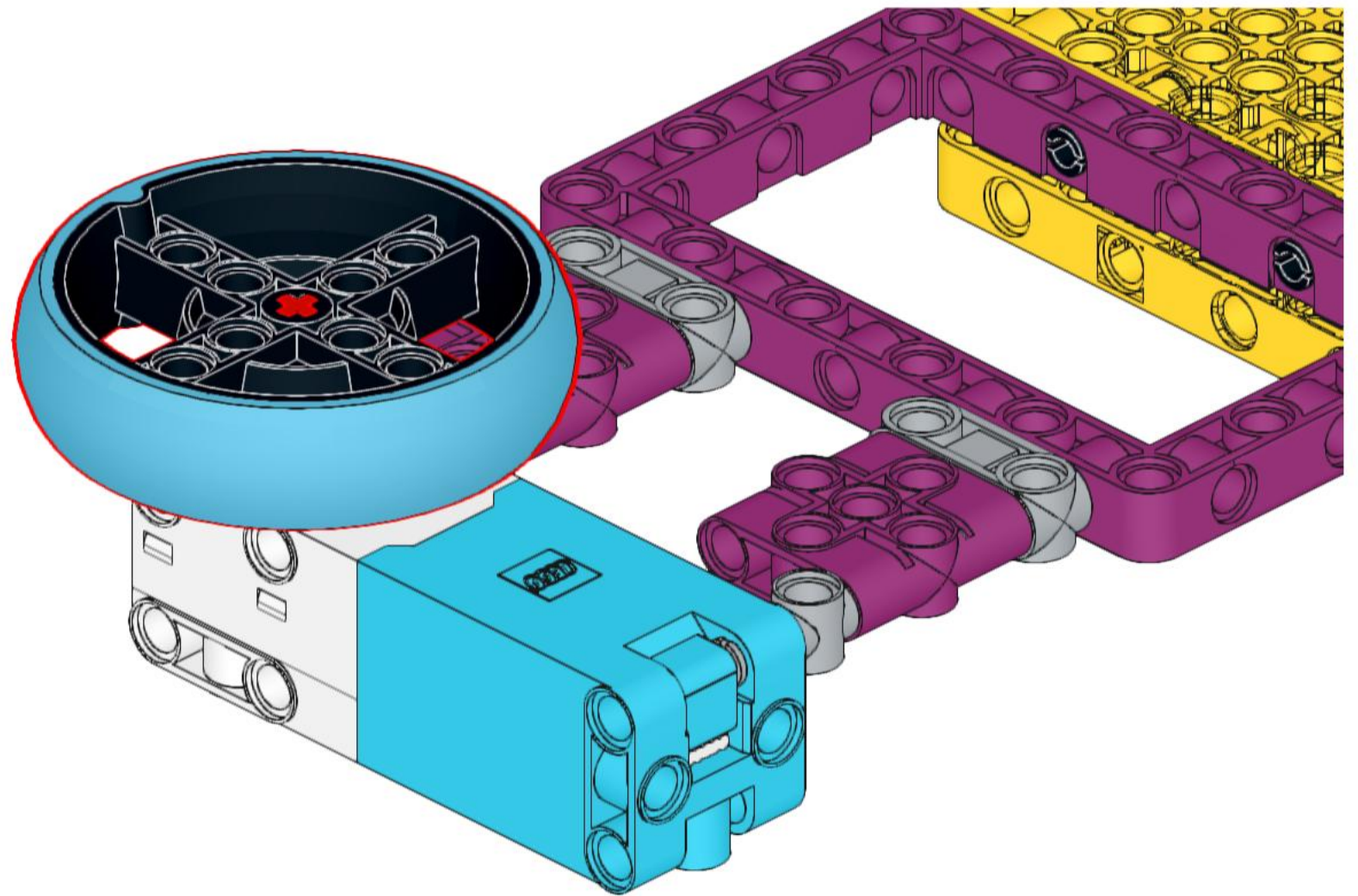
# 11



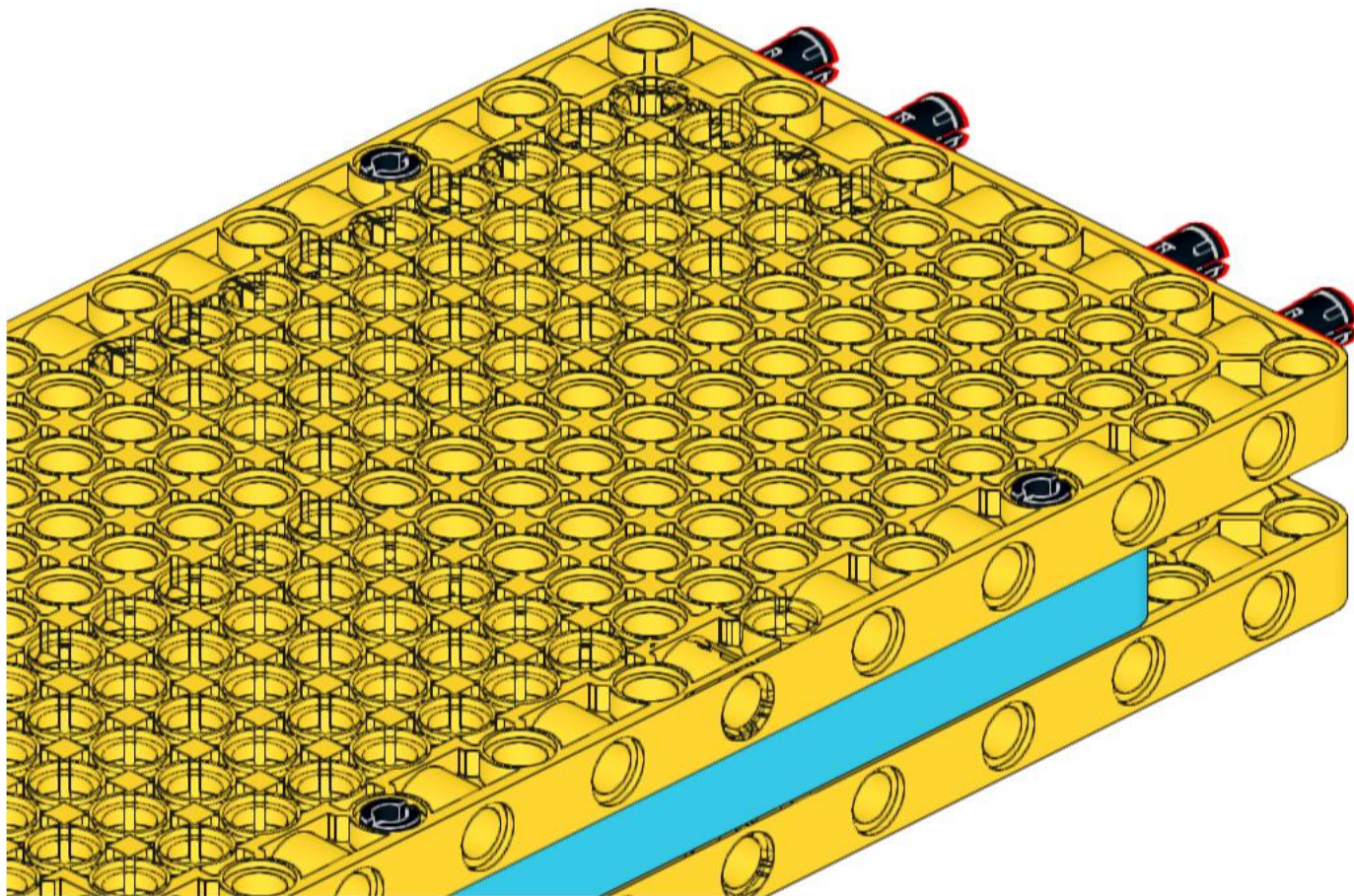
# 12



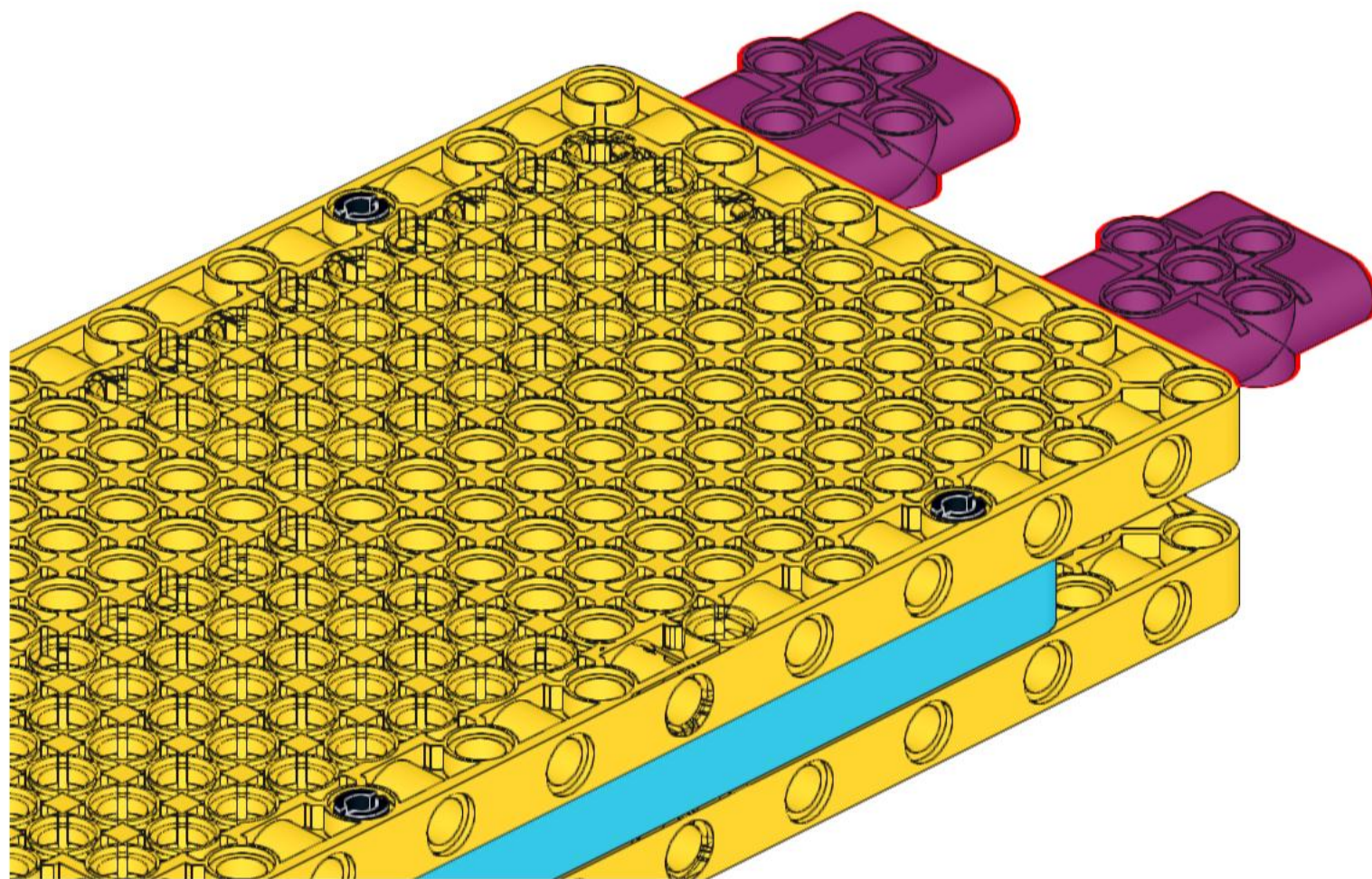
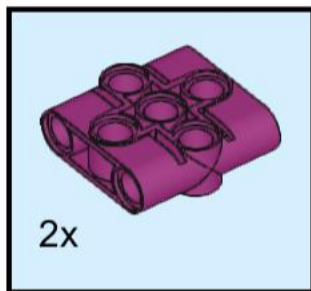
# 13



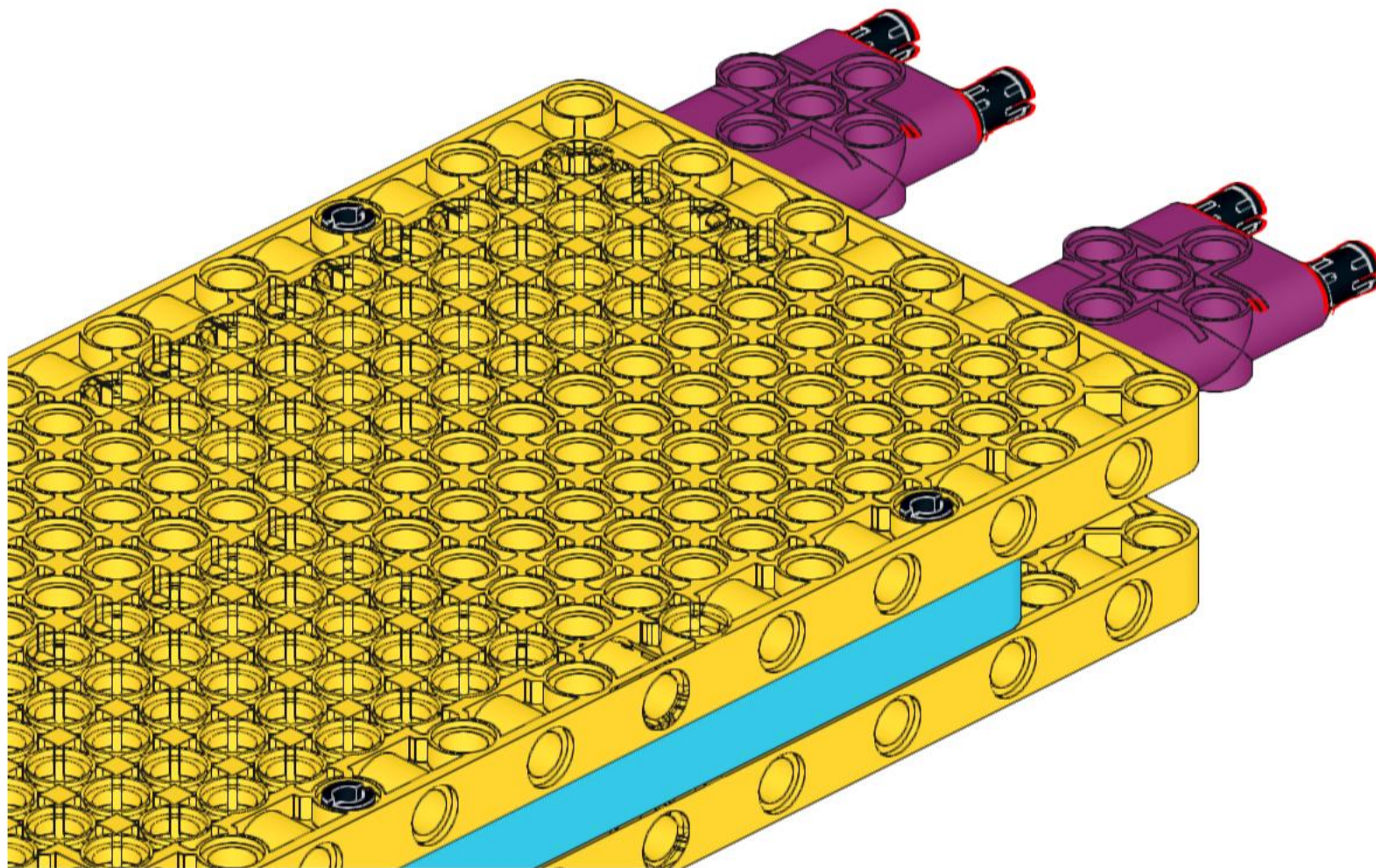
# 14



# 15

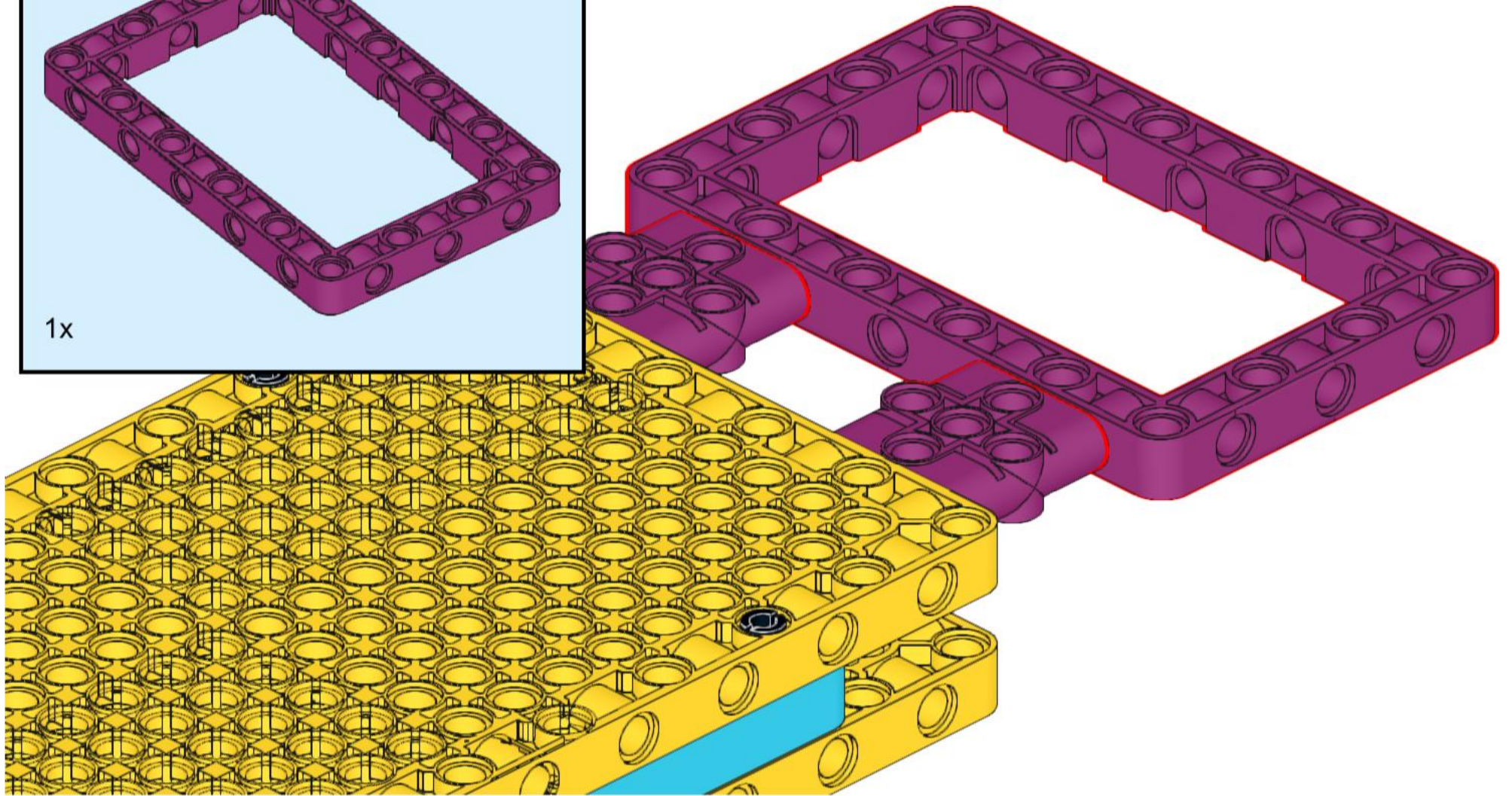
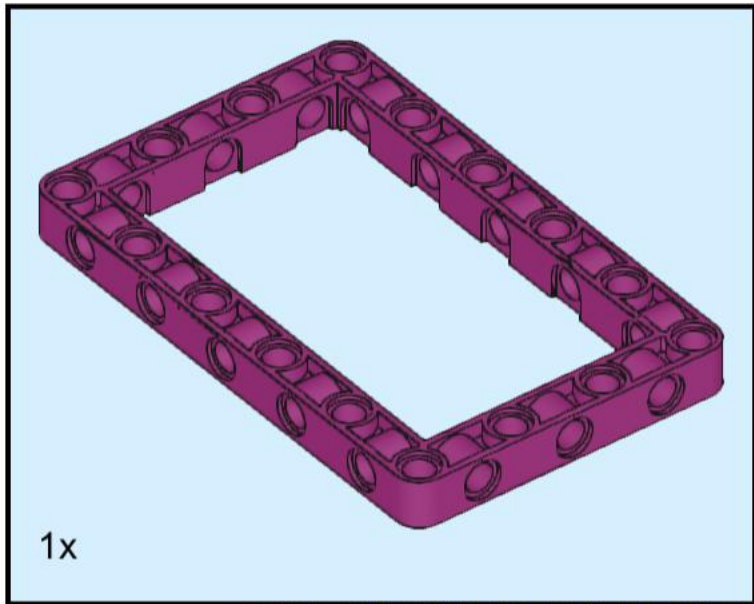


# 16

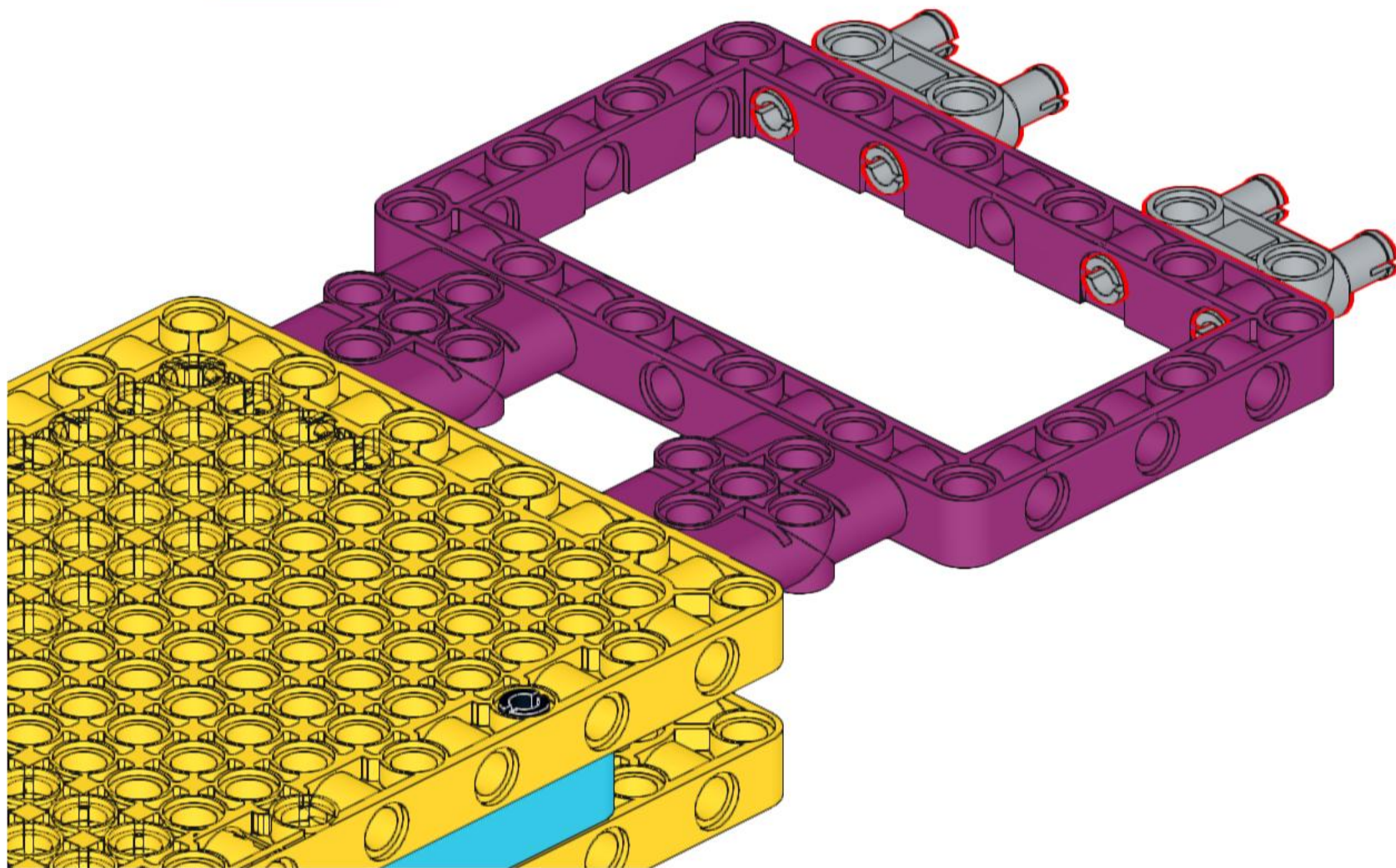
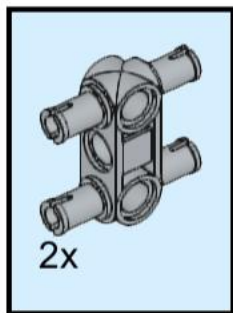




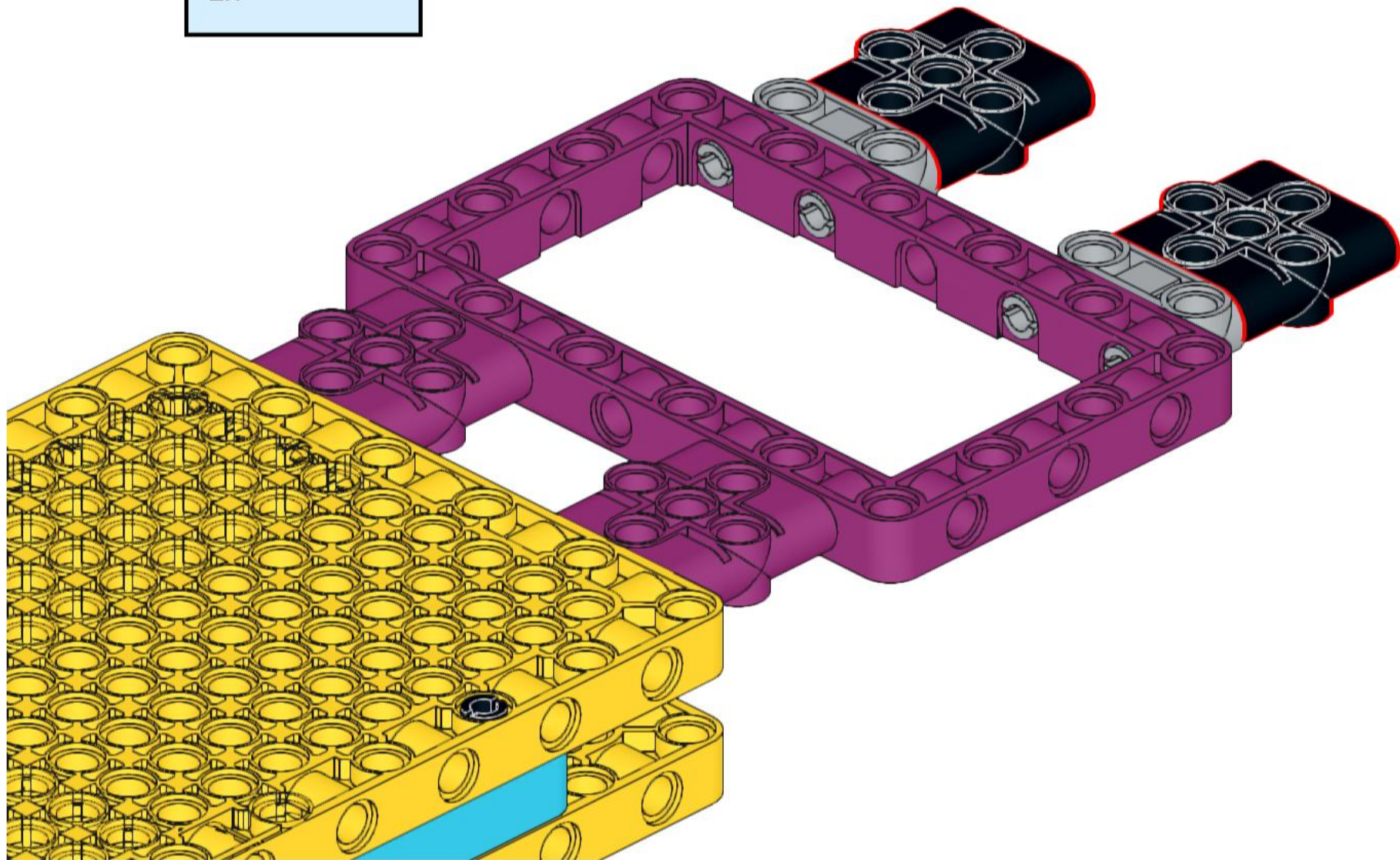
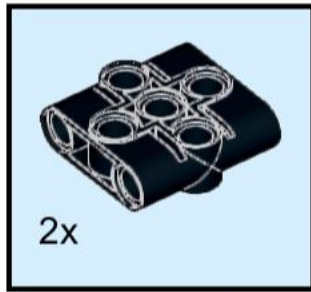
# 17



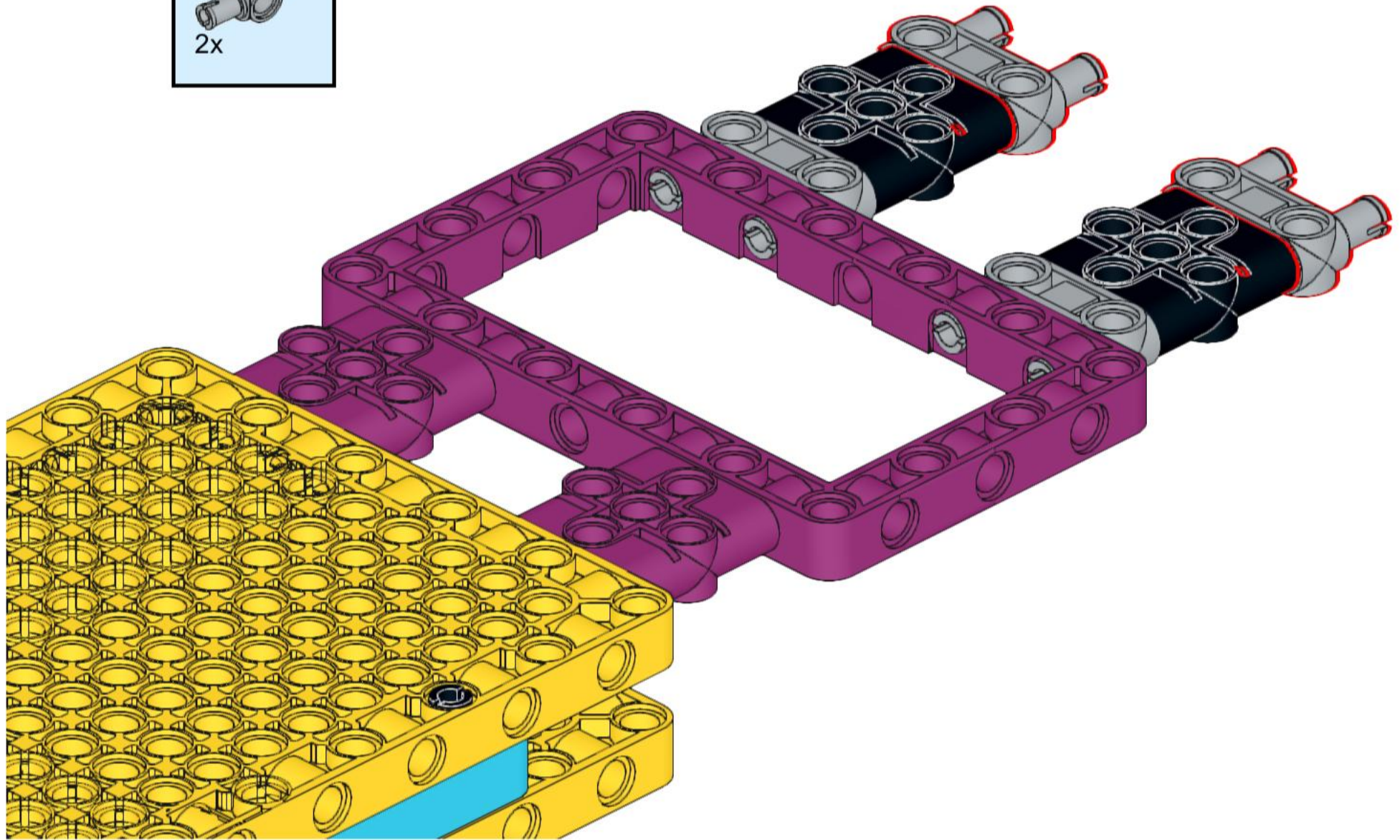
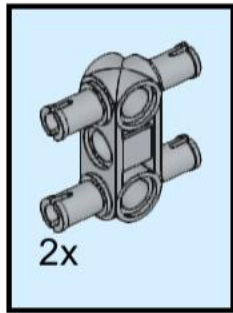
# 18



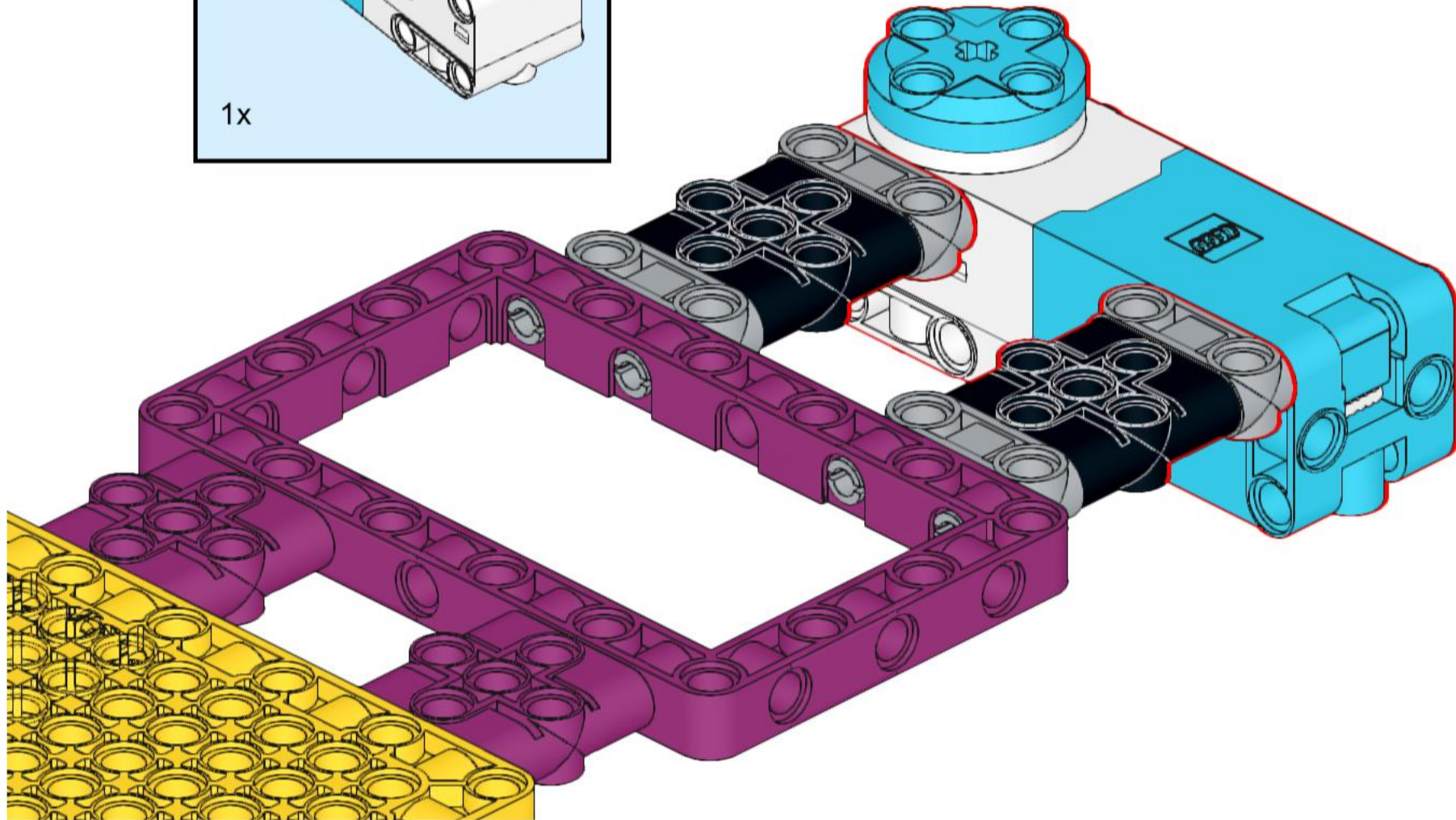
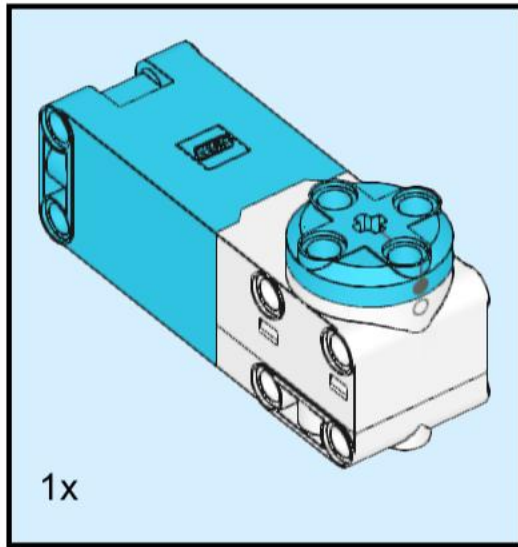
19



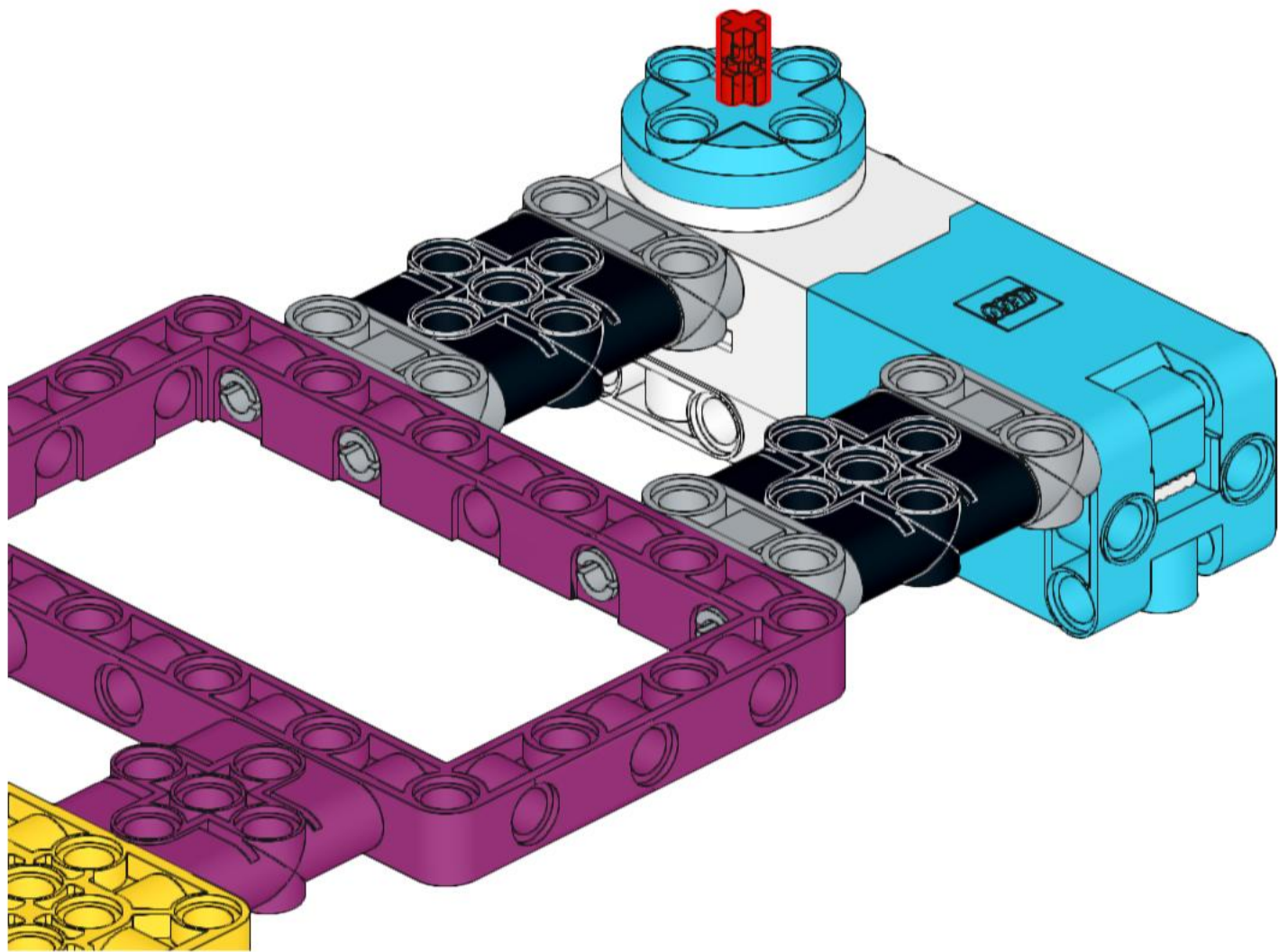
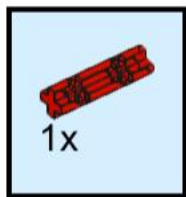
# 20



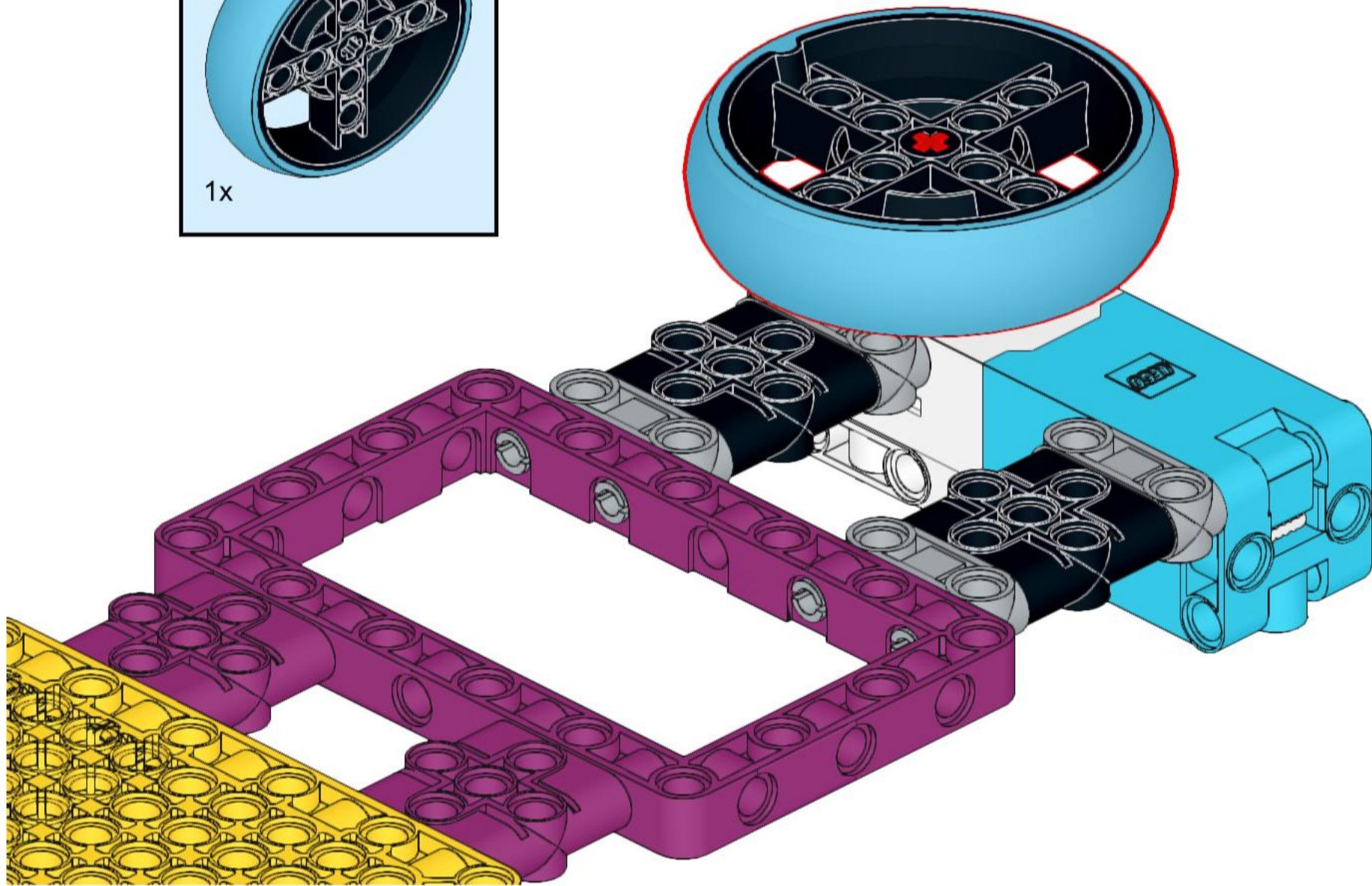
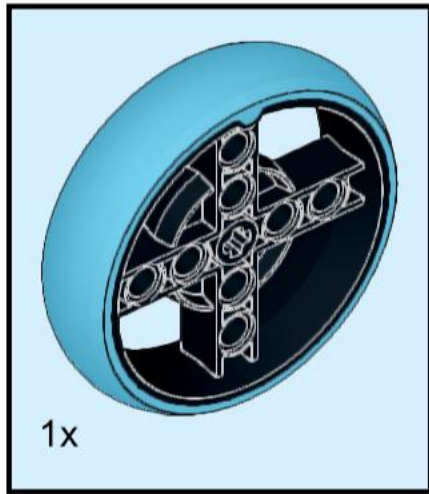
# 21



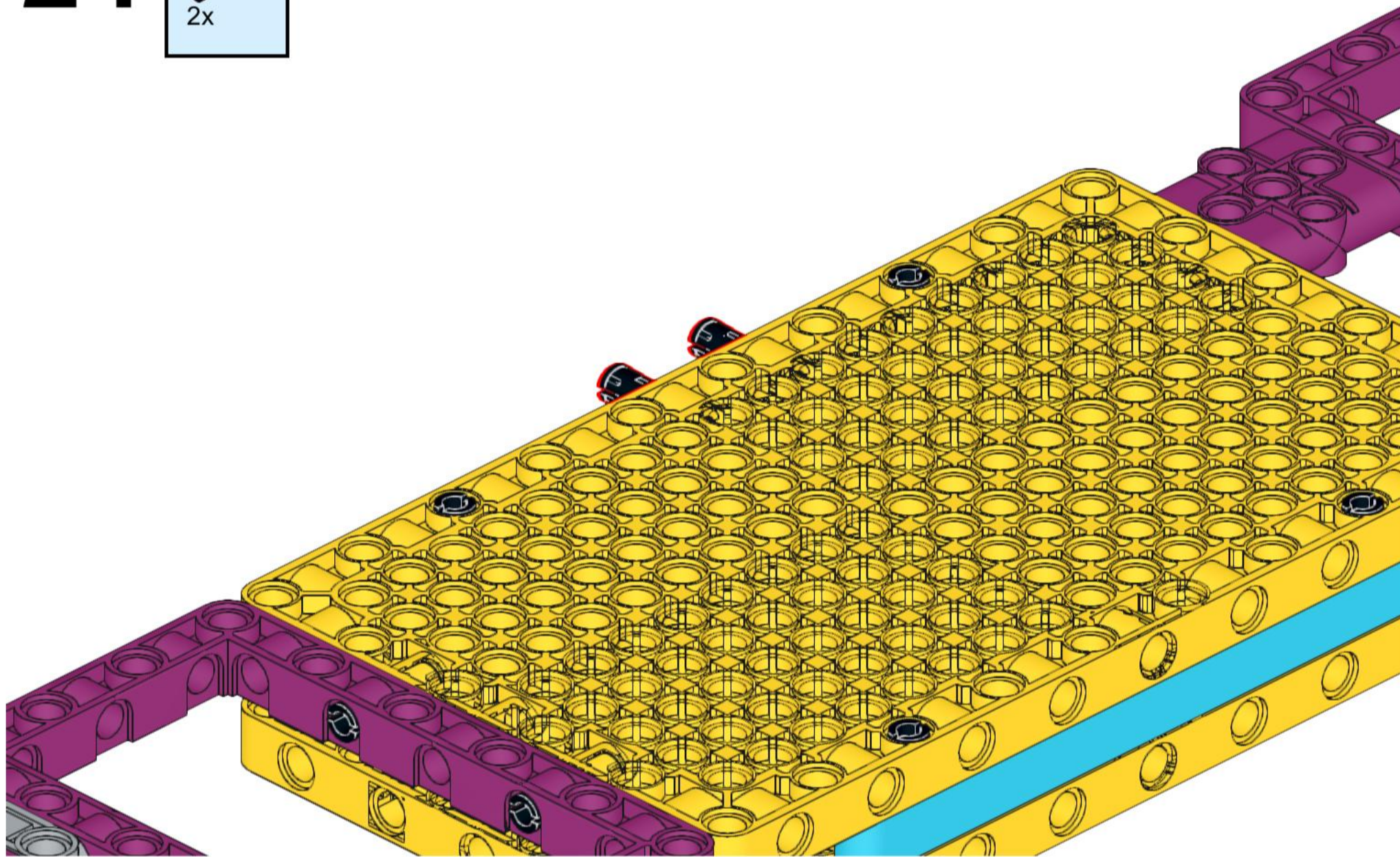
# 22



# 23

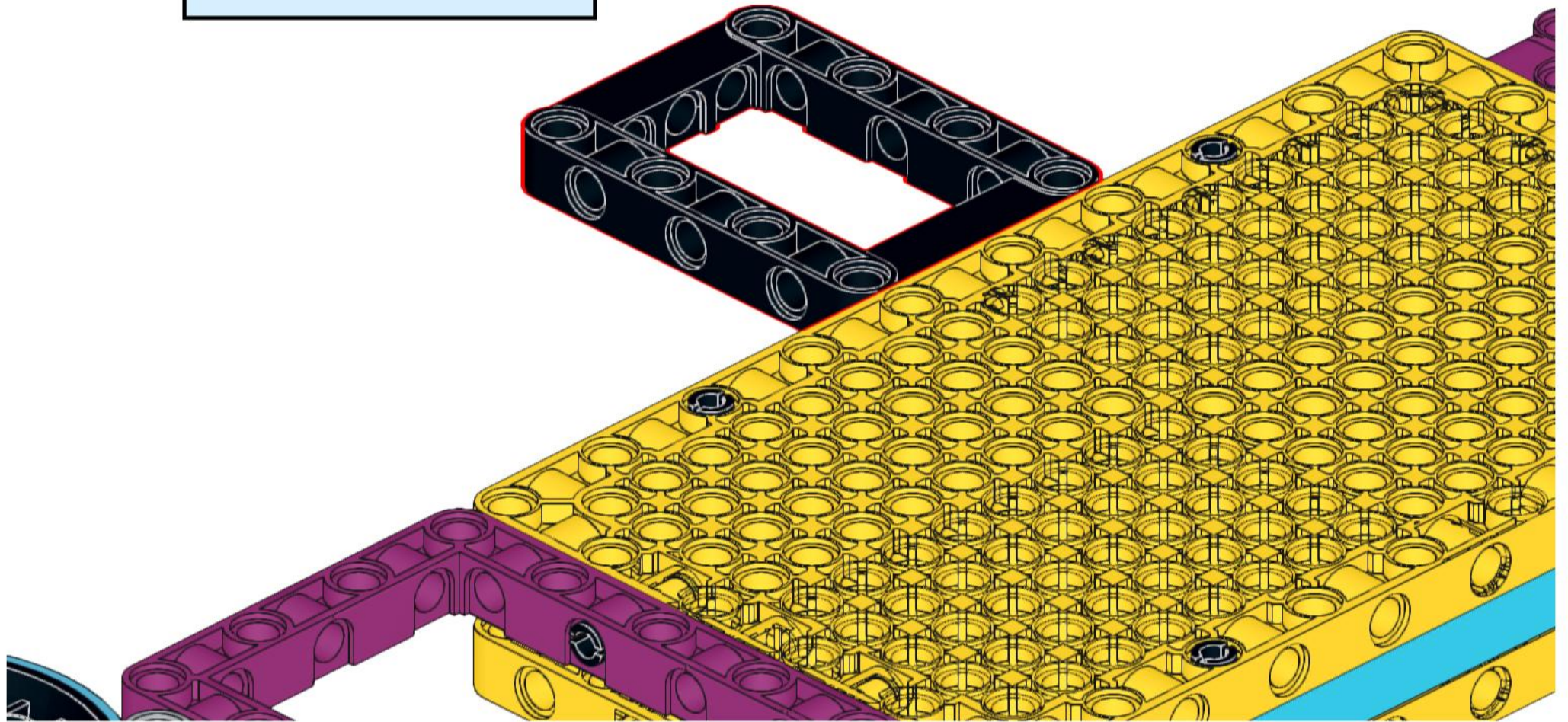
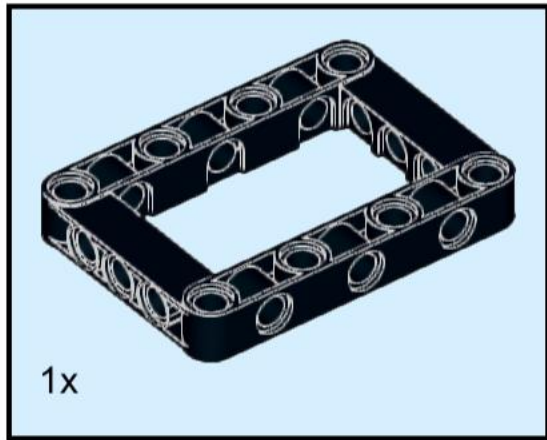


# 24

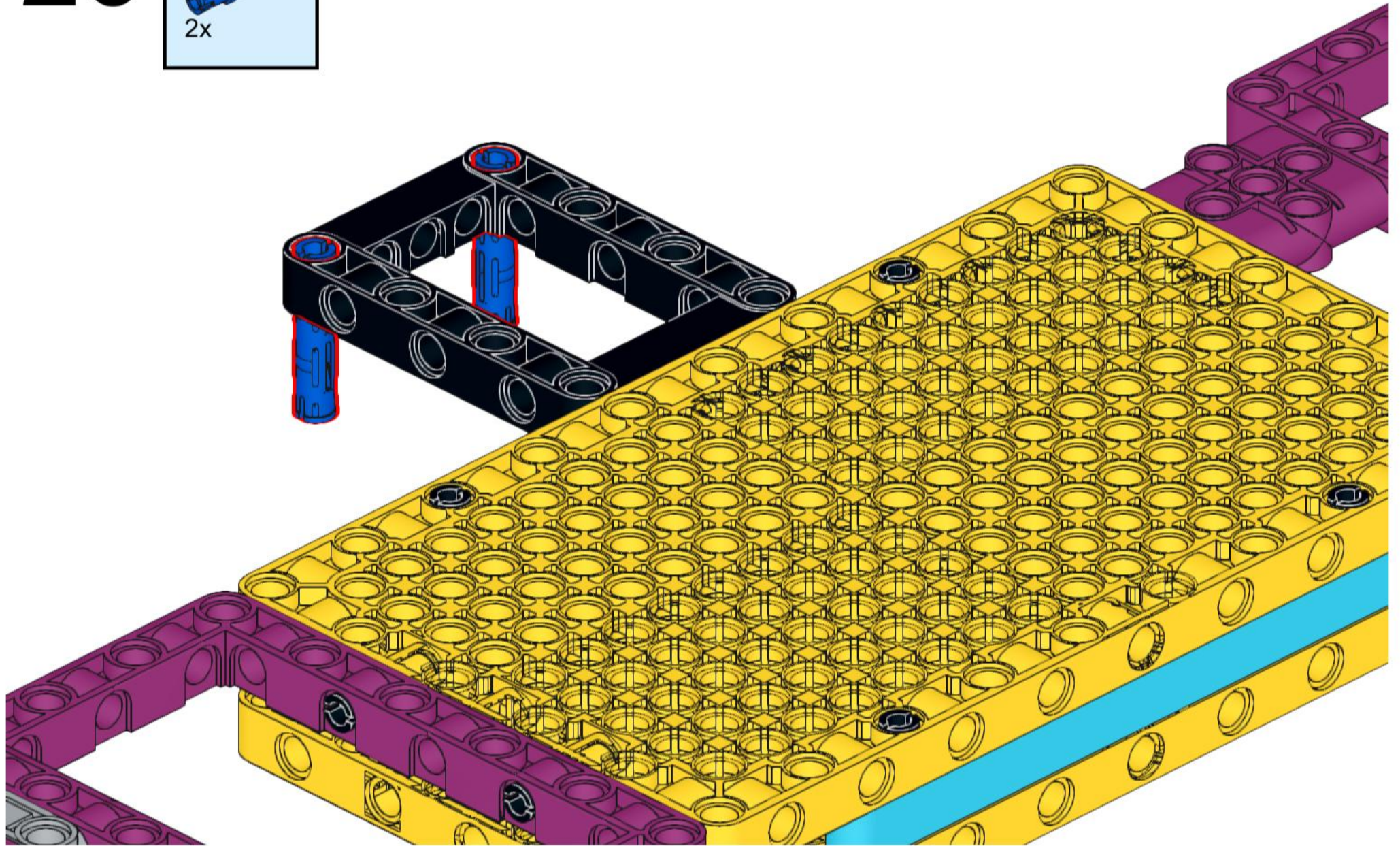
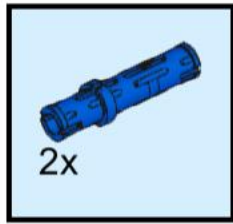




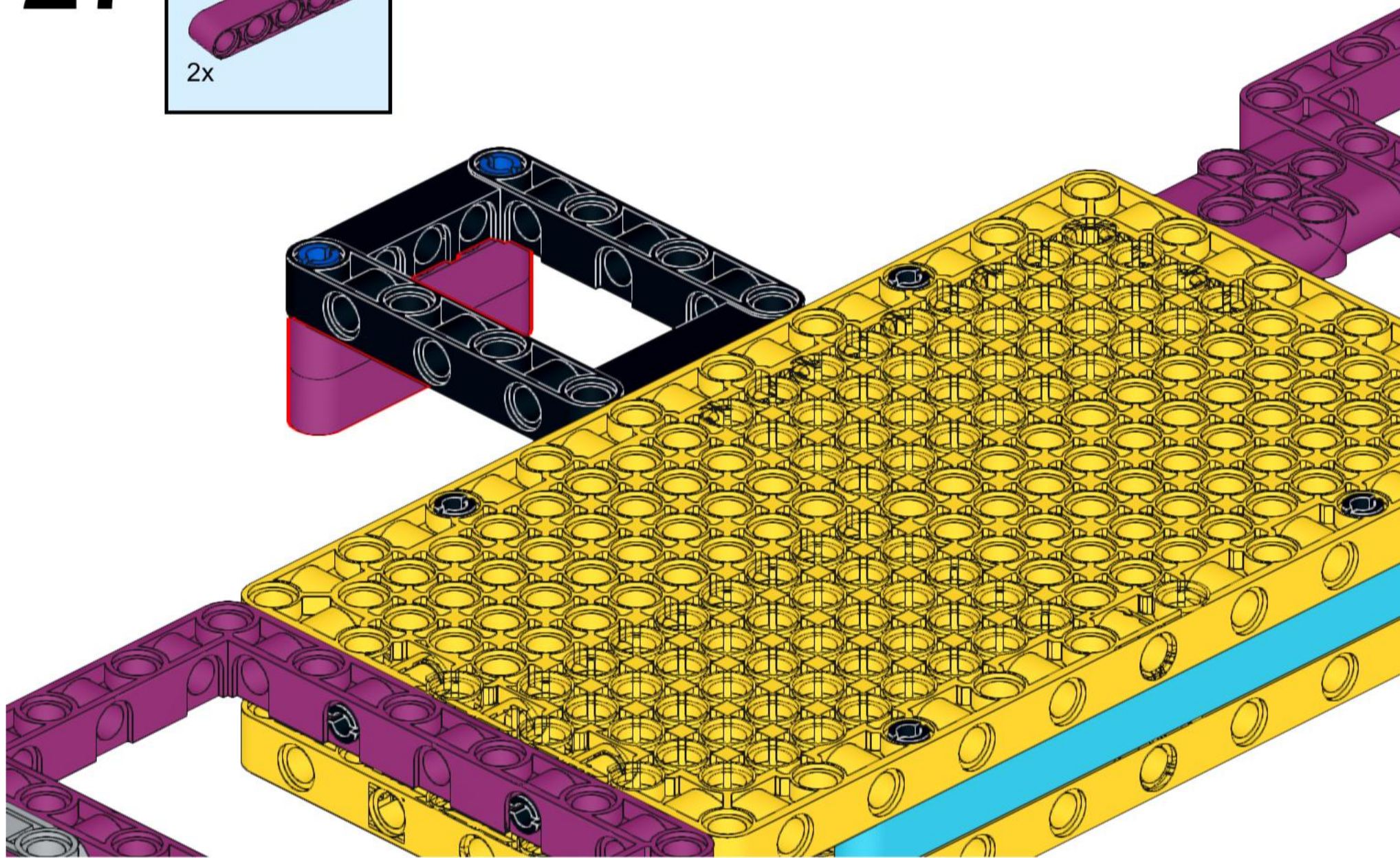
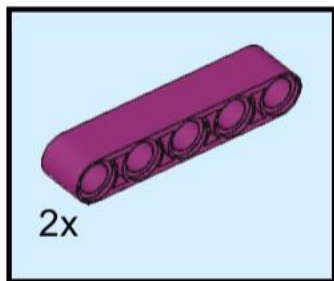
# 25



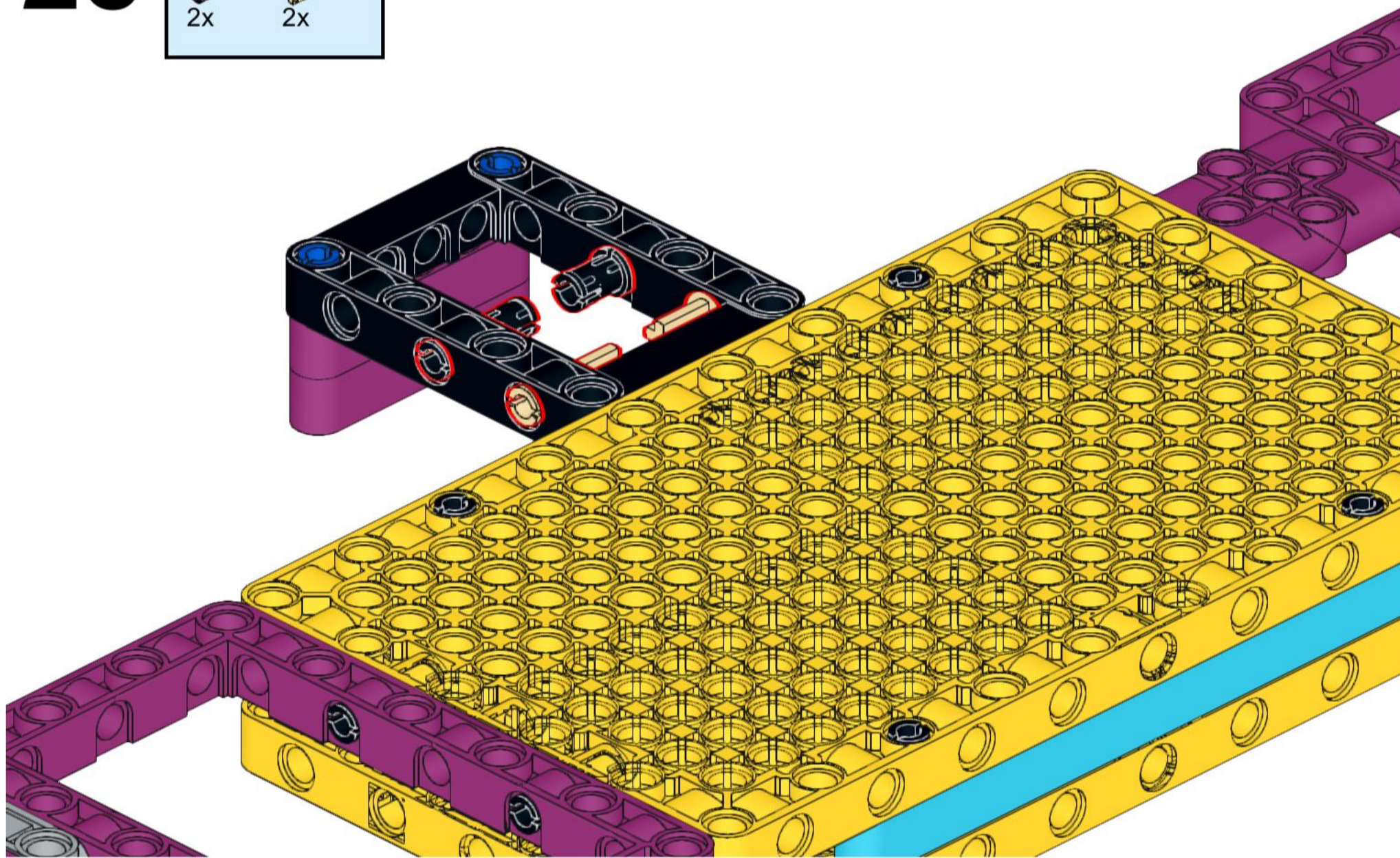
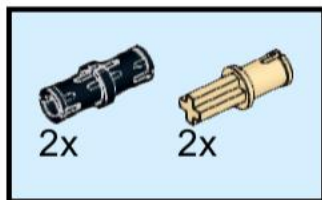
# 26



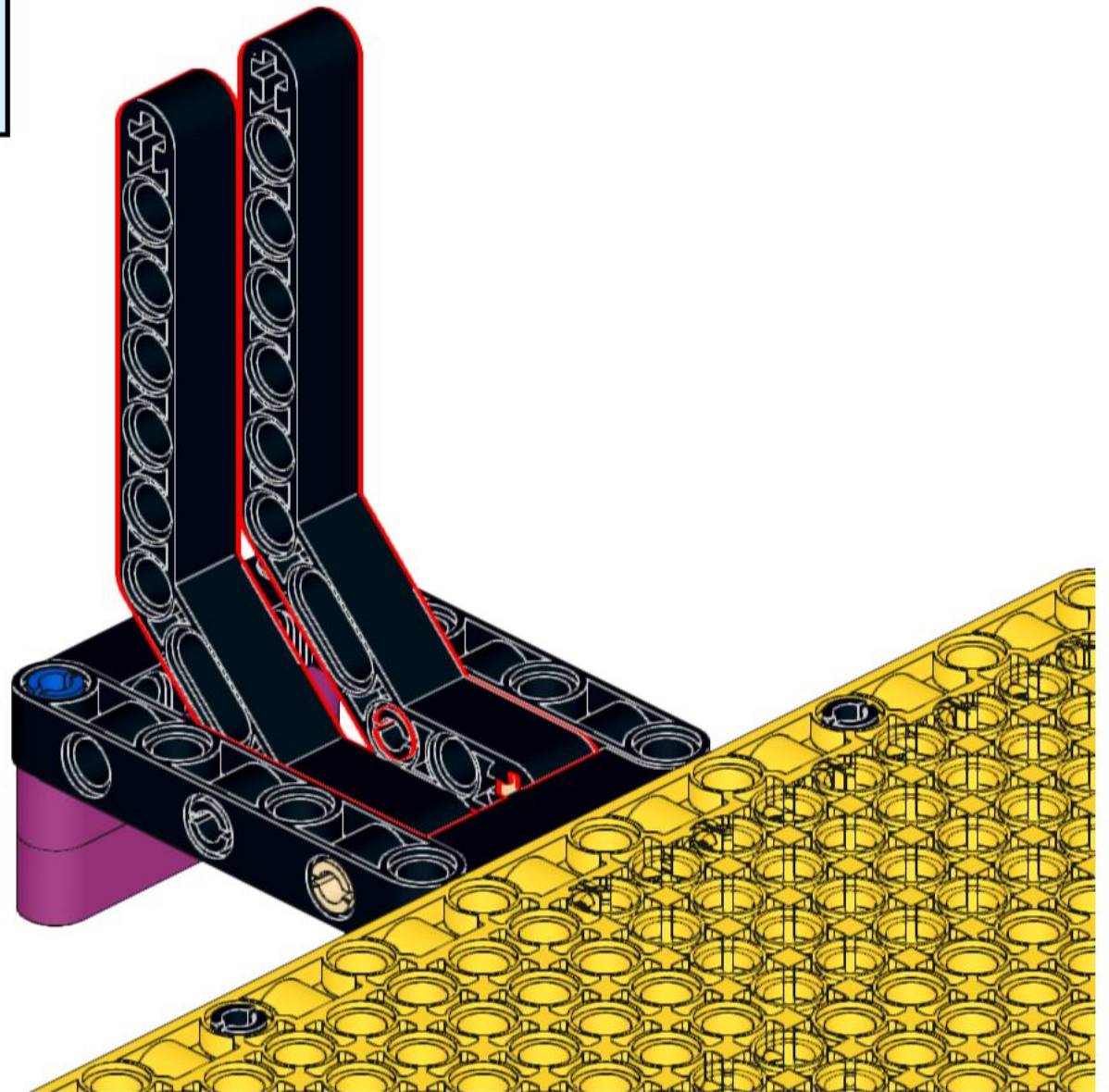
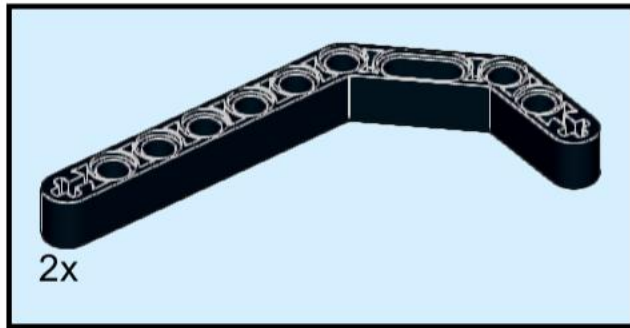
# 27



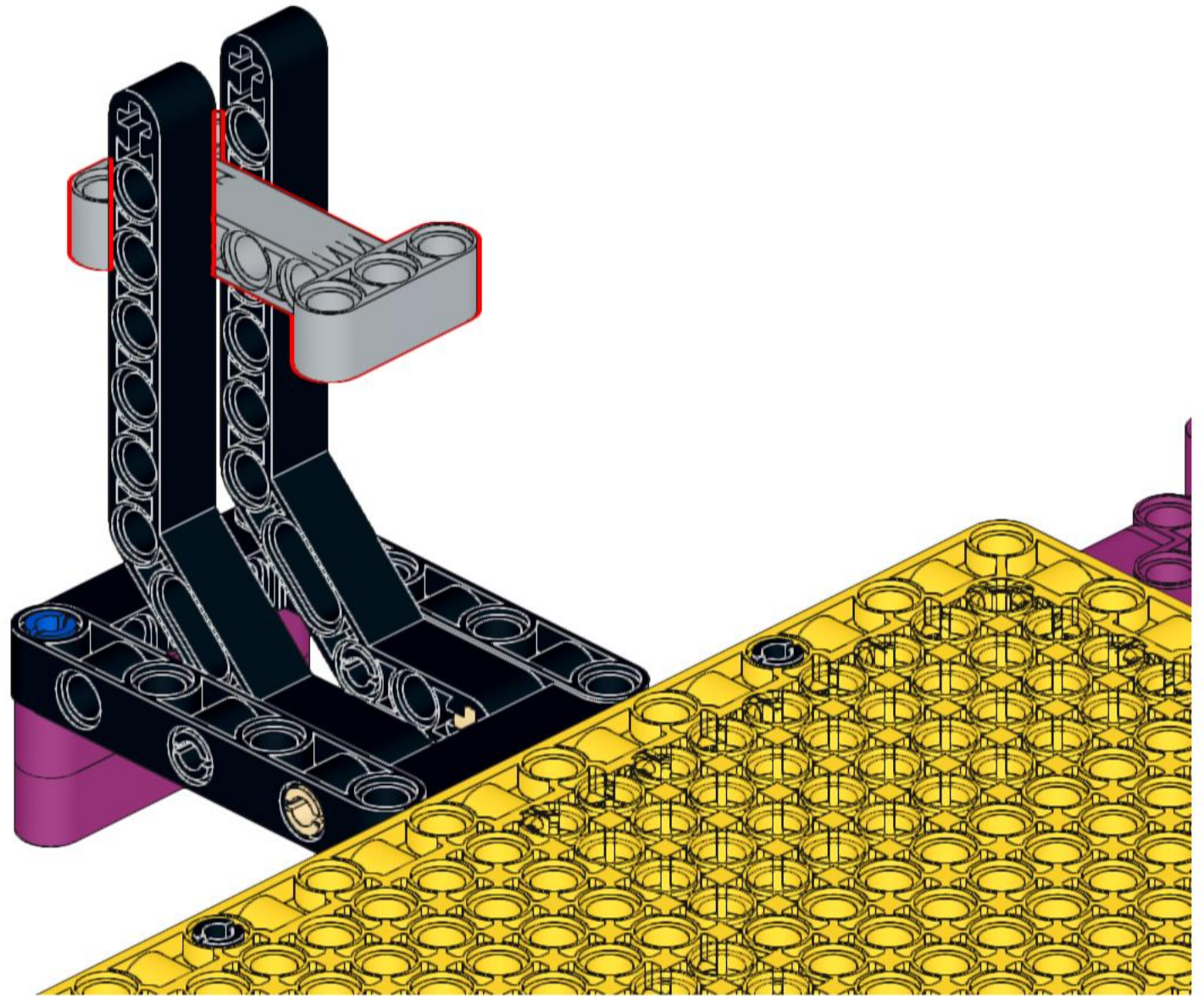
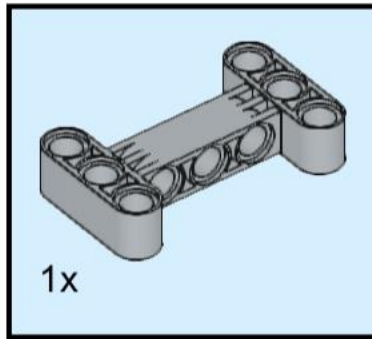
# 28



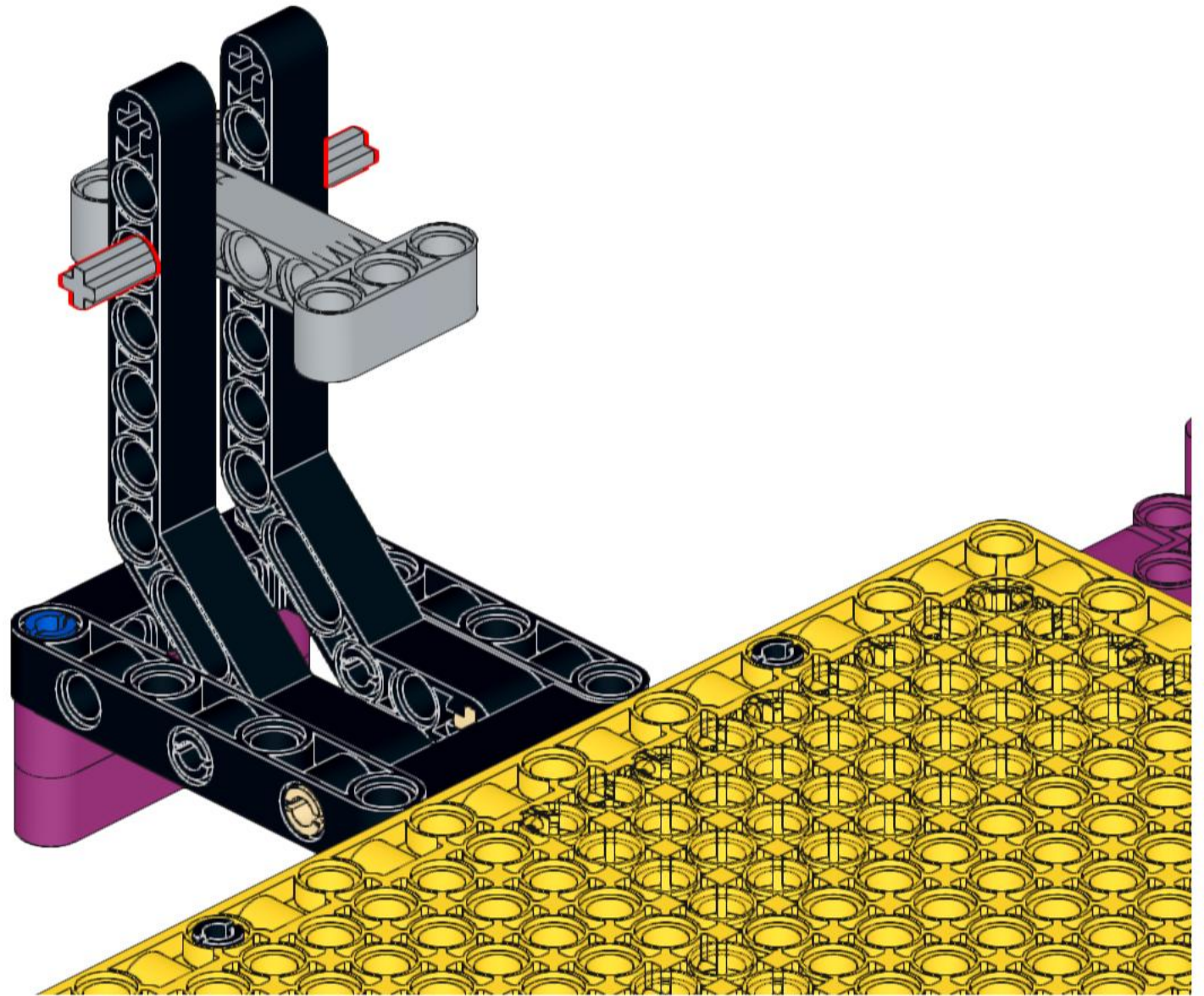
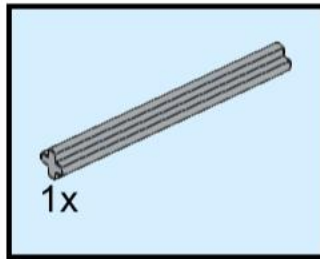
# 29



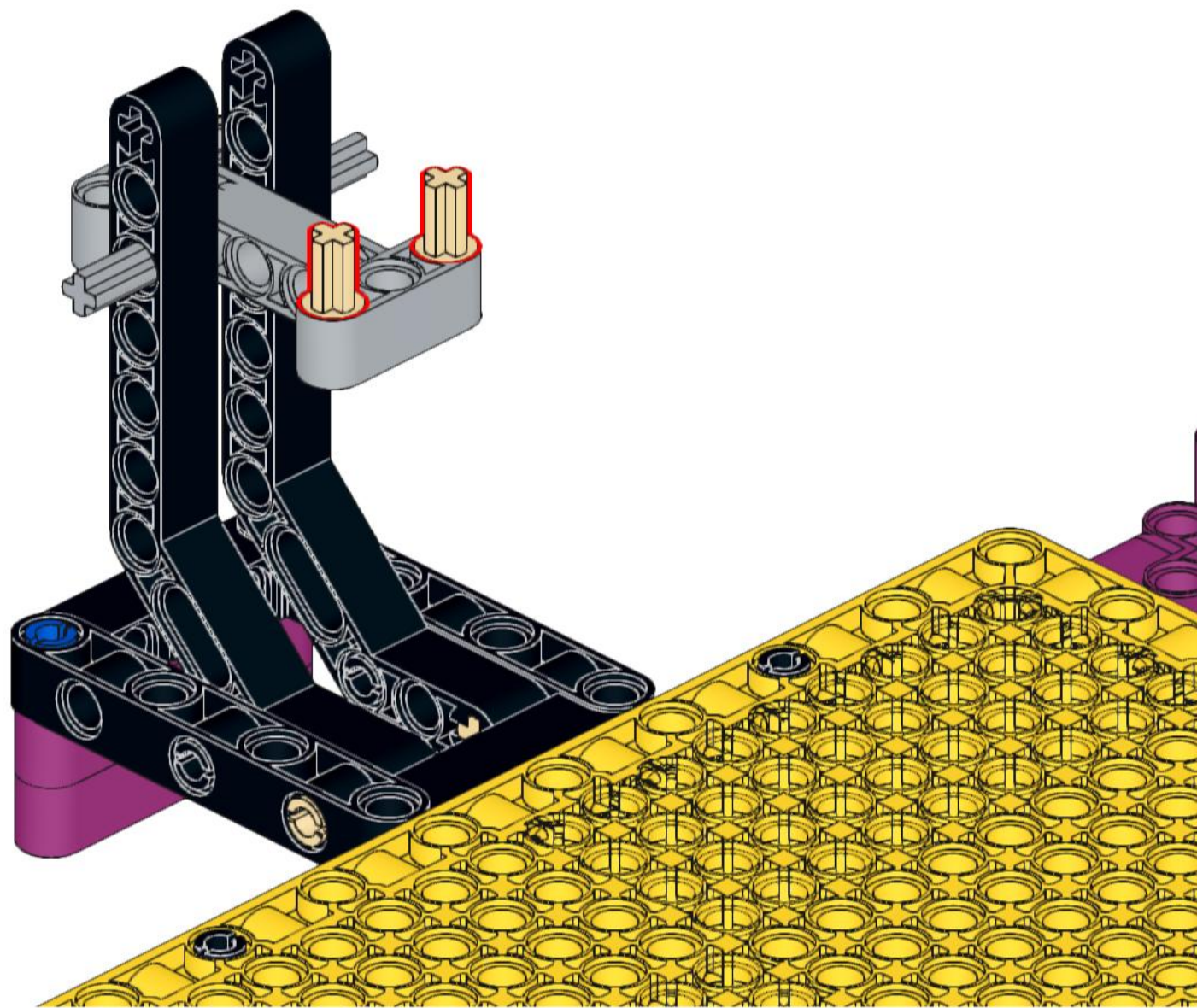
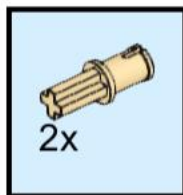
# 30



# 31

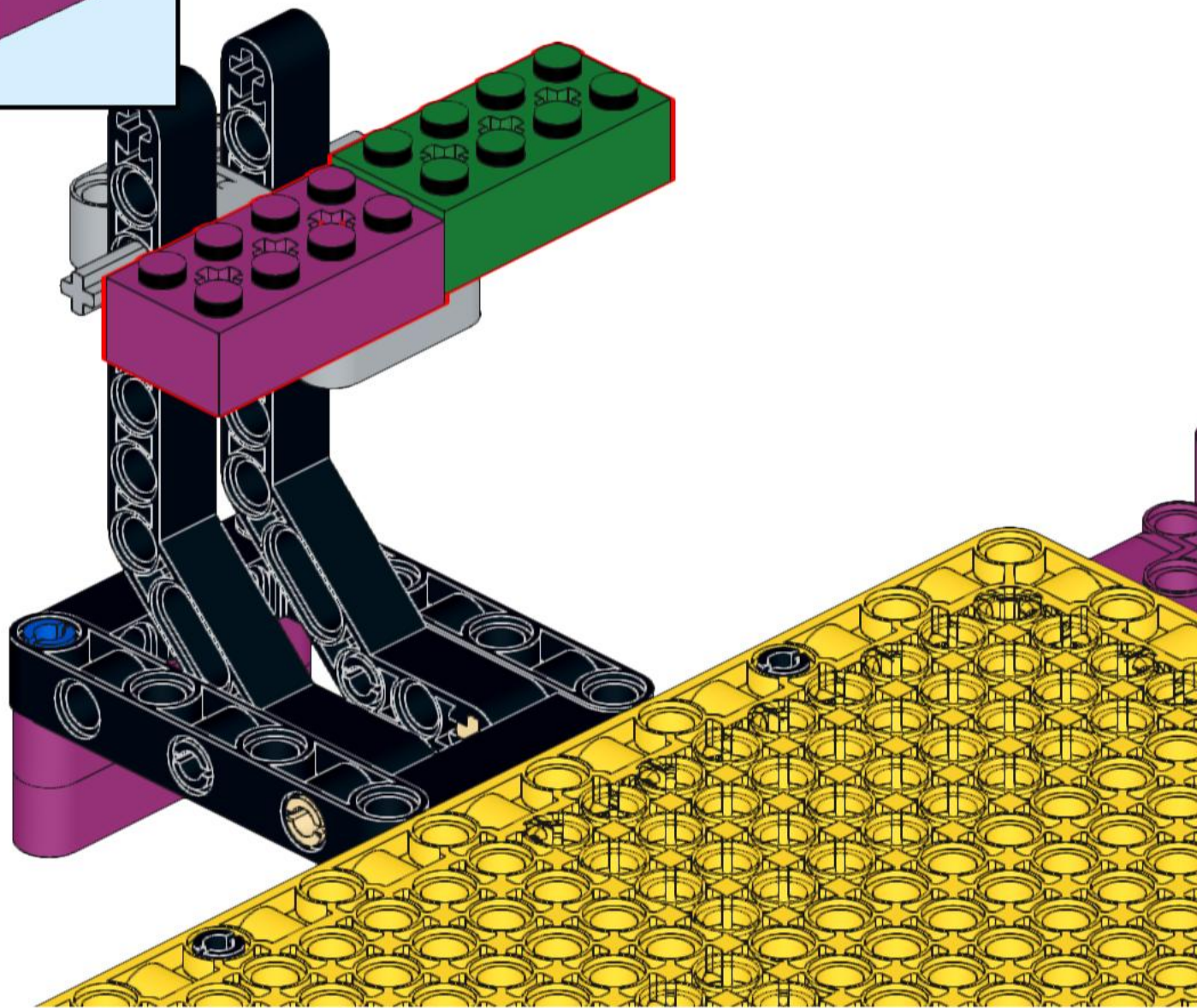
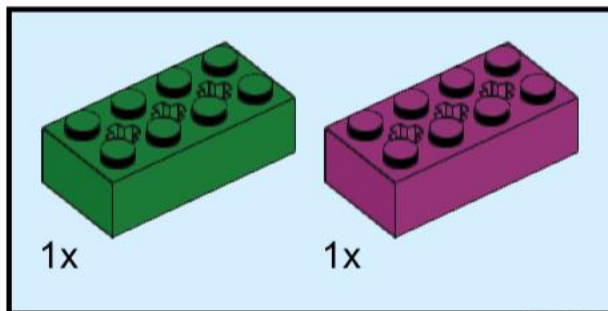


# 32

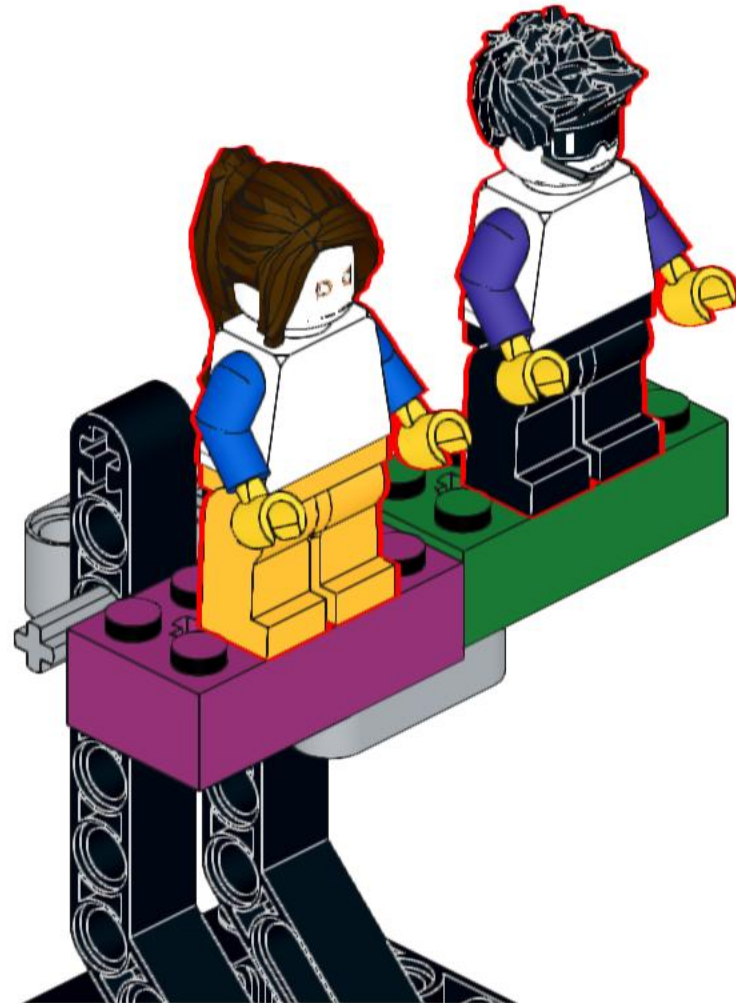
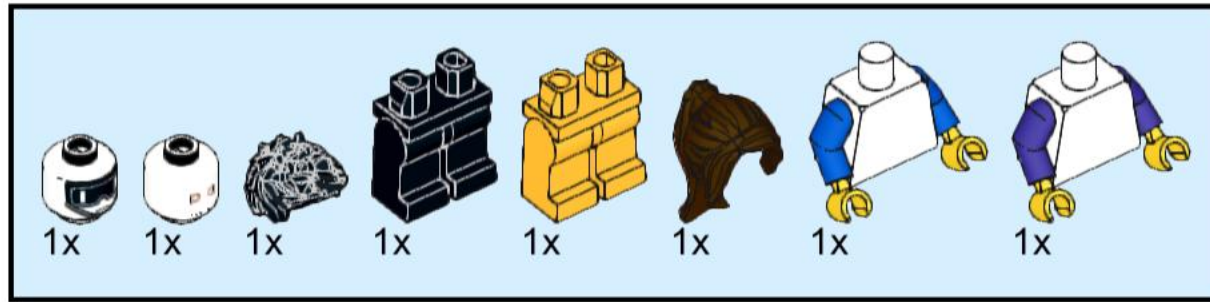




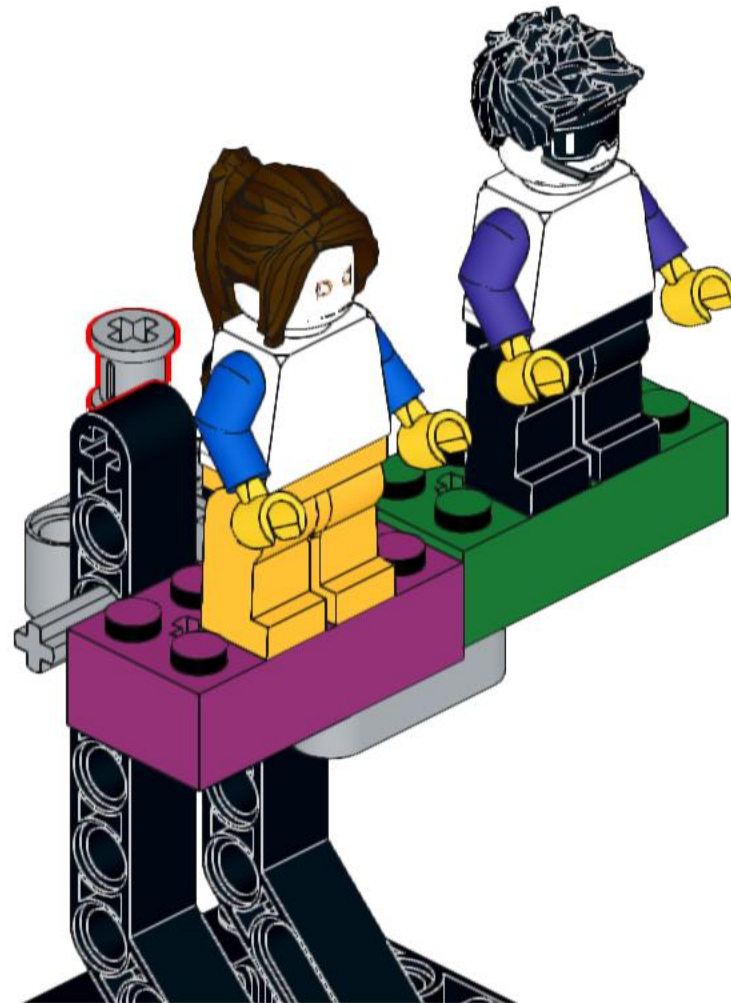
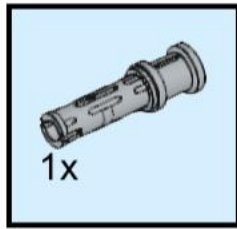
# 33



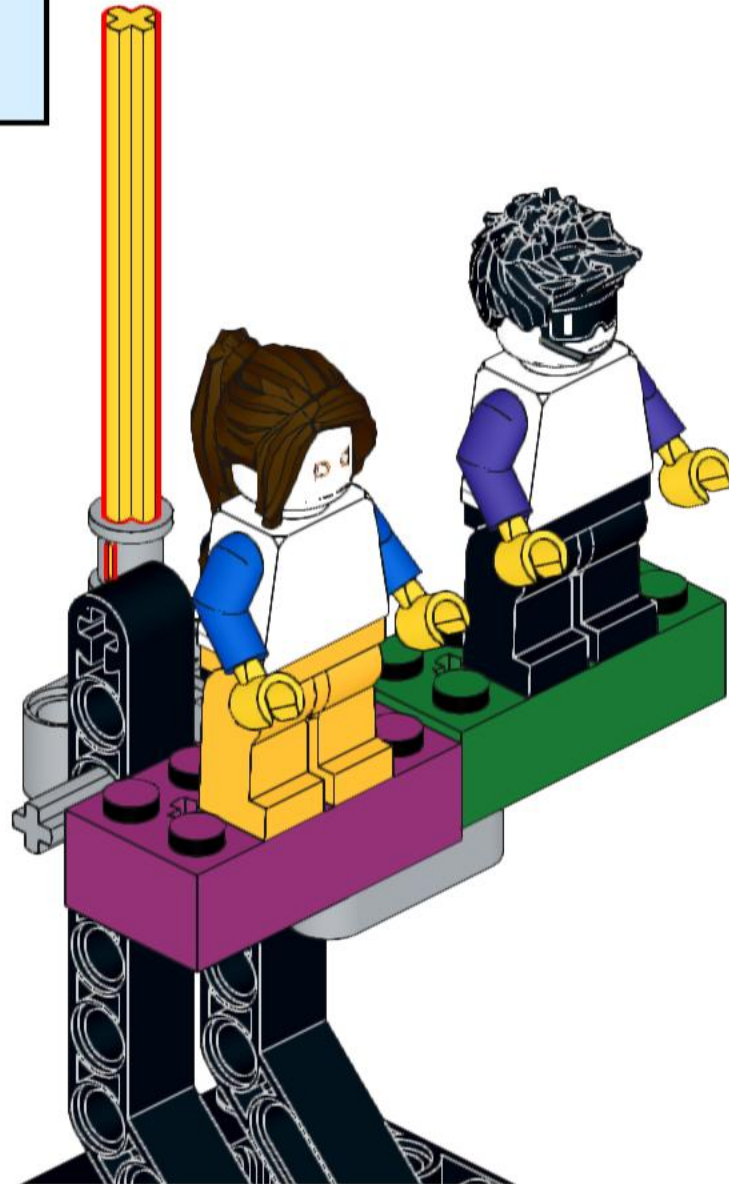
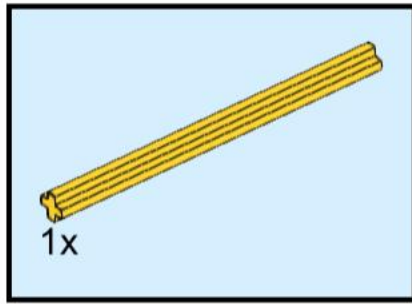
# 34



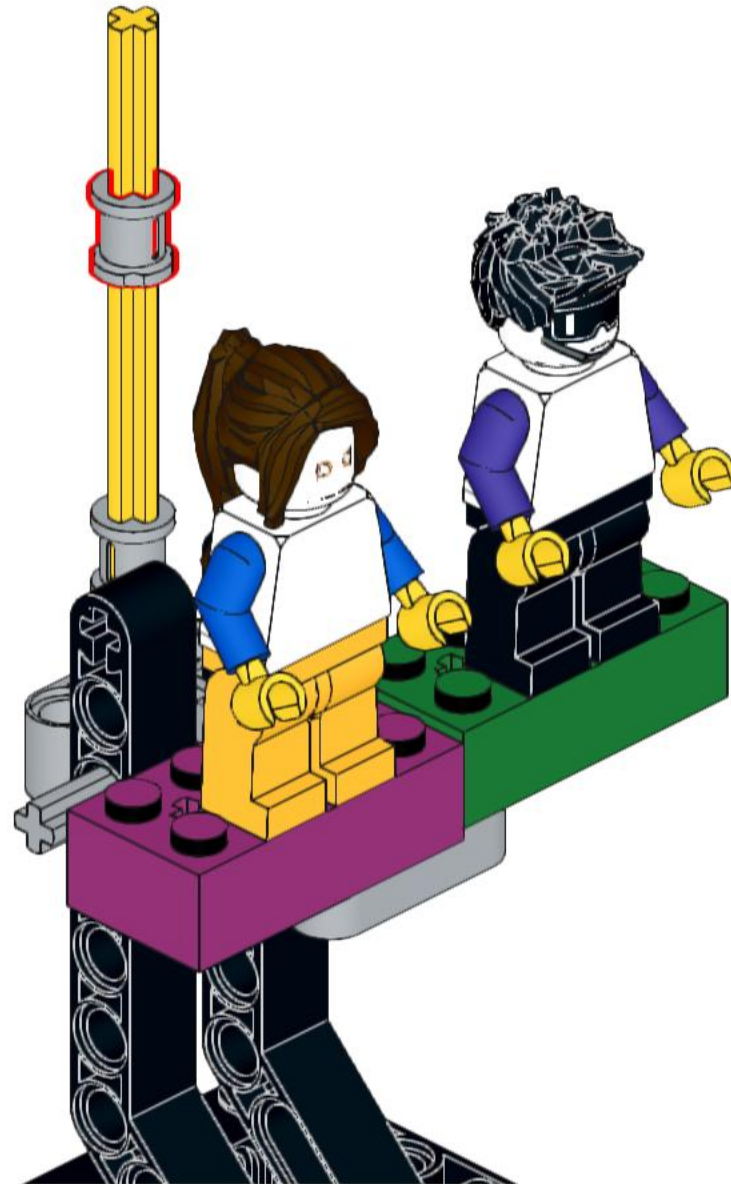
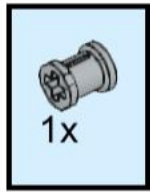
# 35



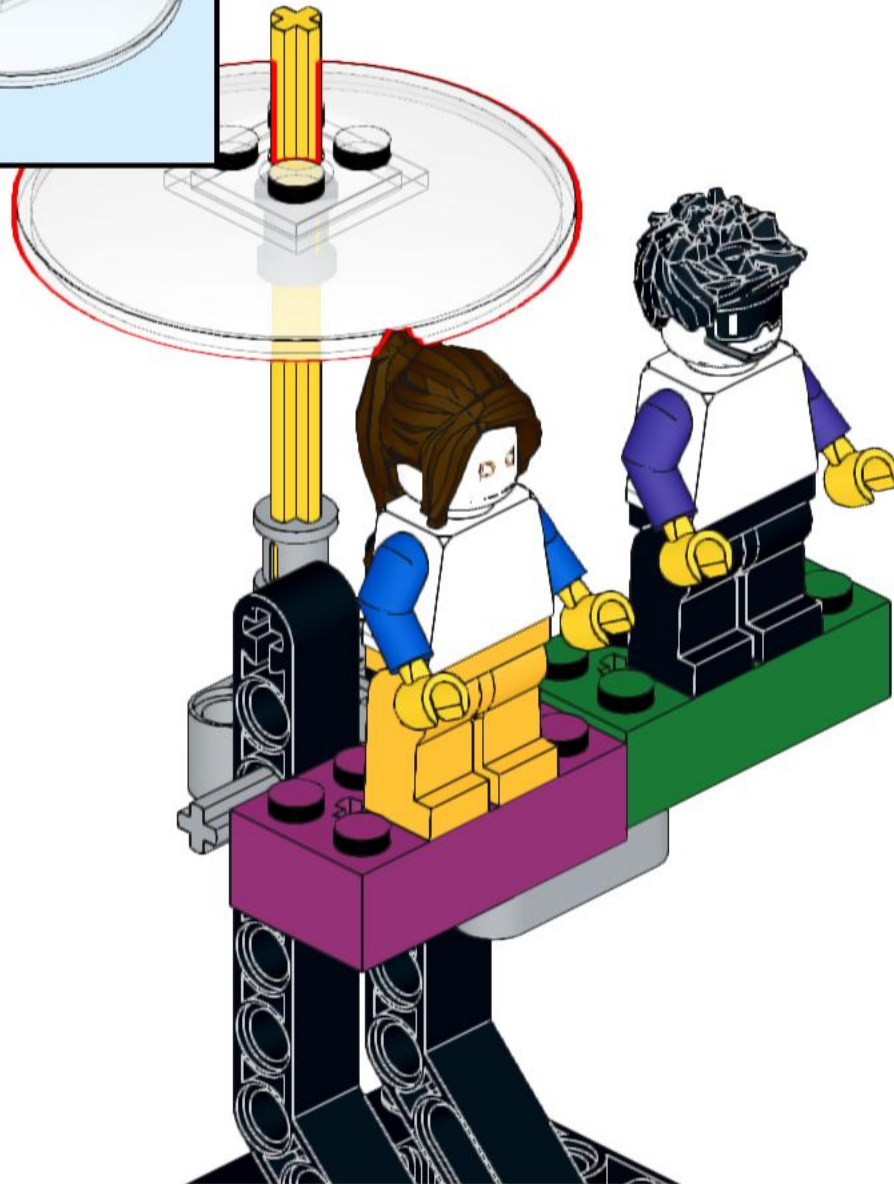
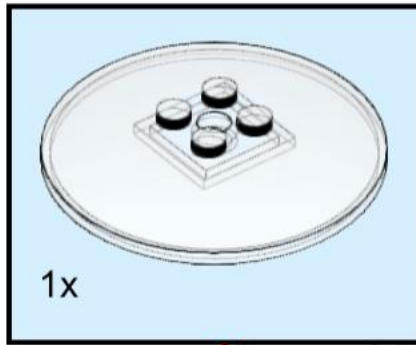
# 36



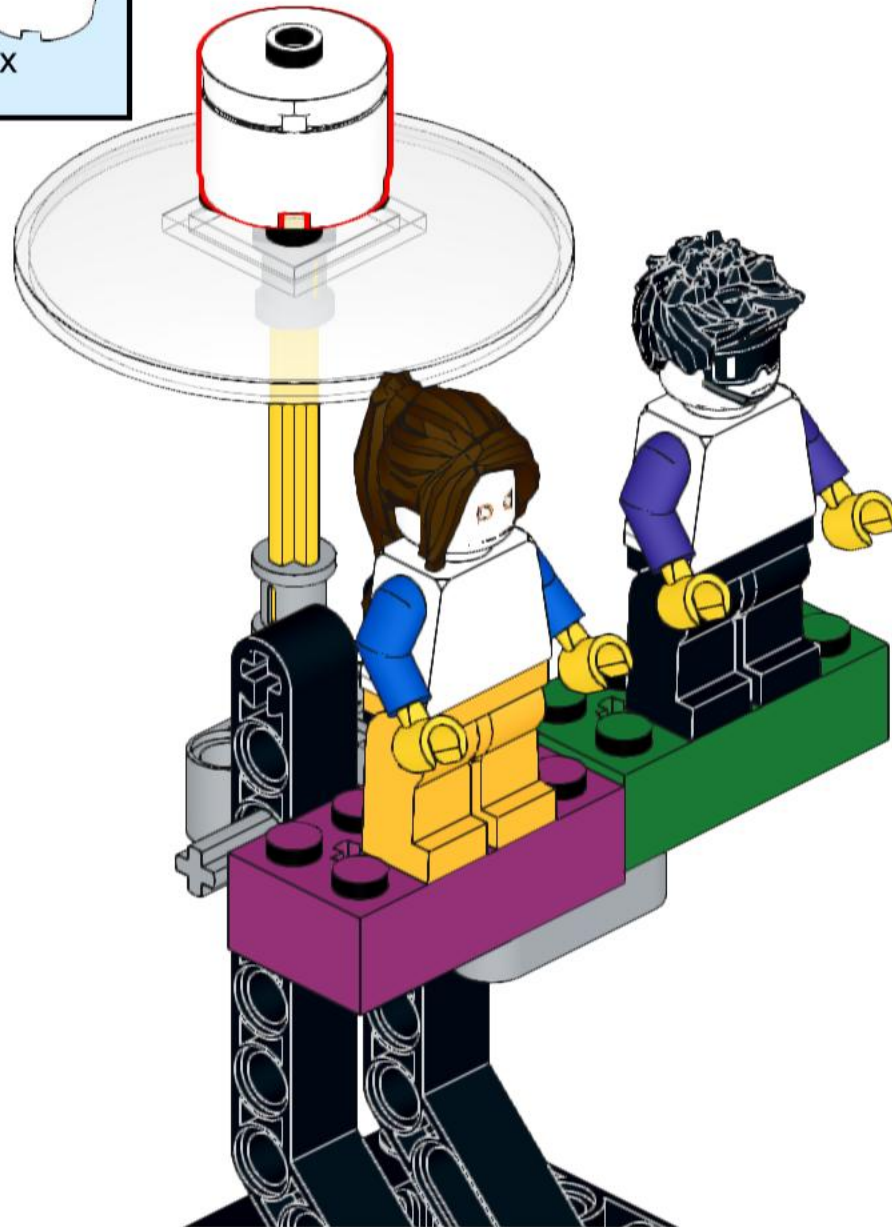
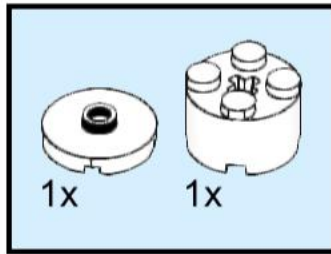
# 37



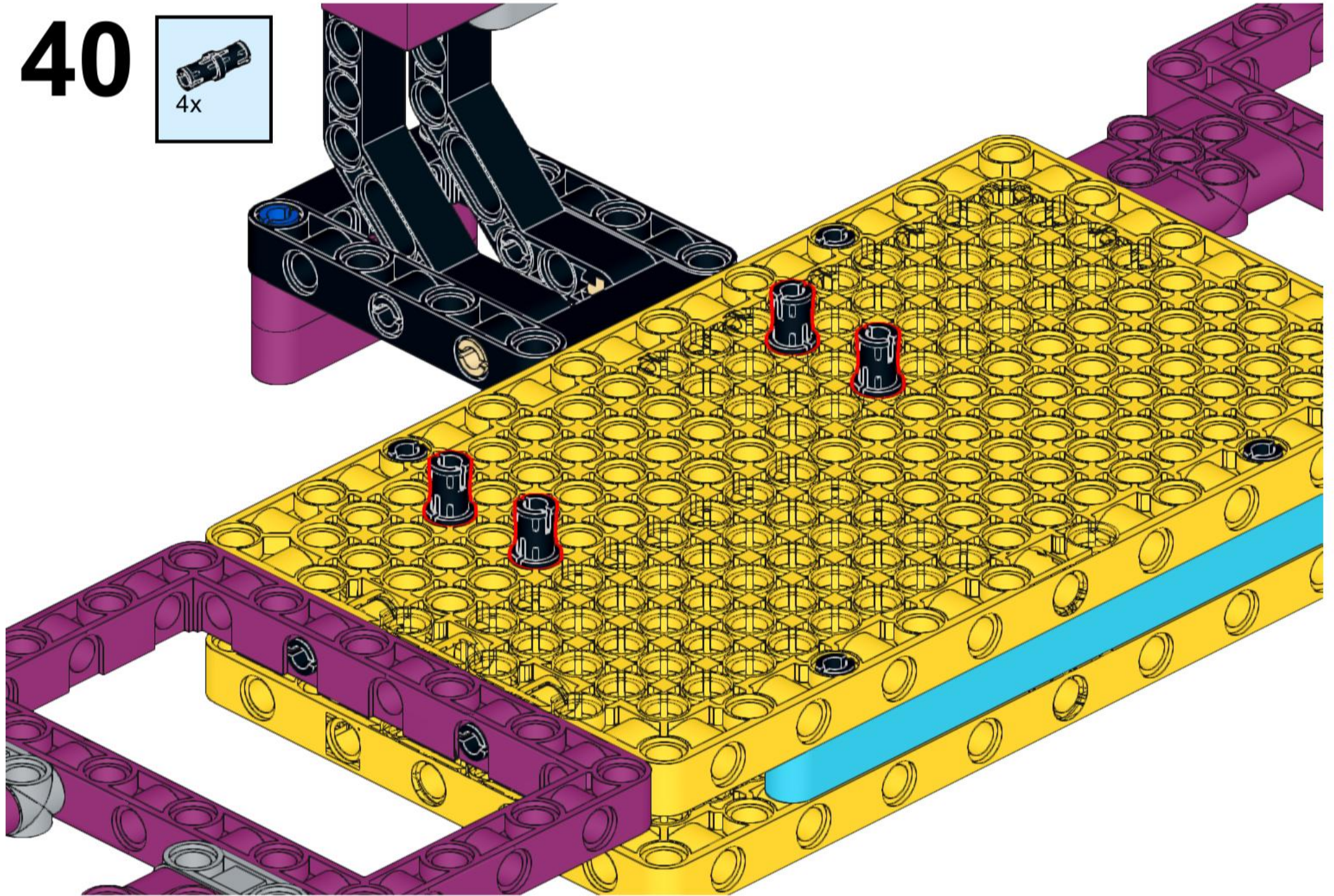
# 38



# 39

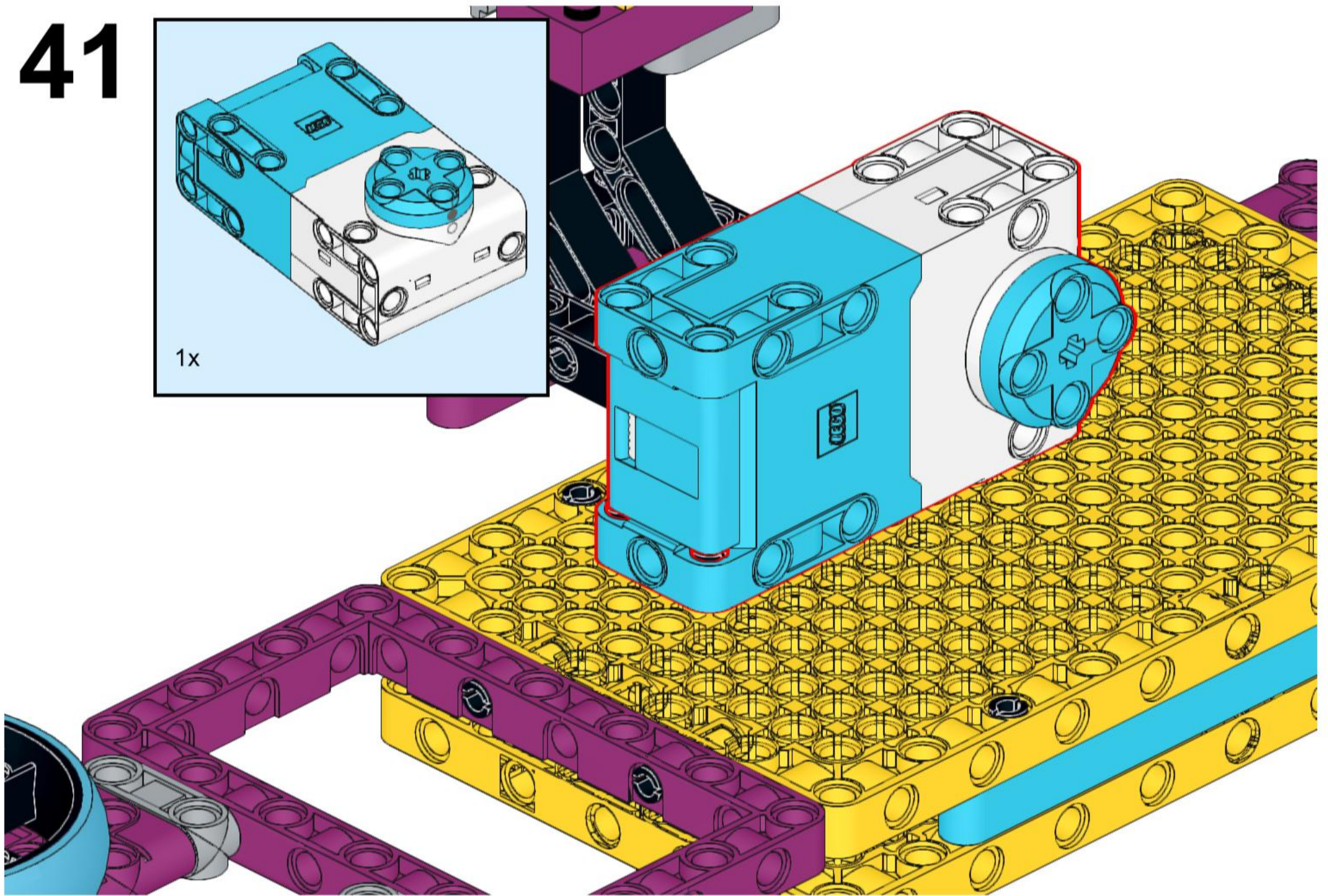
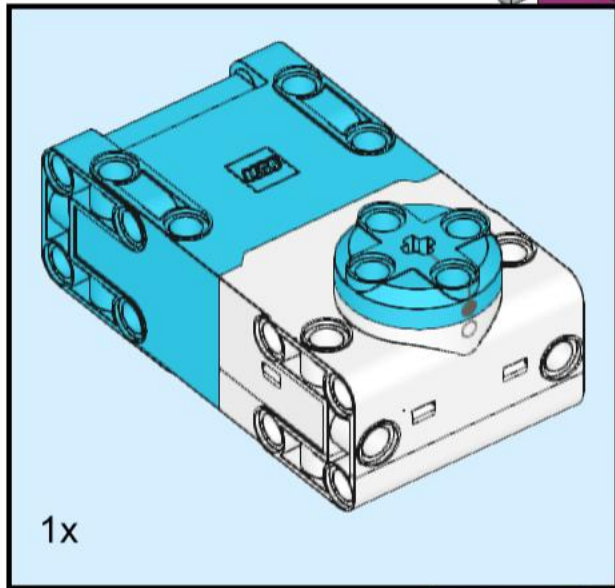


# 40

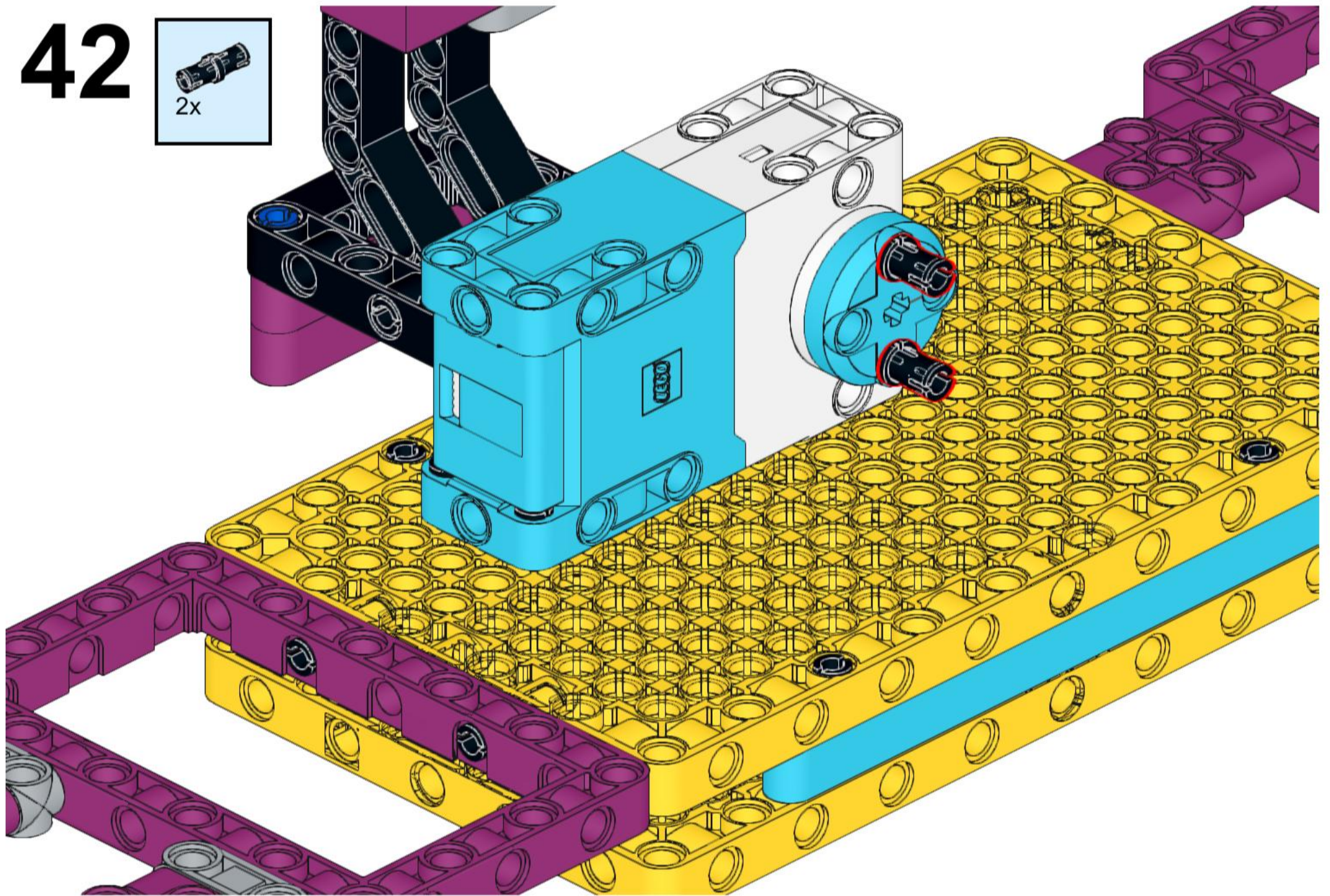




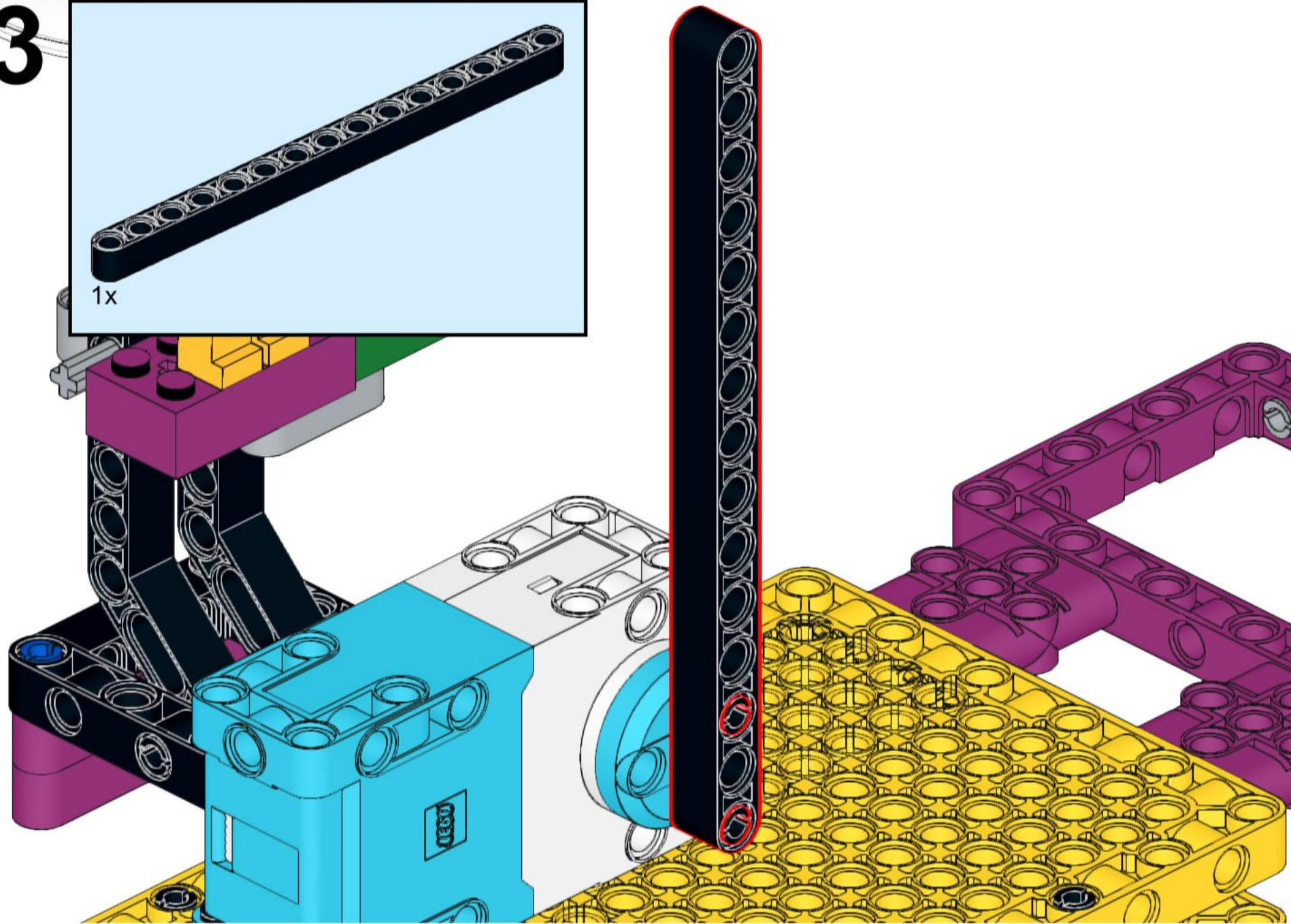
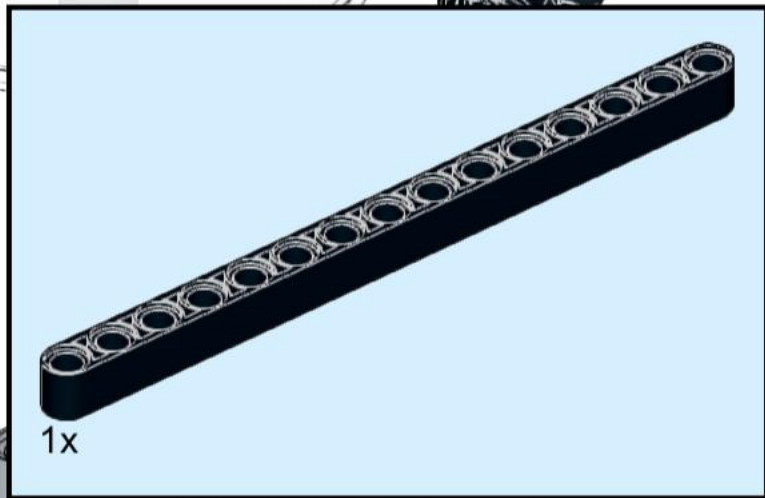
# 41

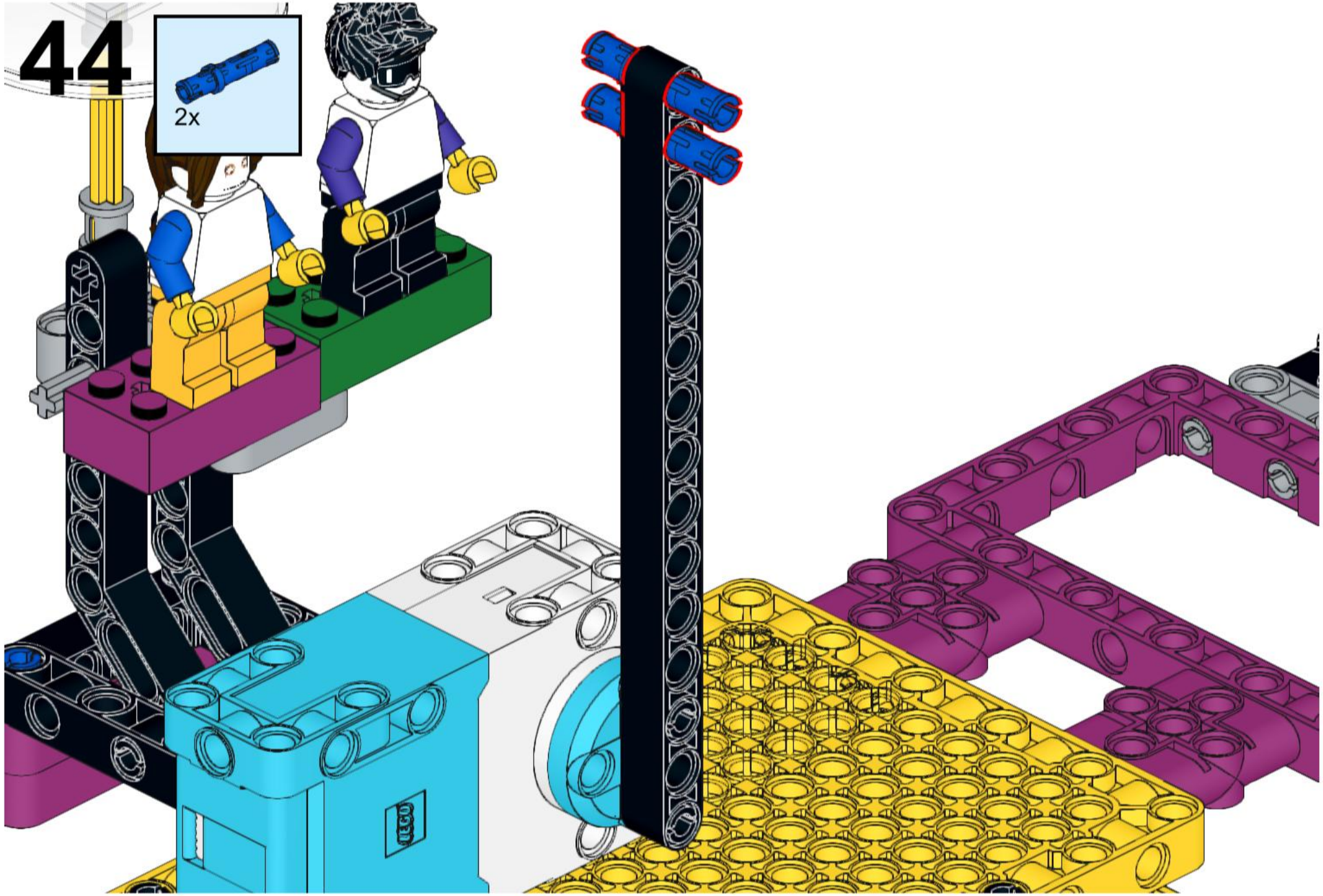


# 42



43

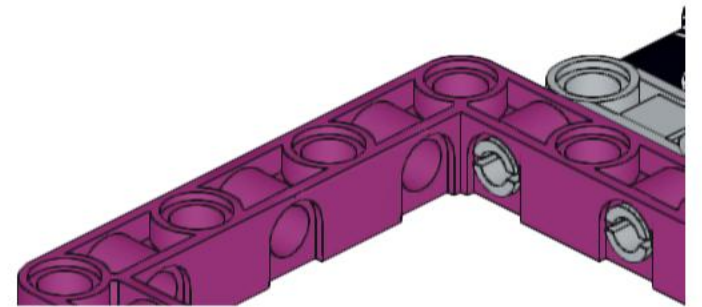
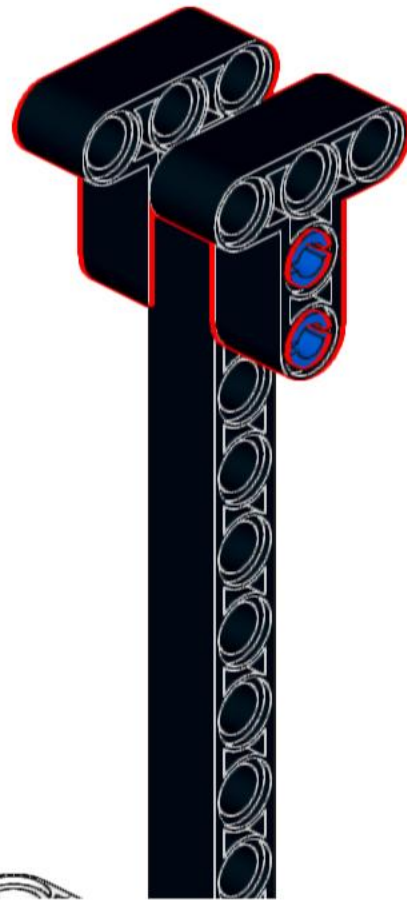
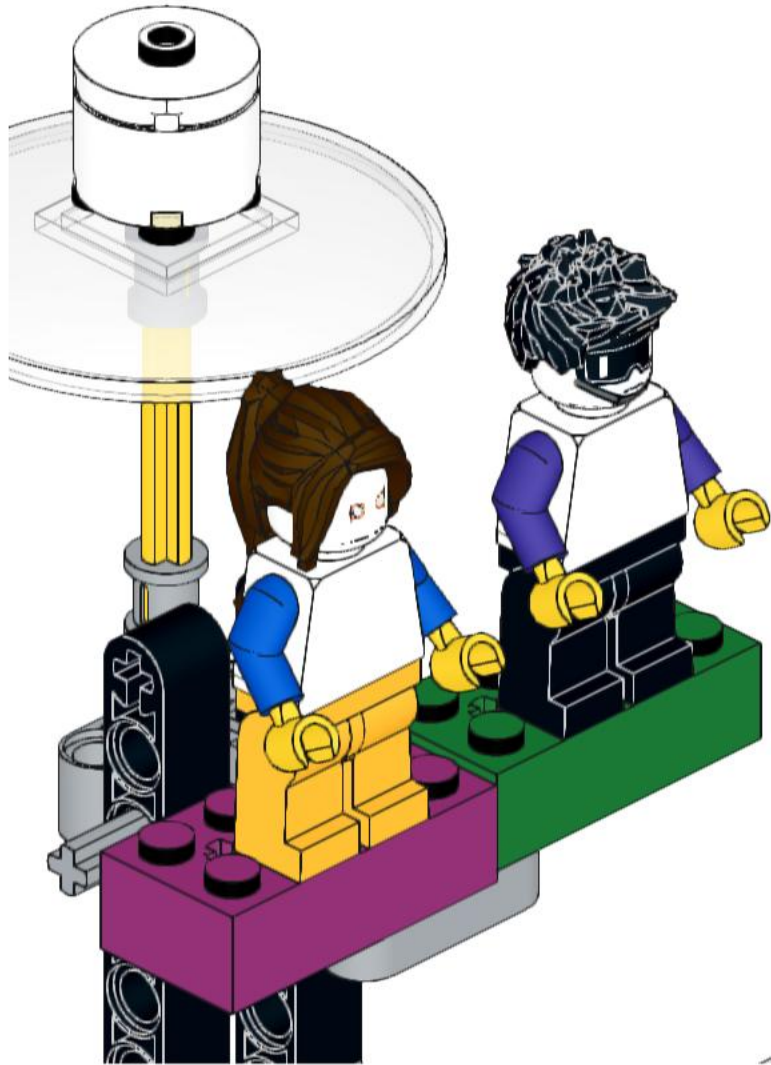
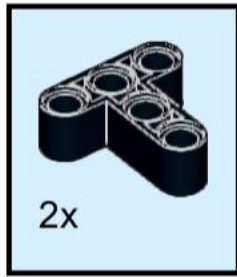




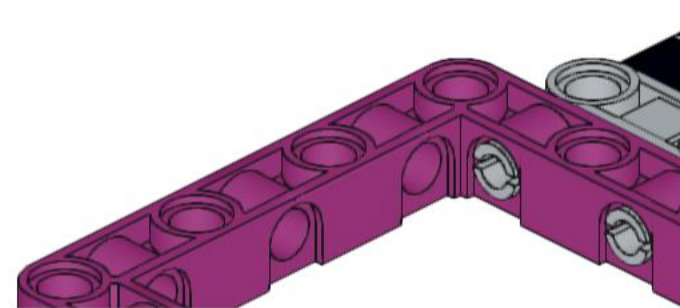
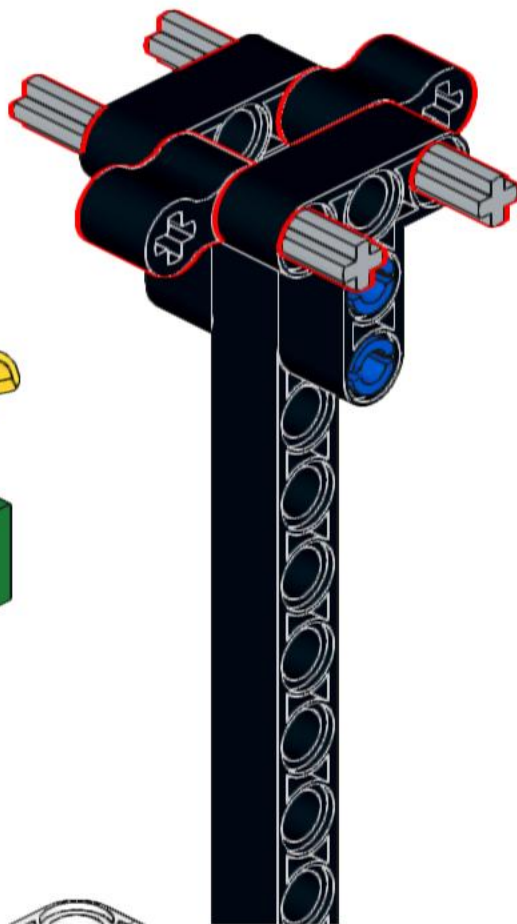
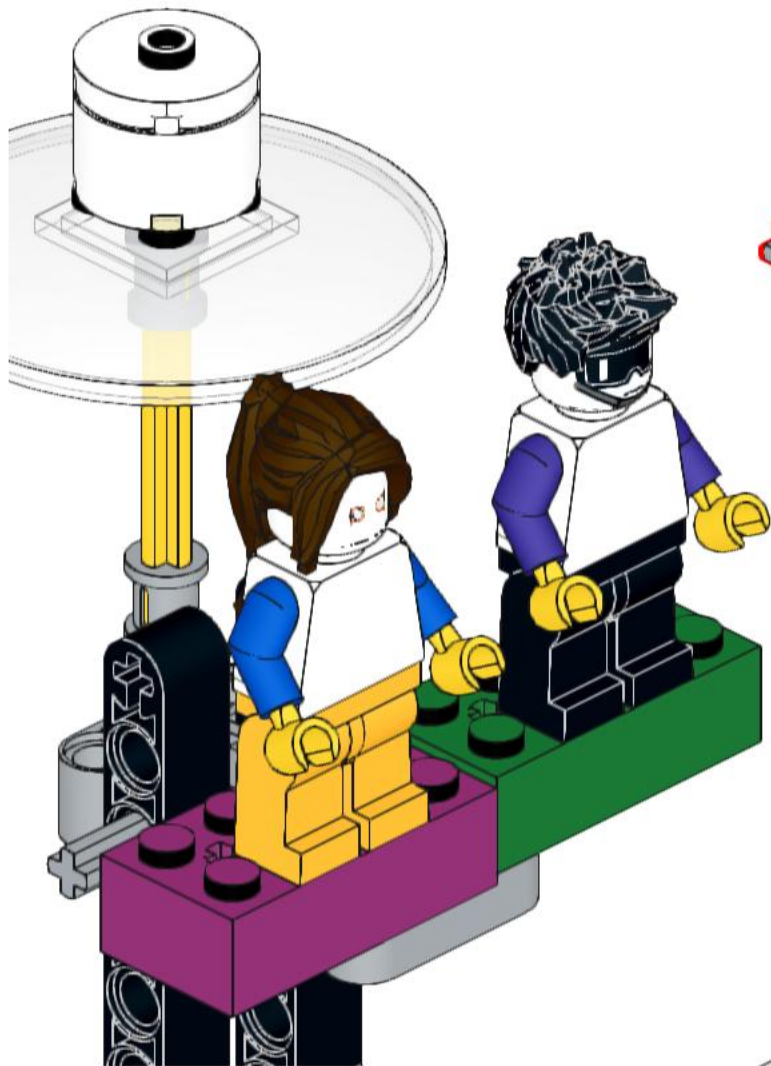
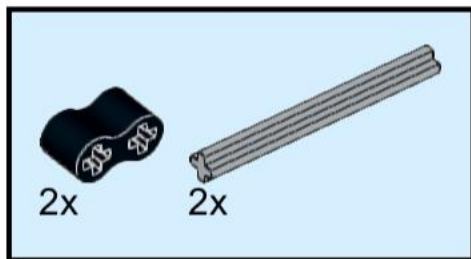
44

2x

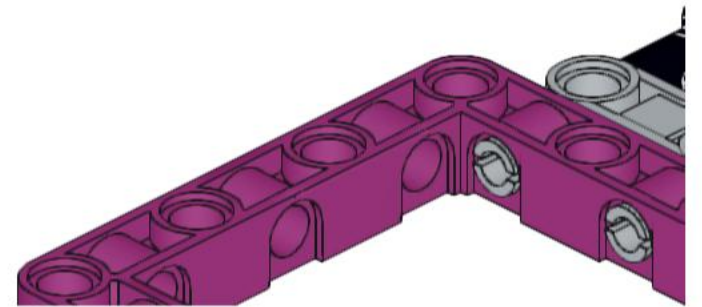
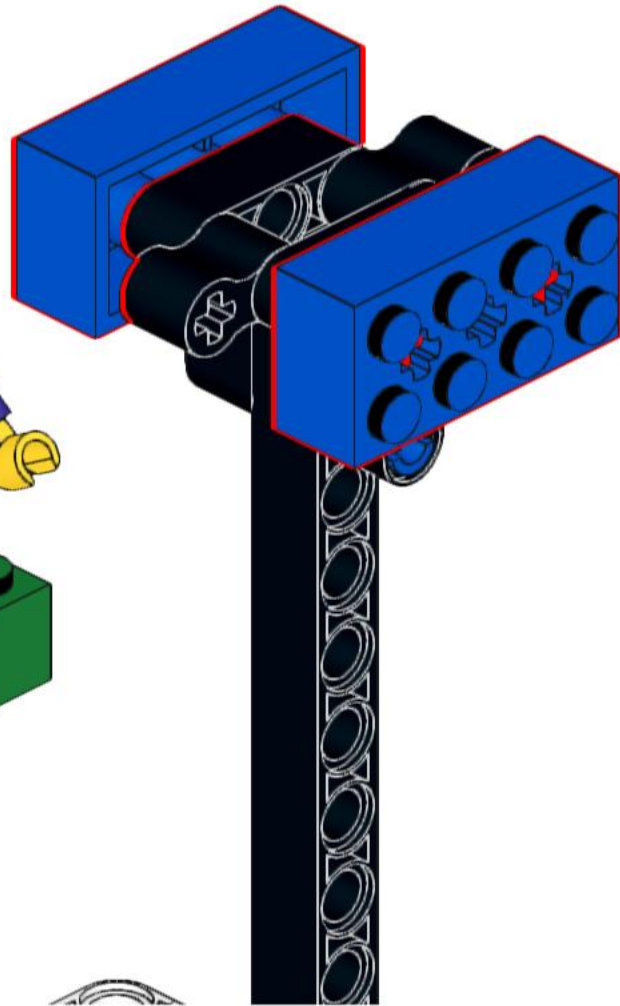
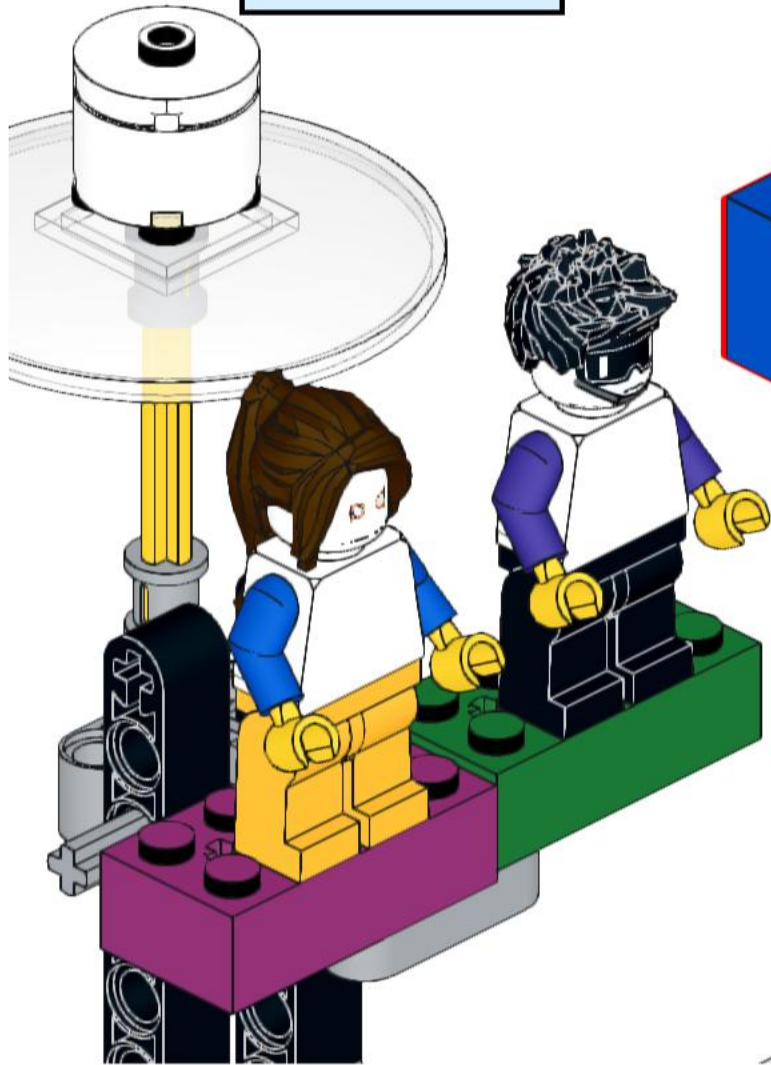
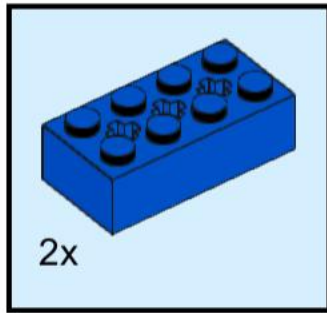
45

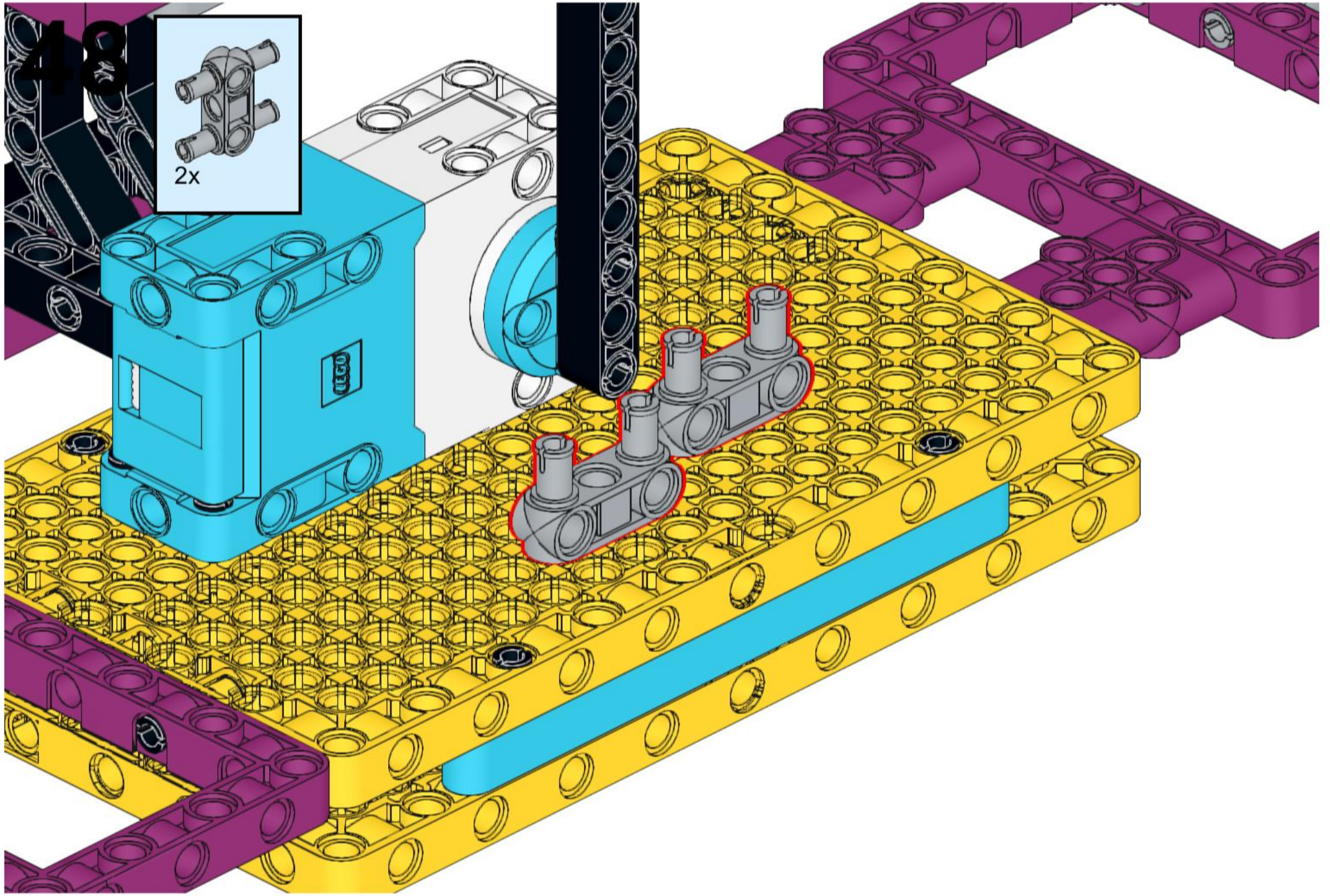


# 46

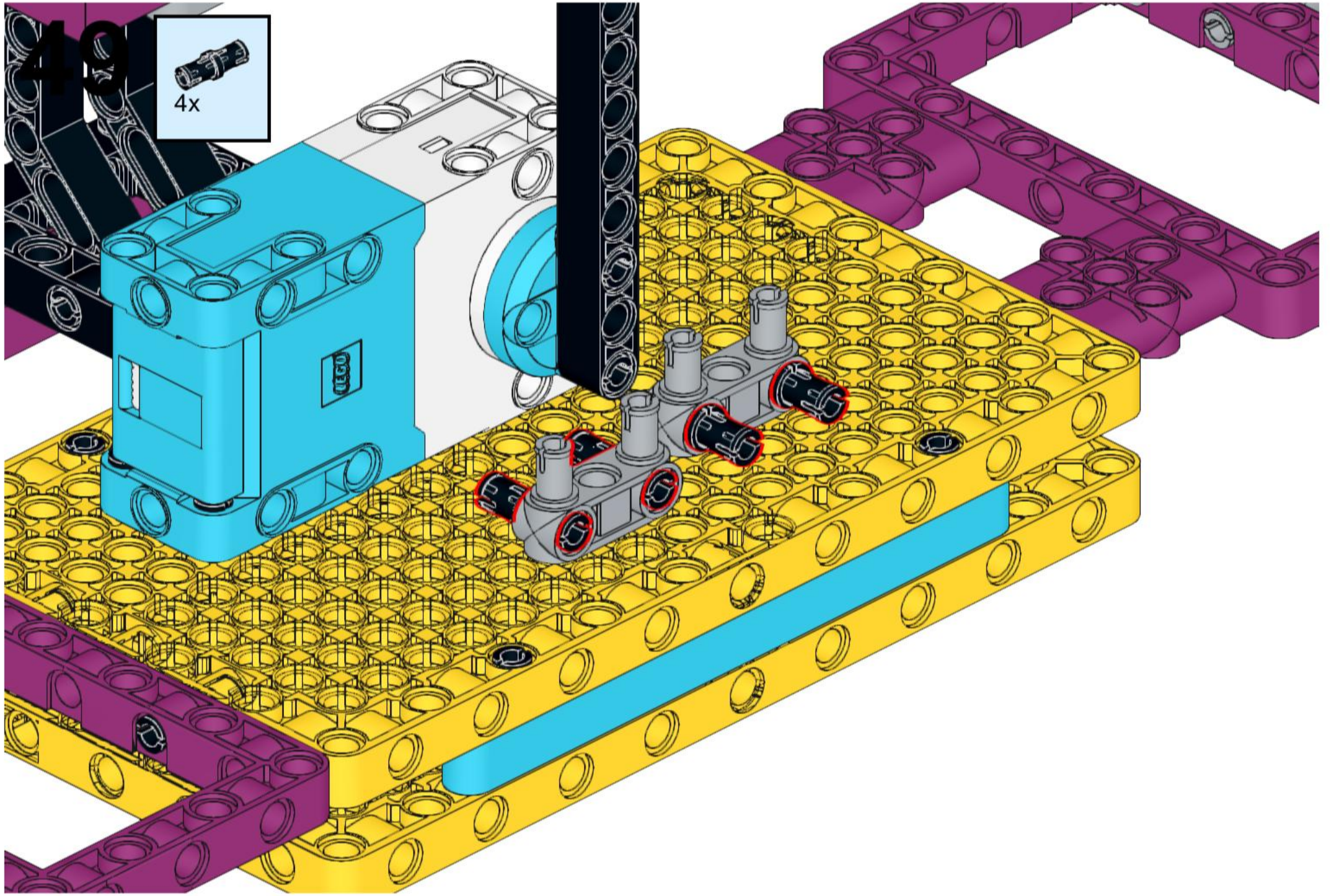


47

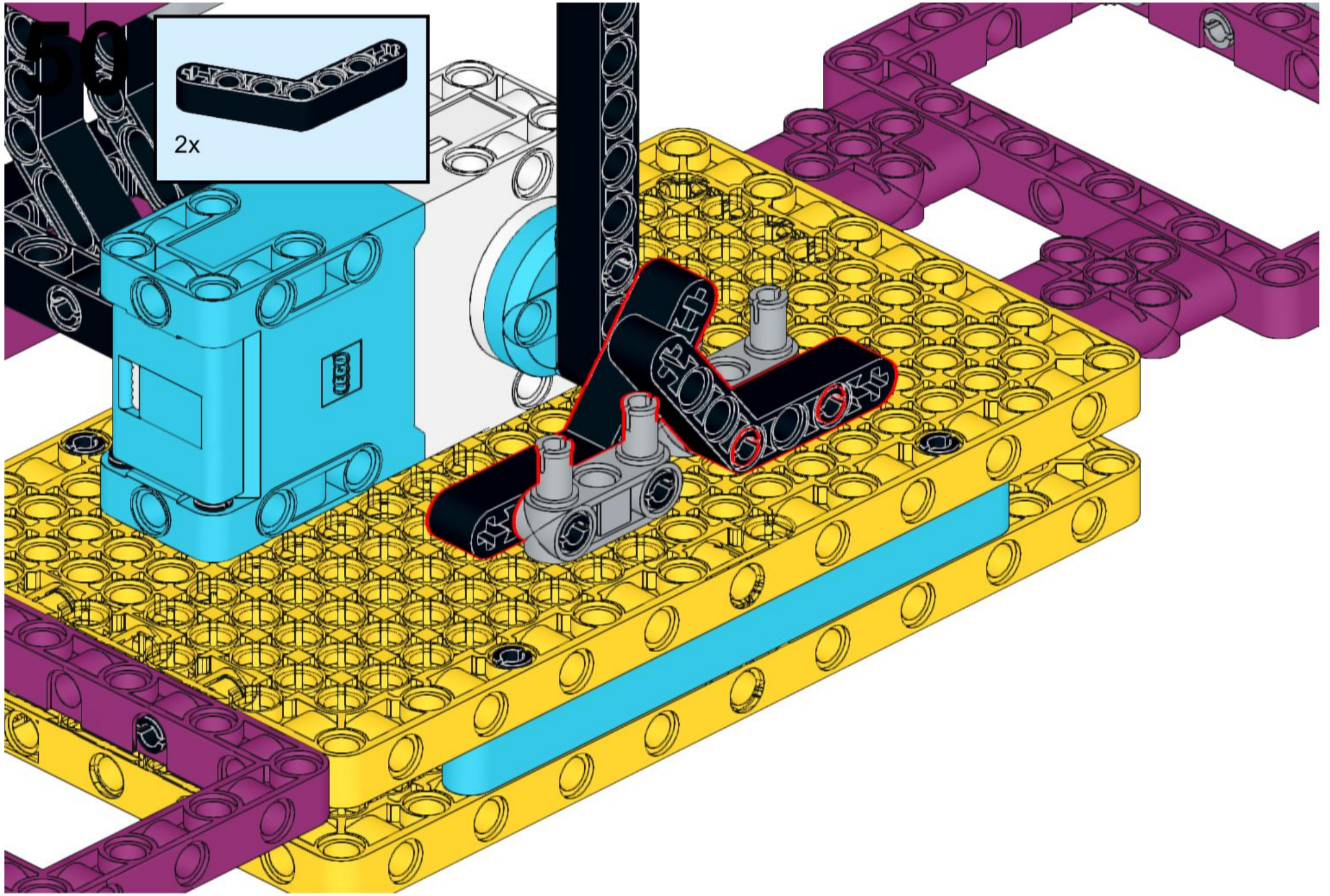




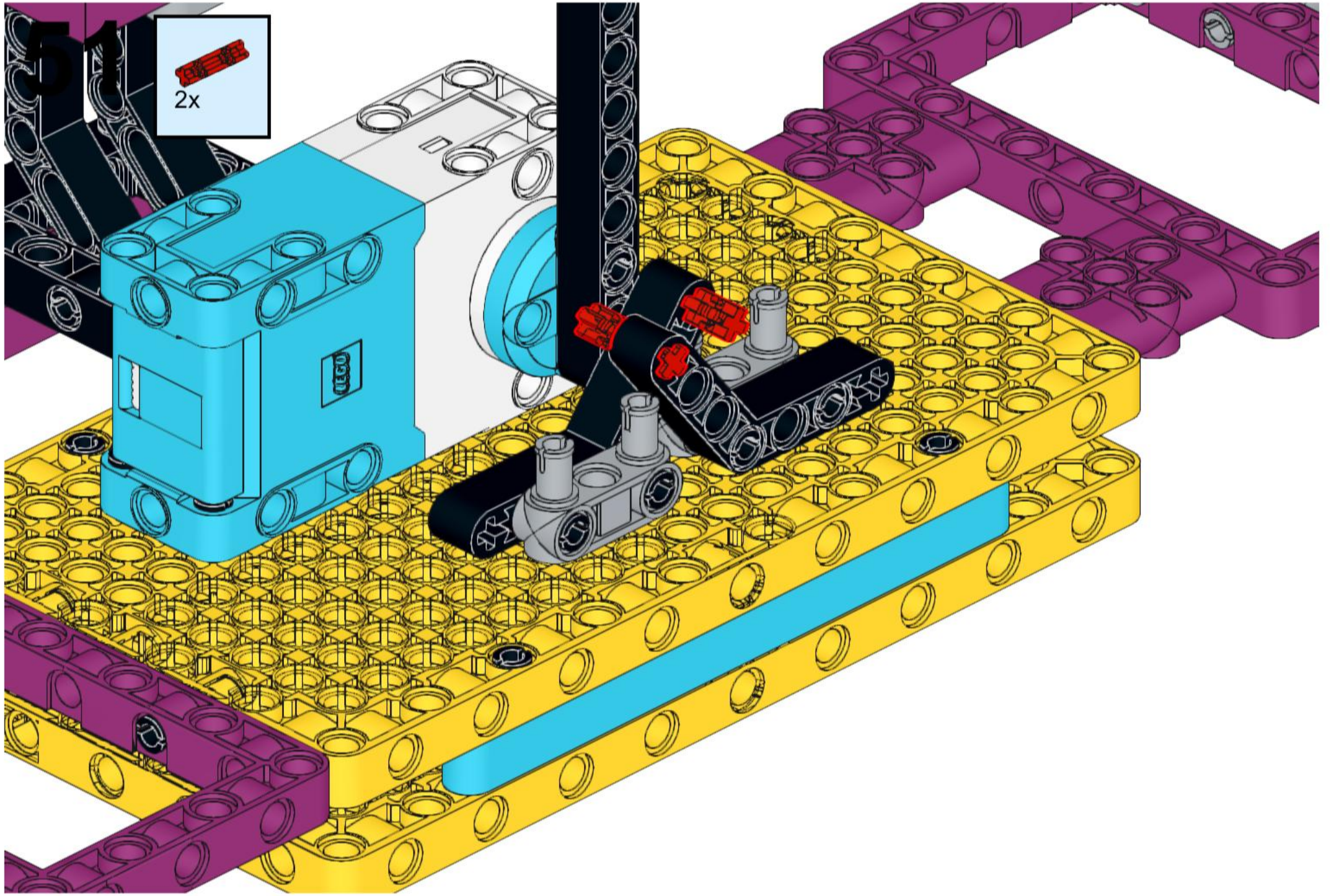




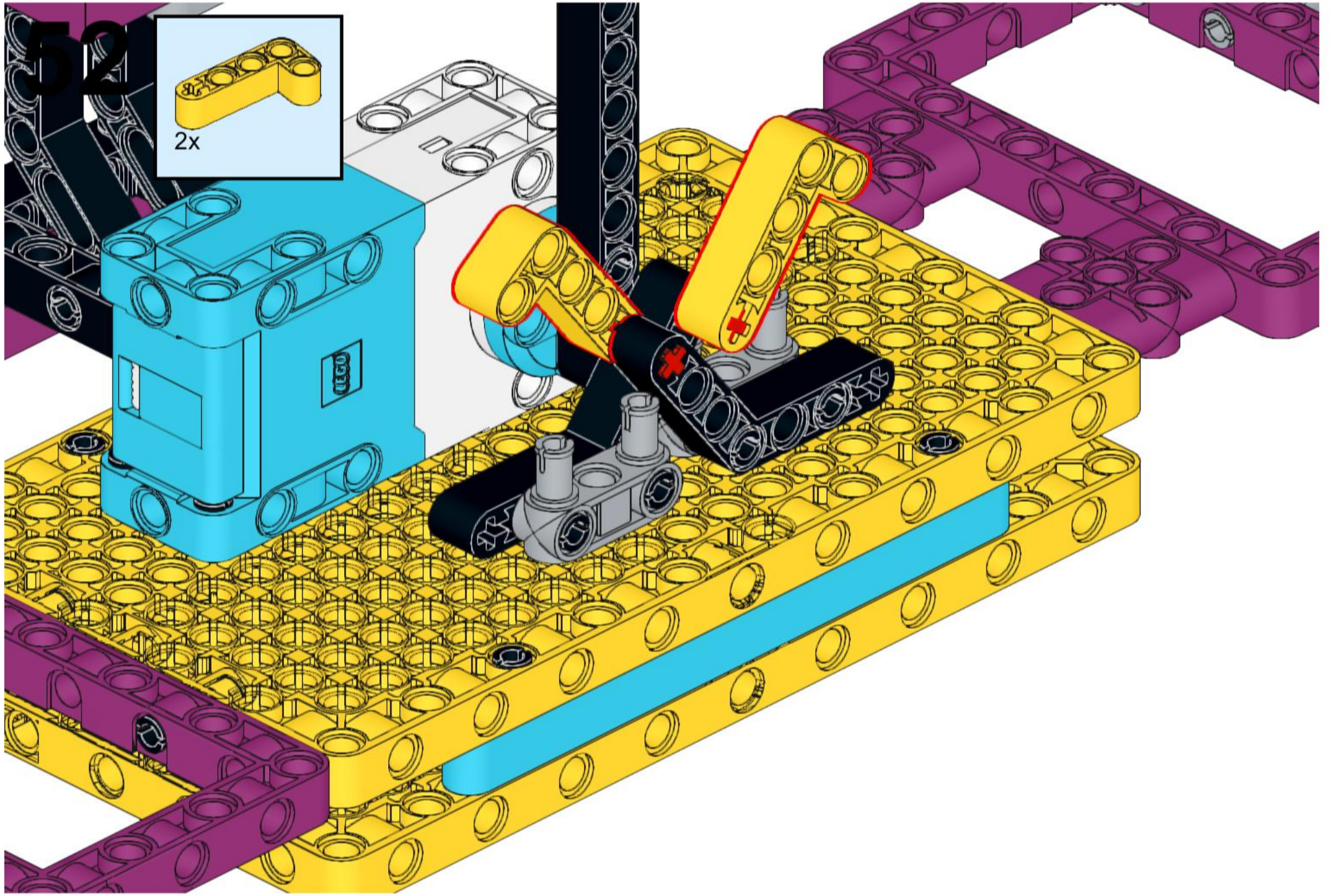
4x

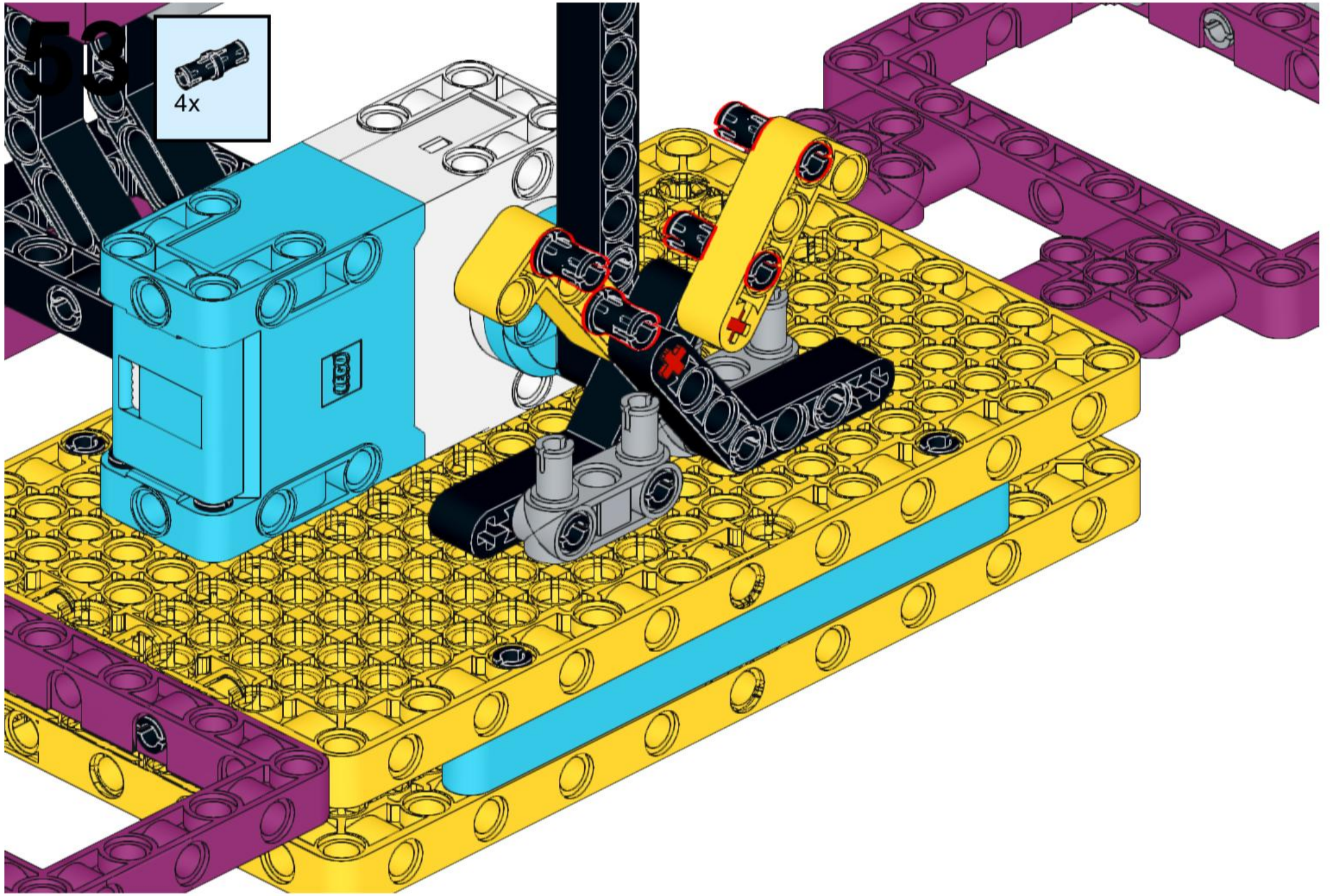


2x

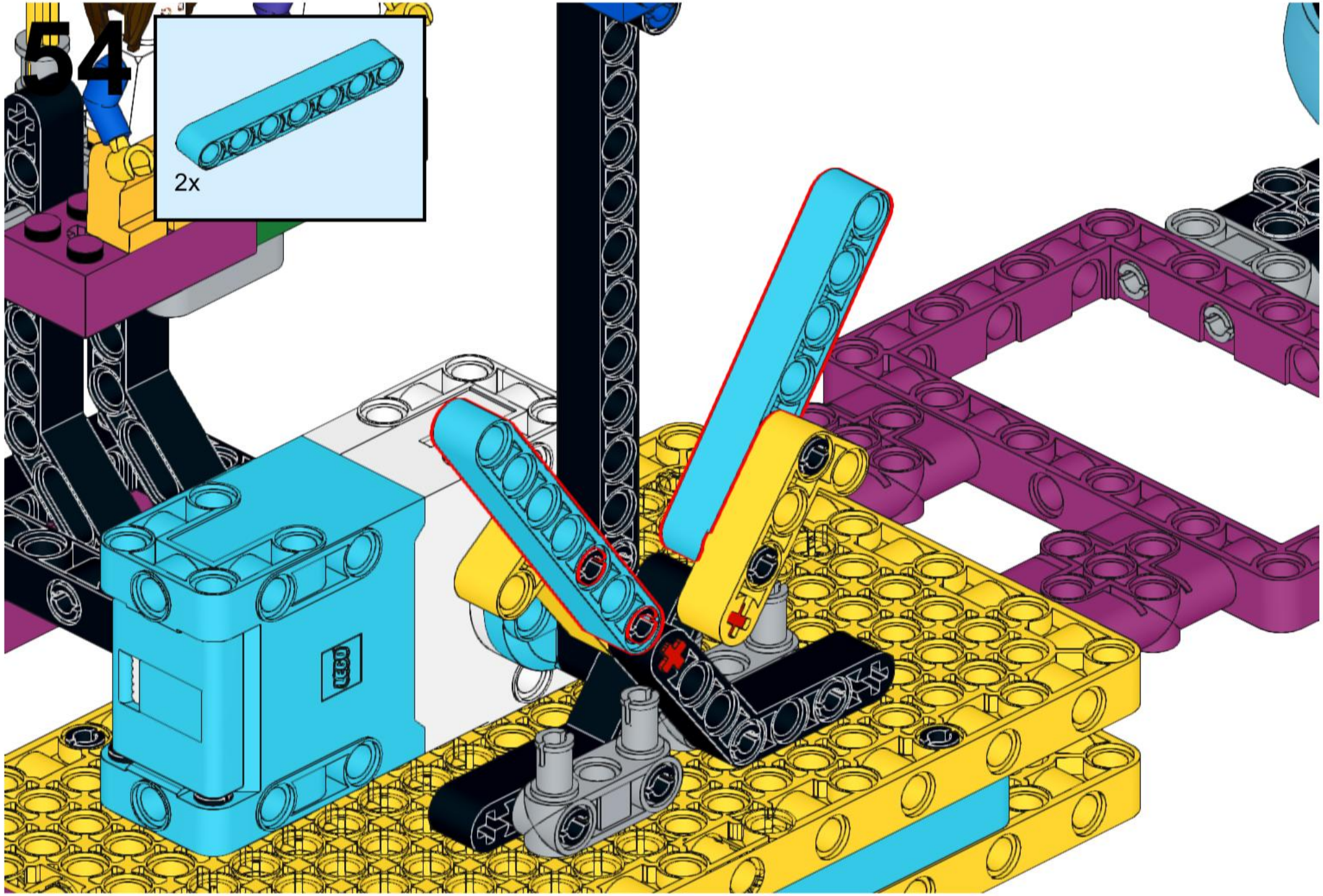


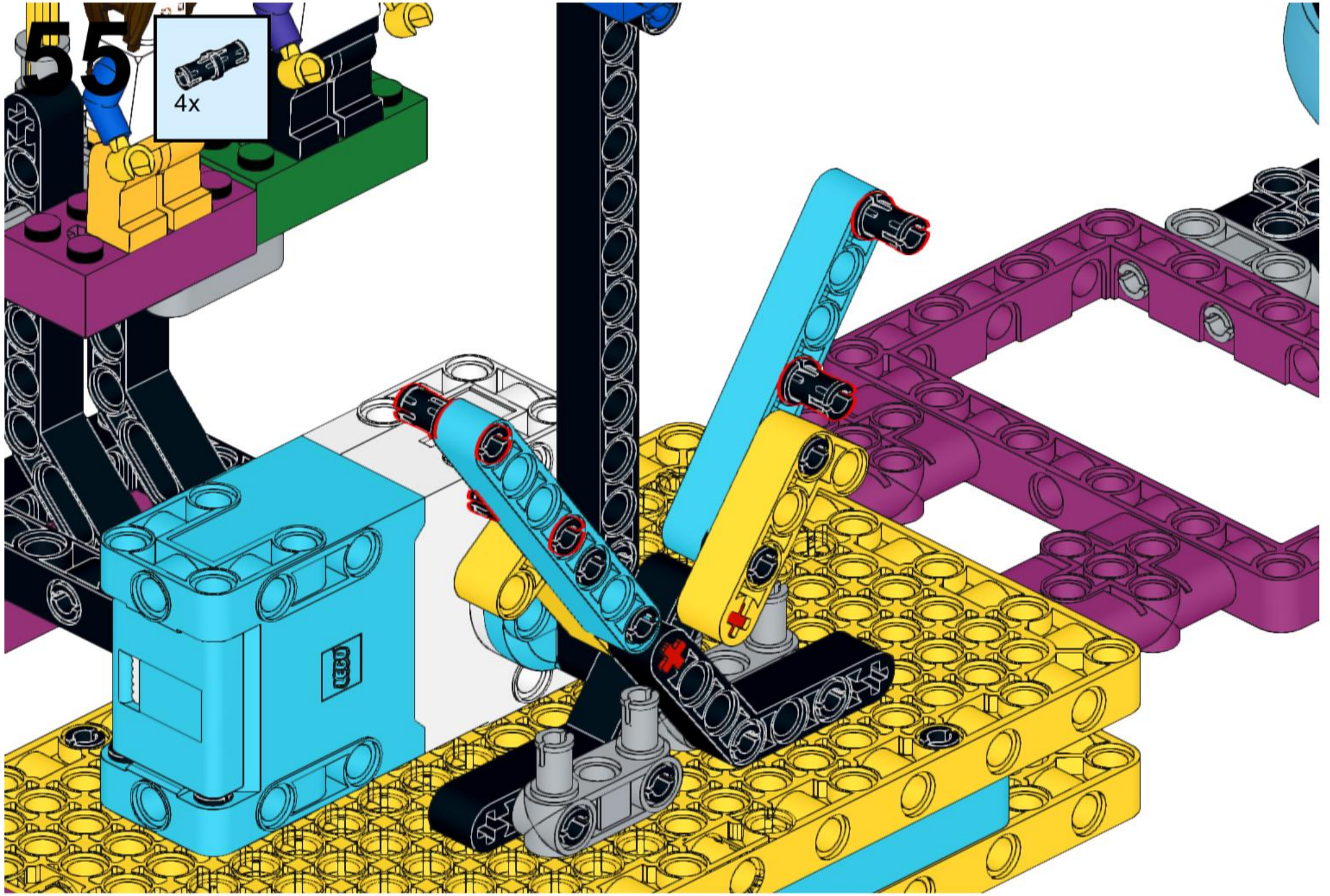
2x

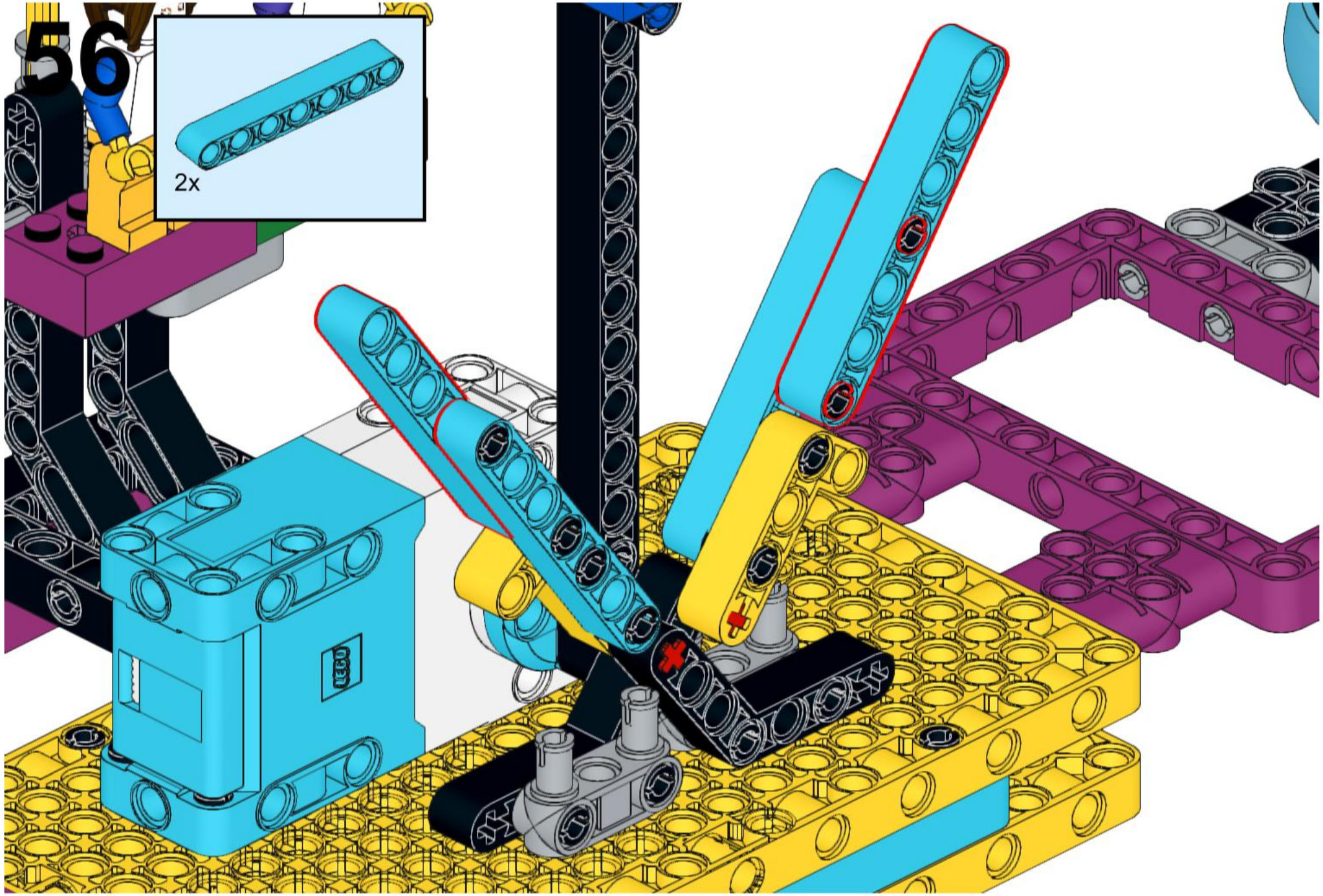




4x

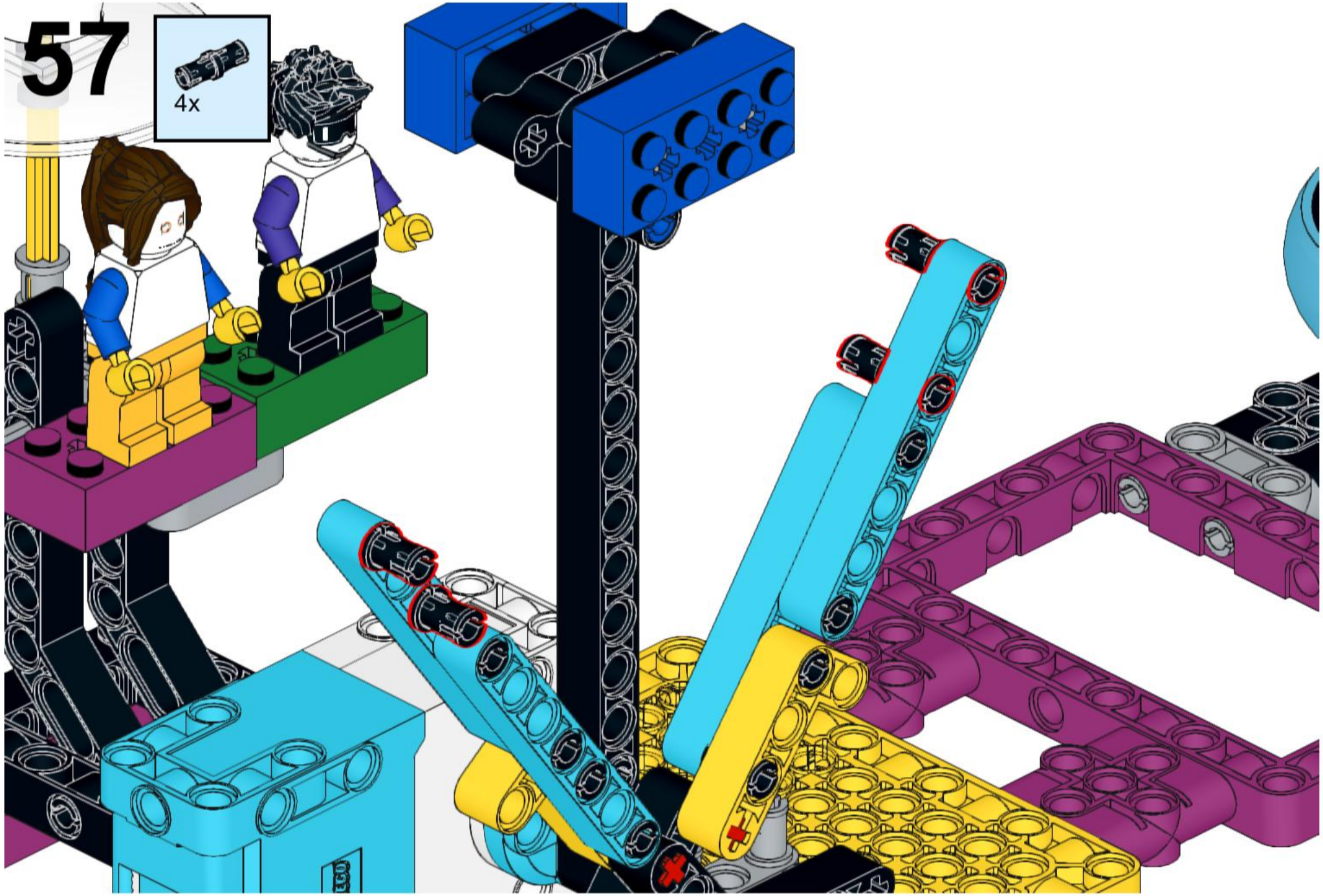




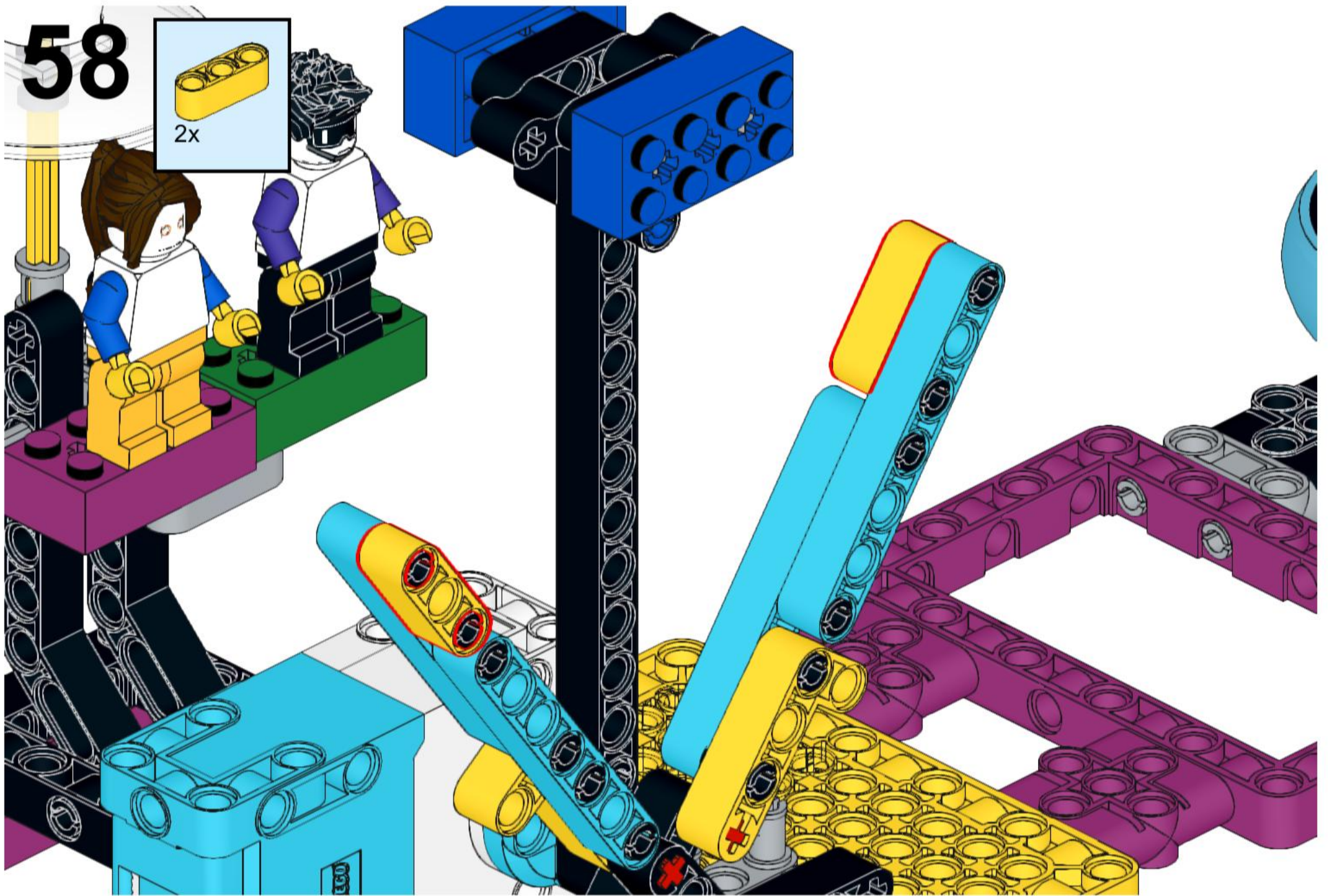
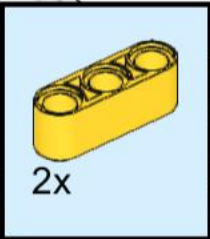


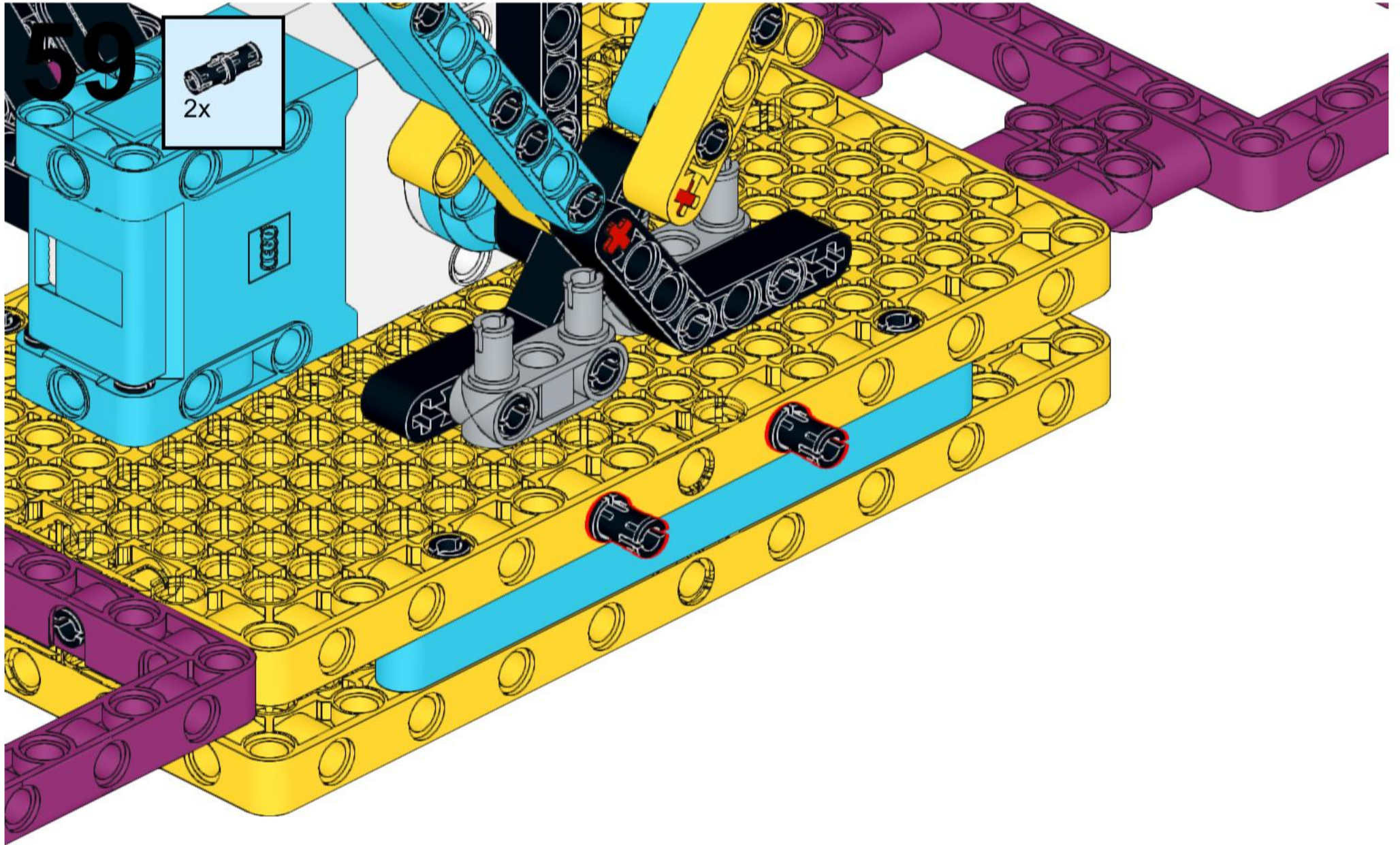


57



58





59

2x

60

