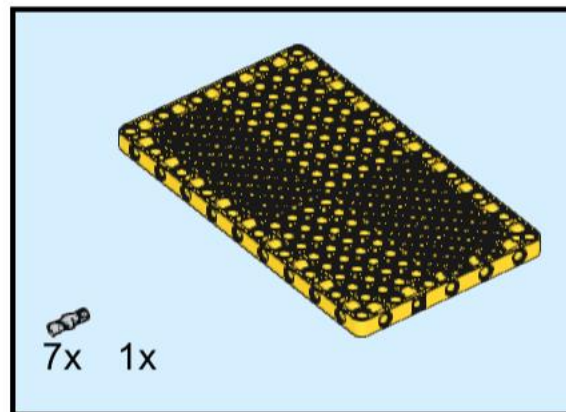
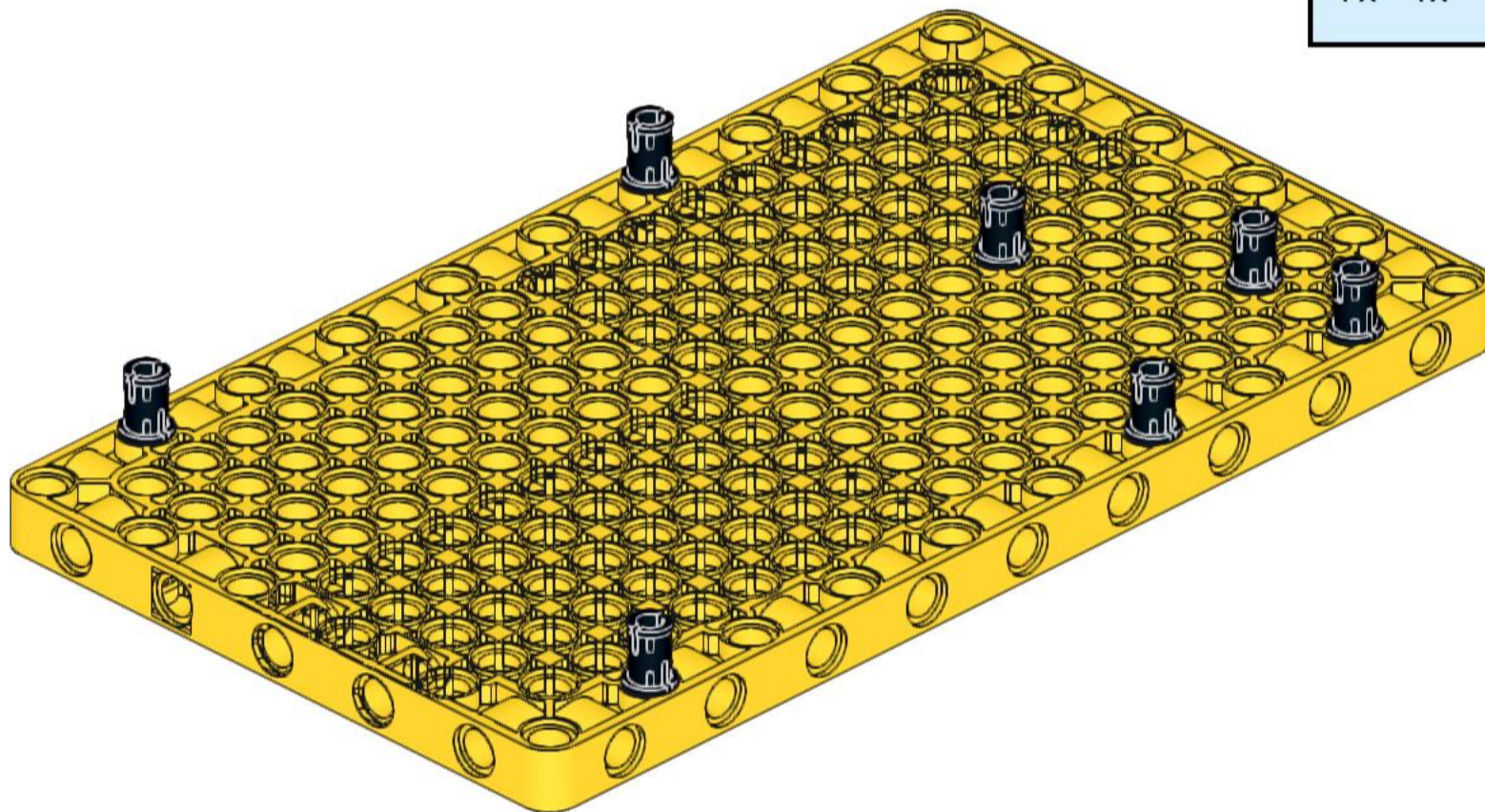
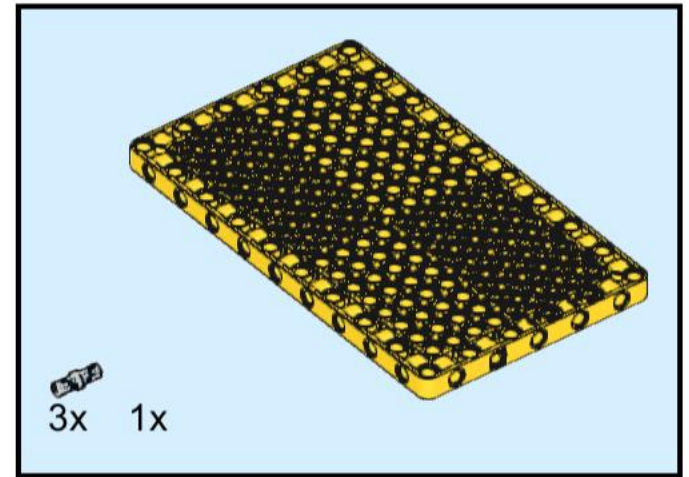
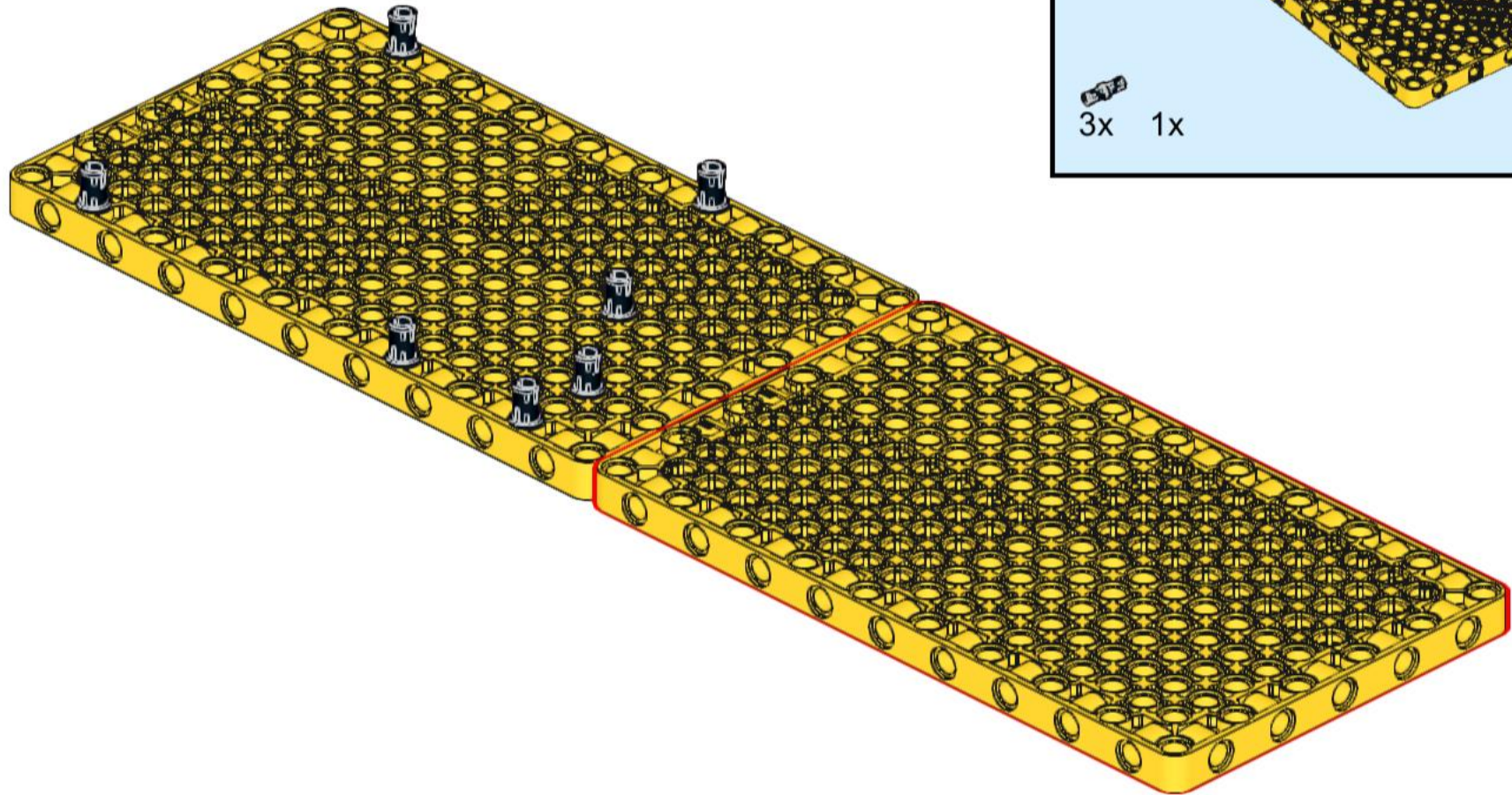


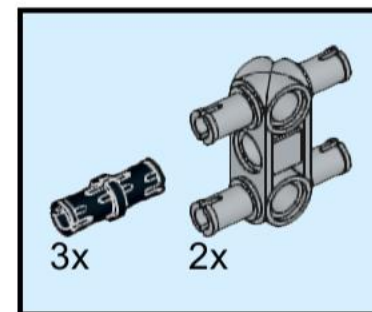
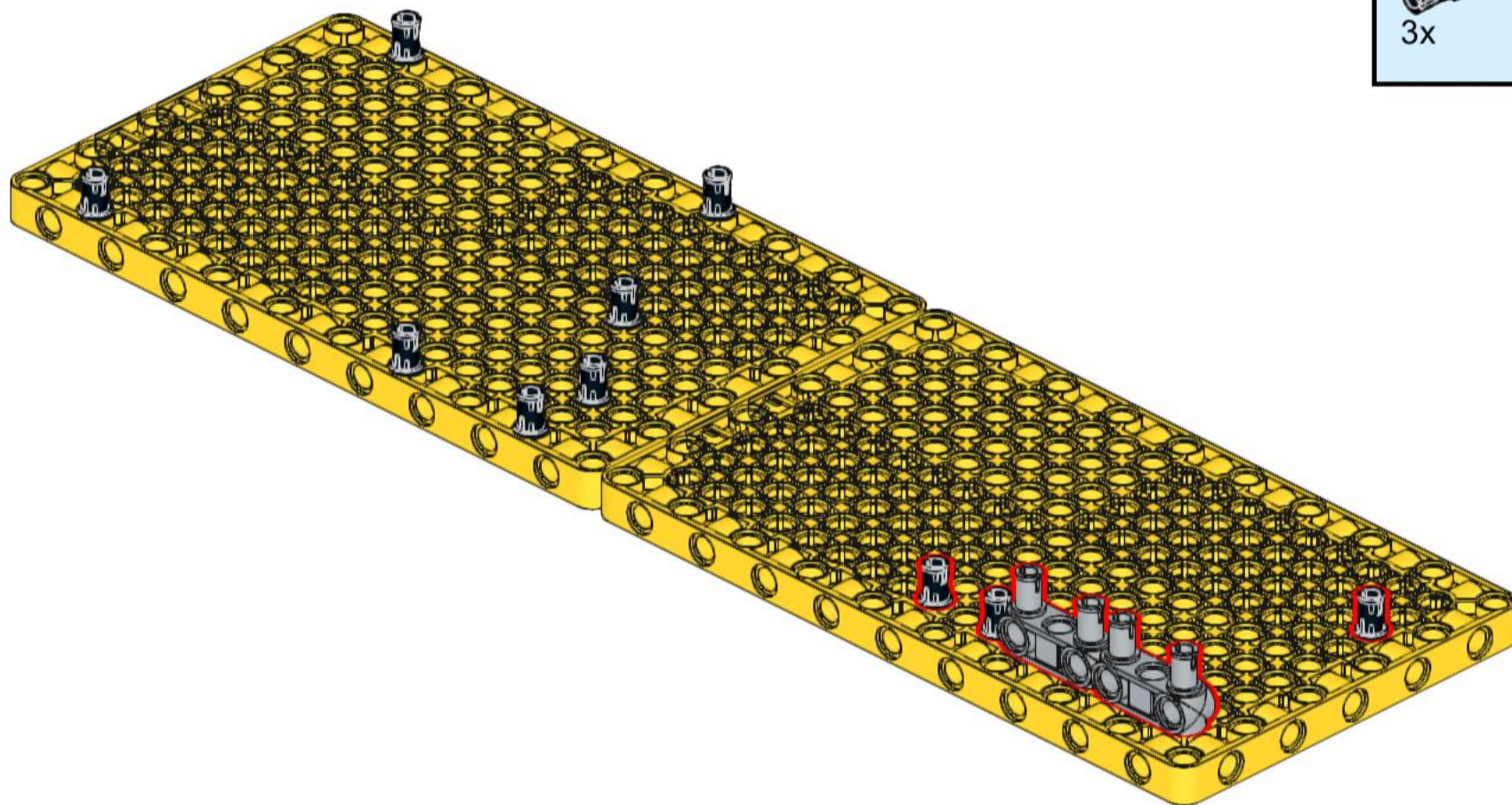
1



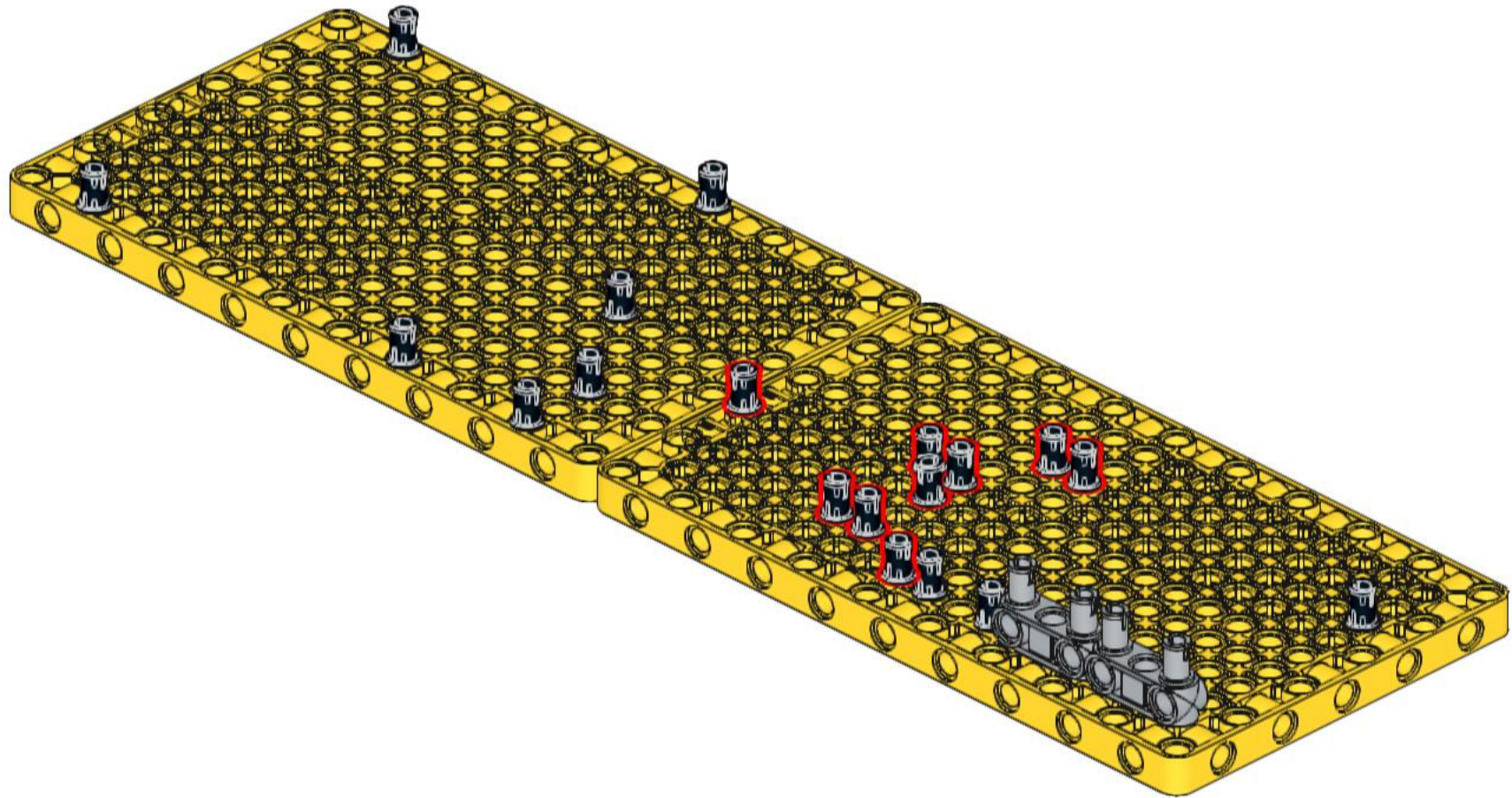
# 2



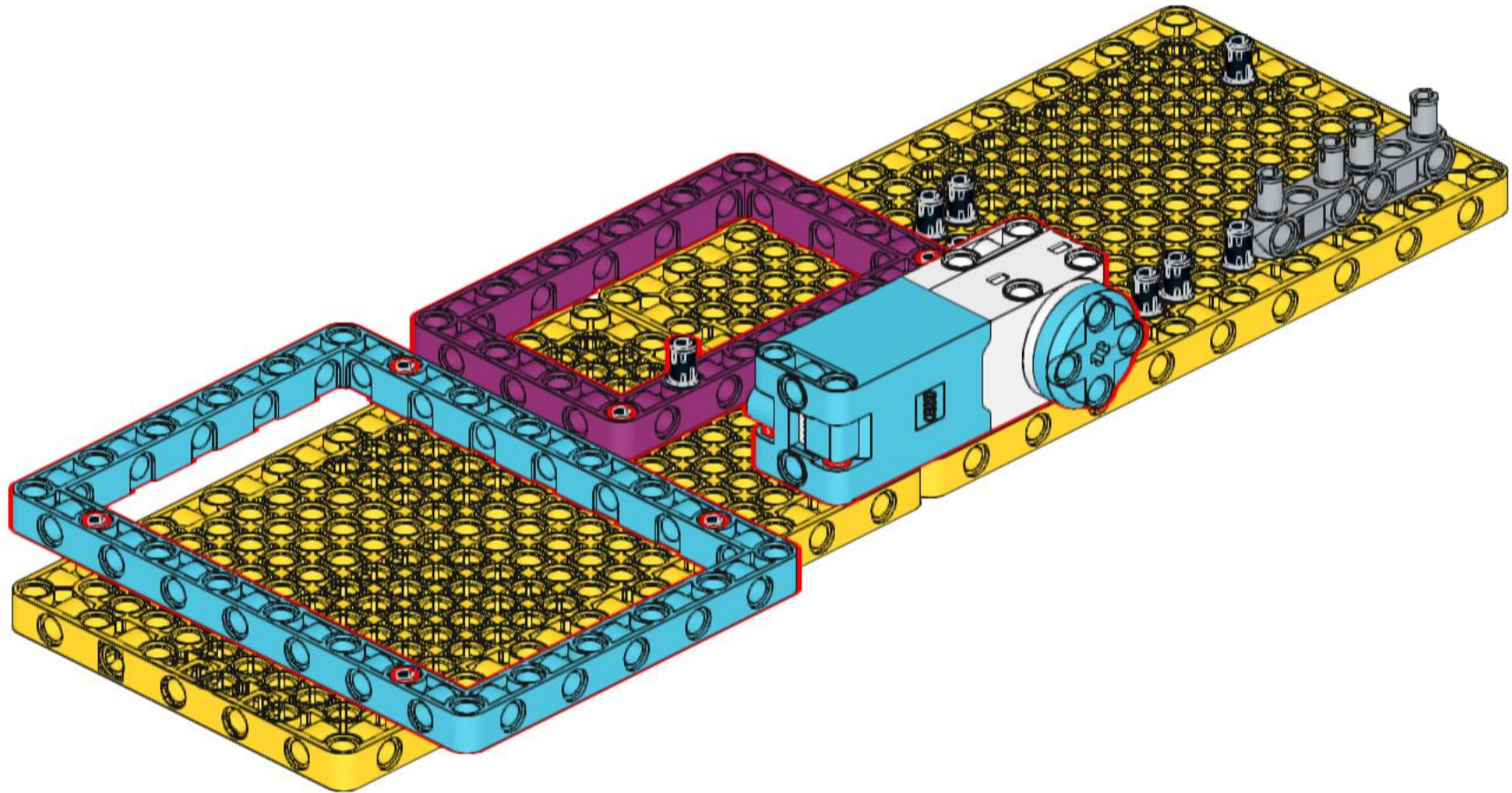
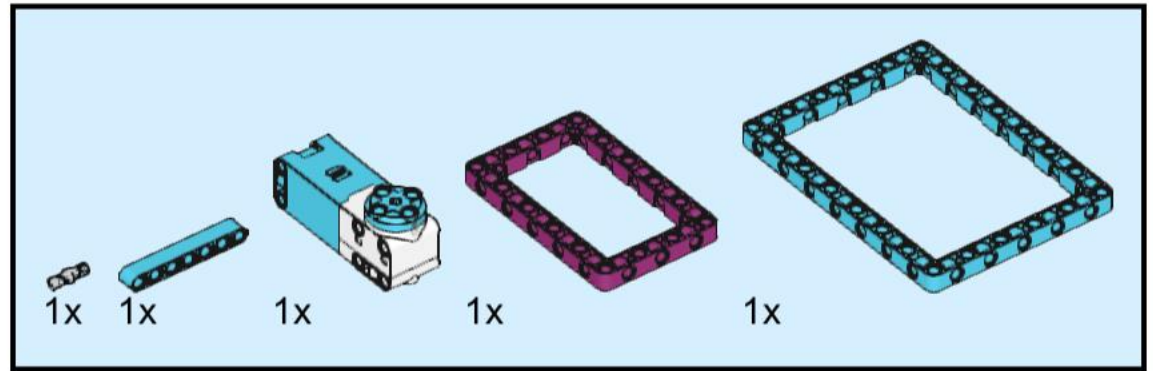
3



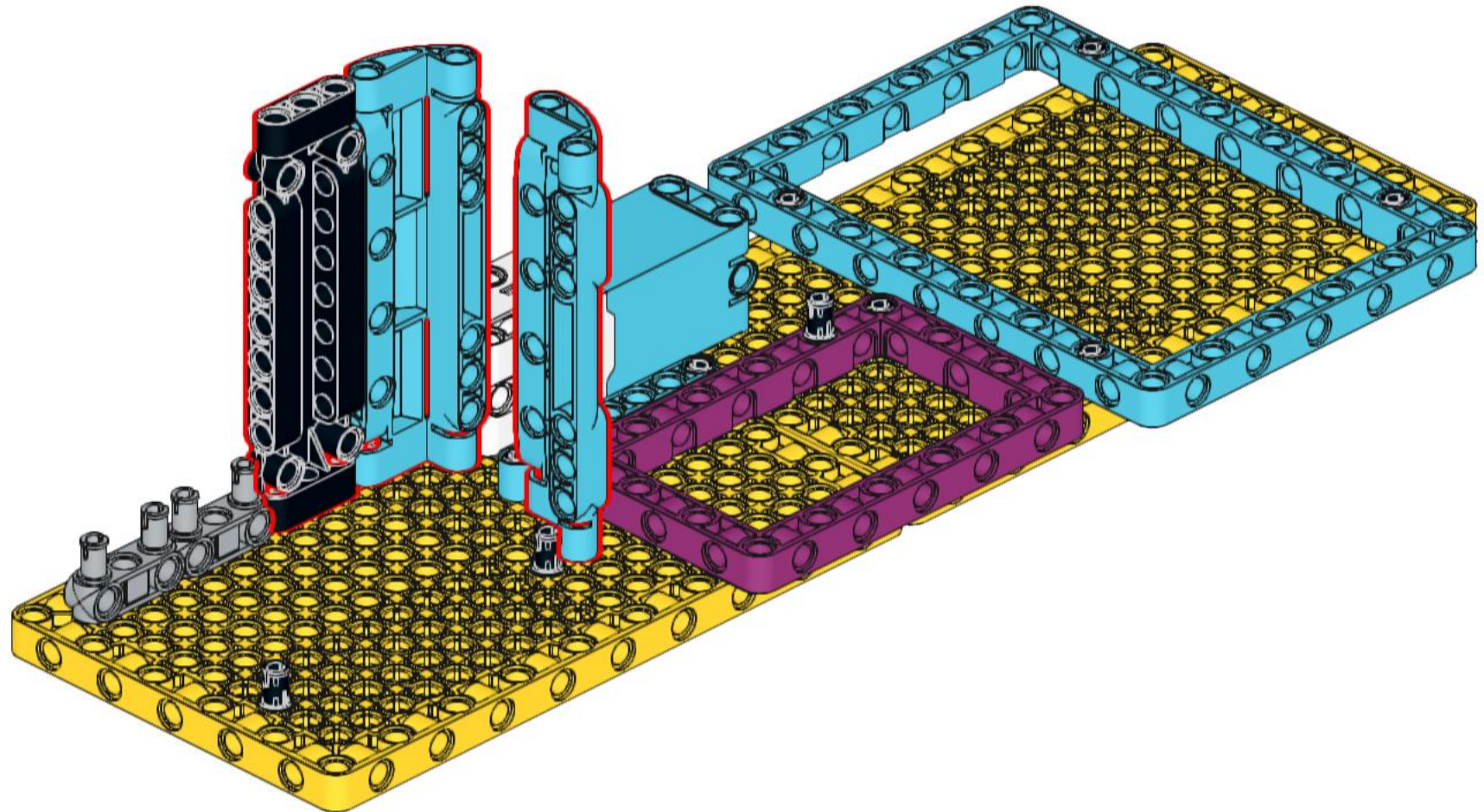
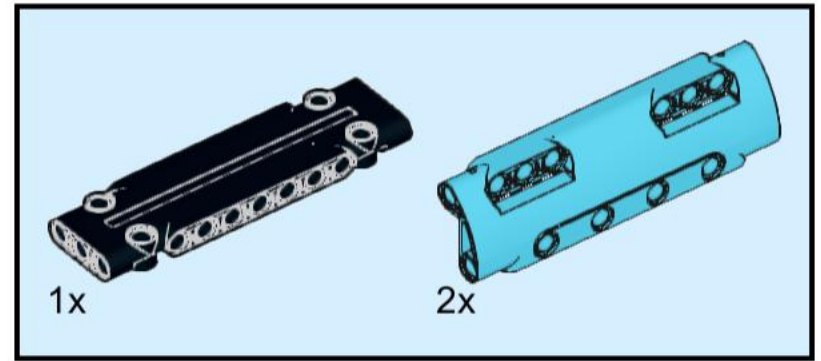
4



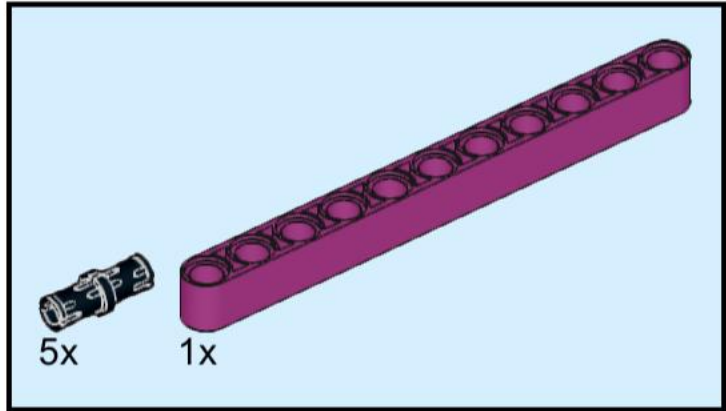
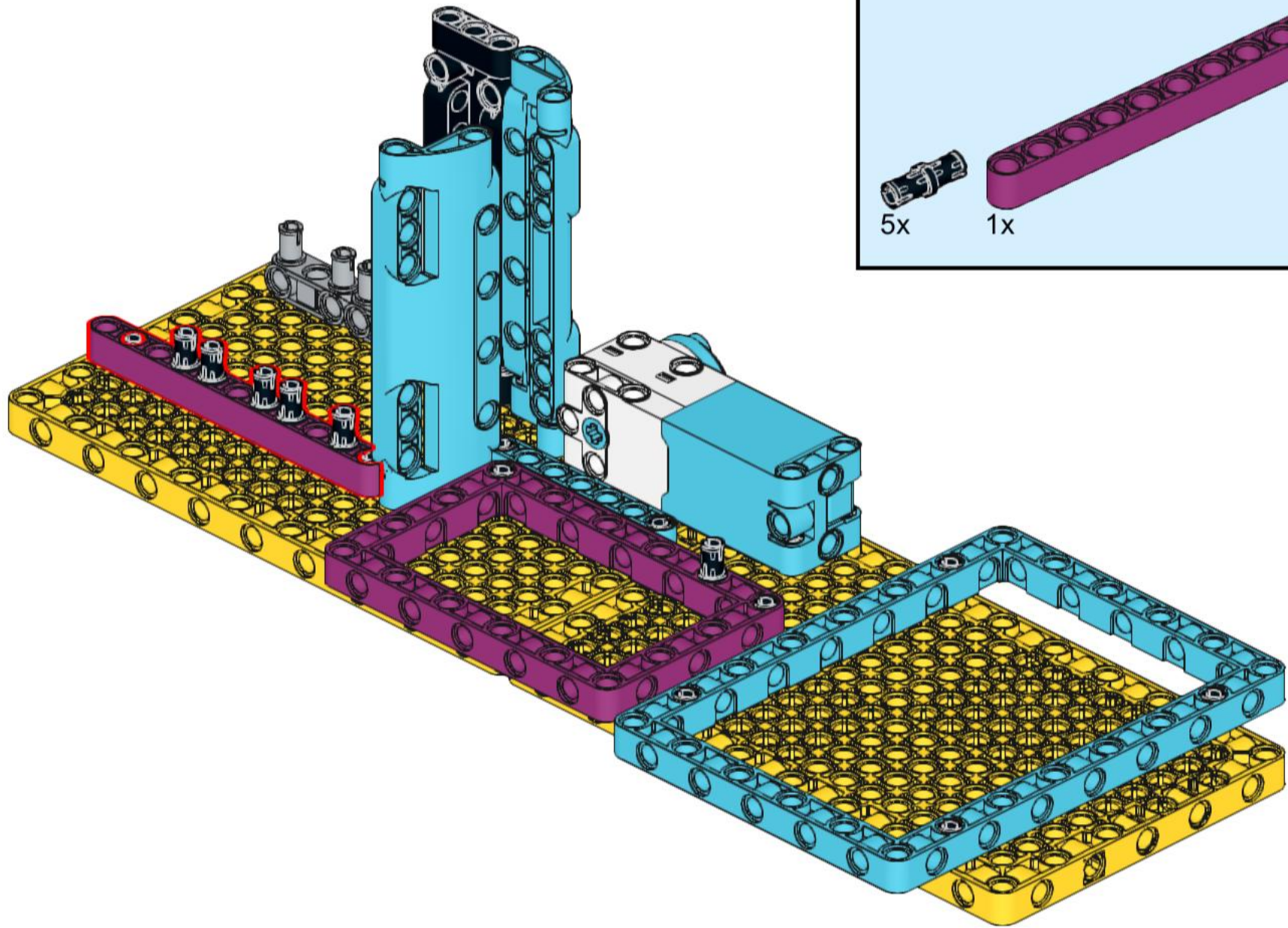
# 5



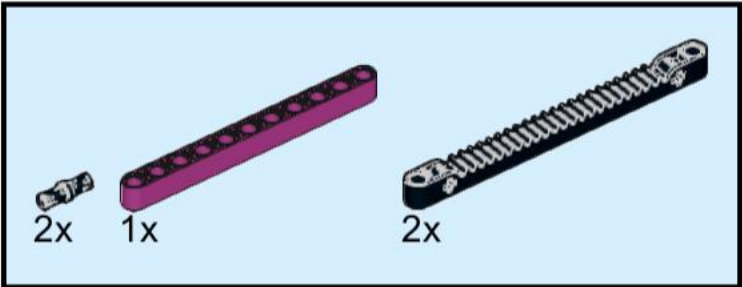
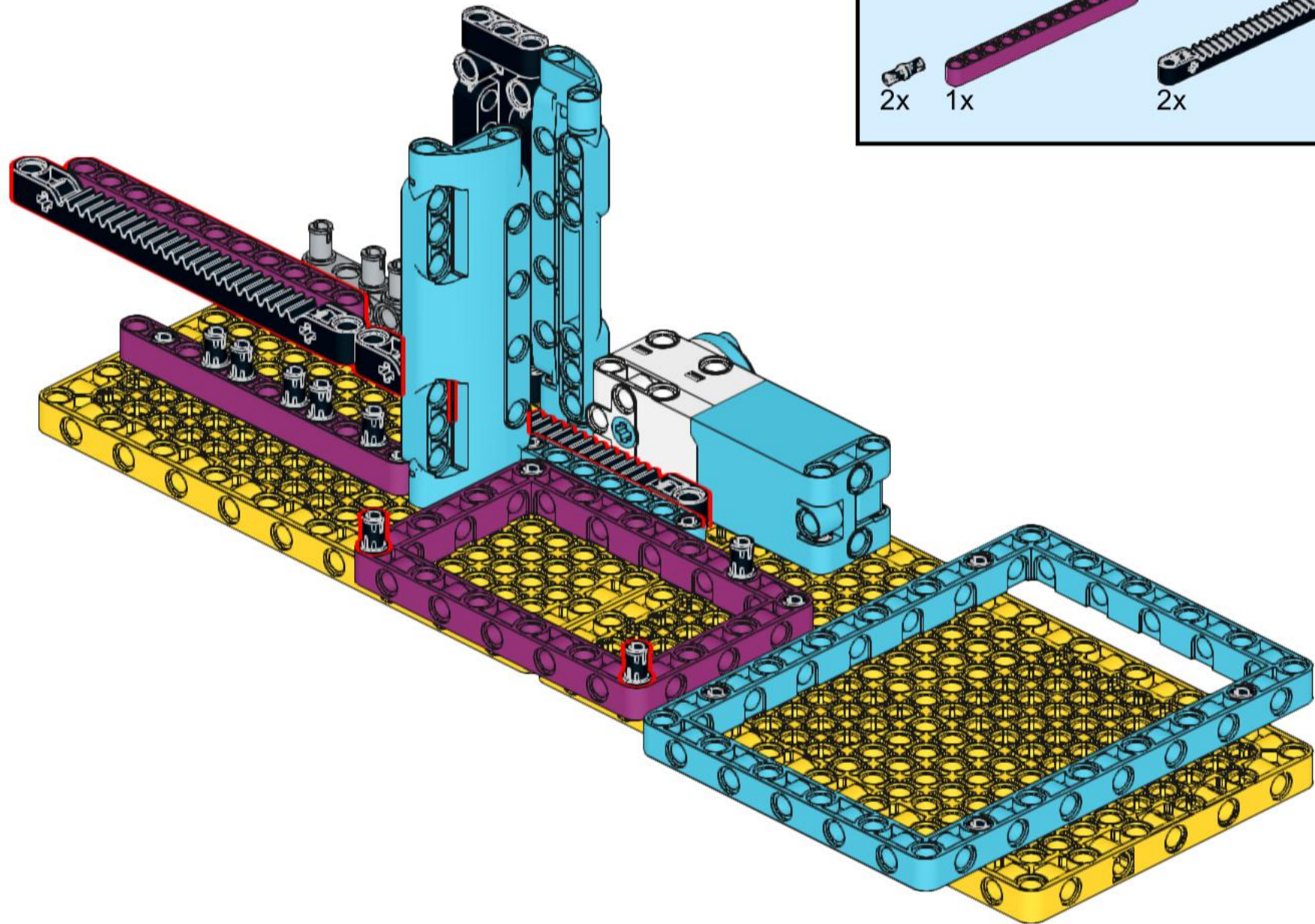
6



7

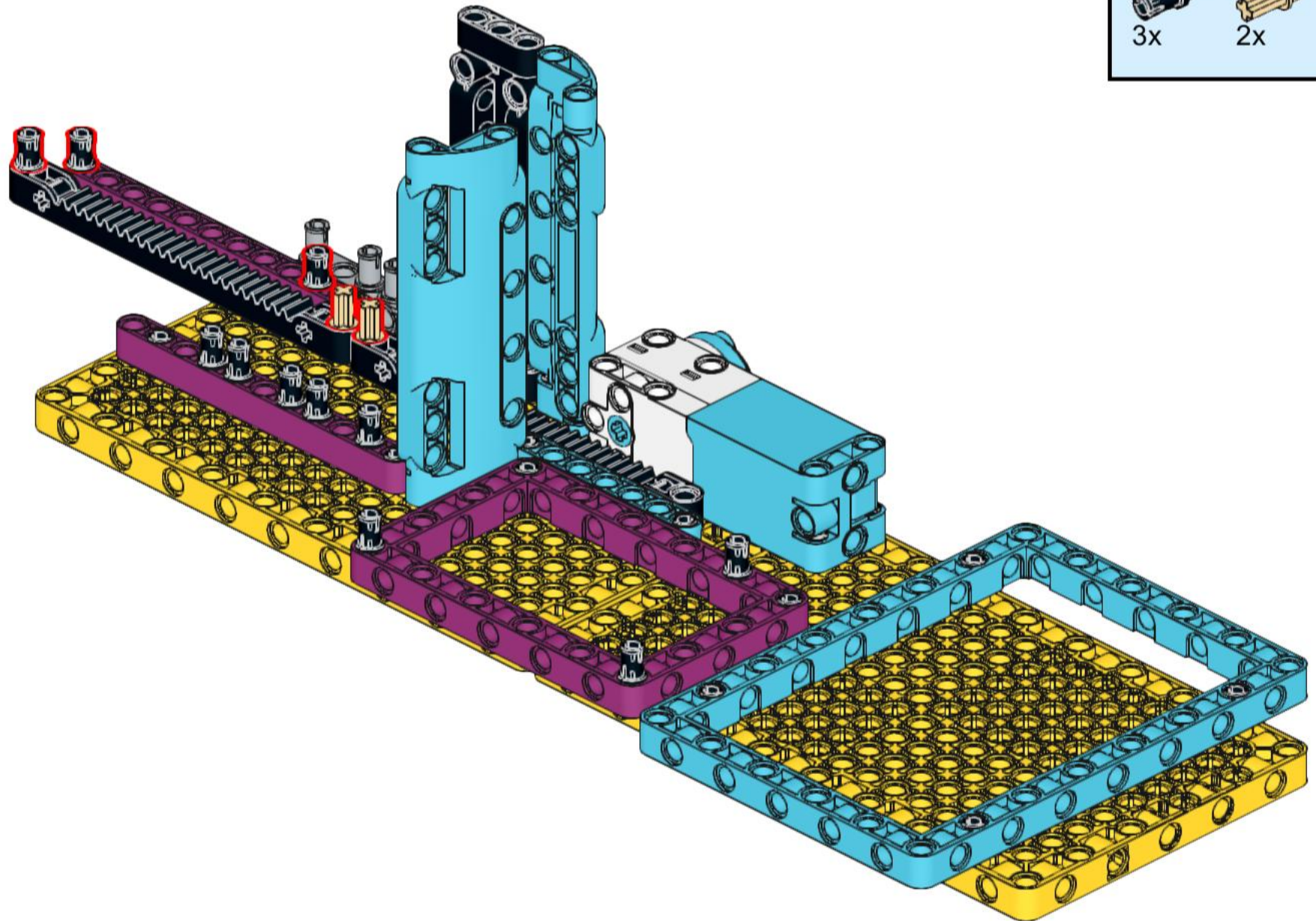




8



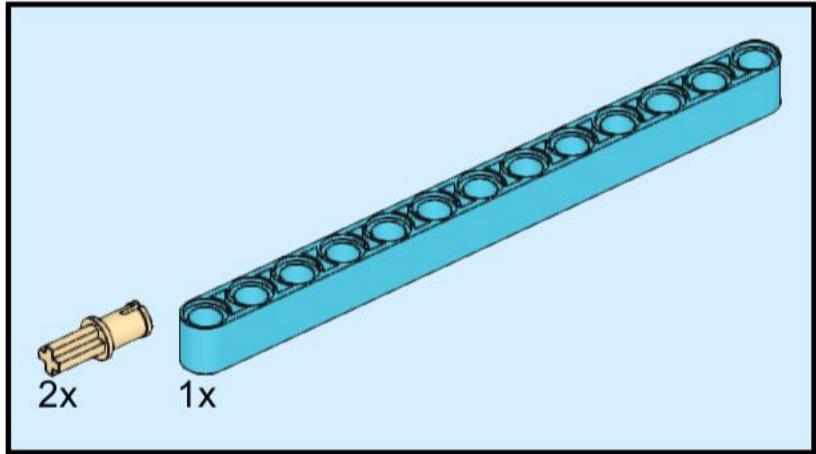
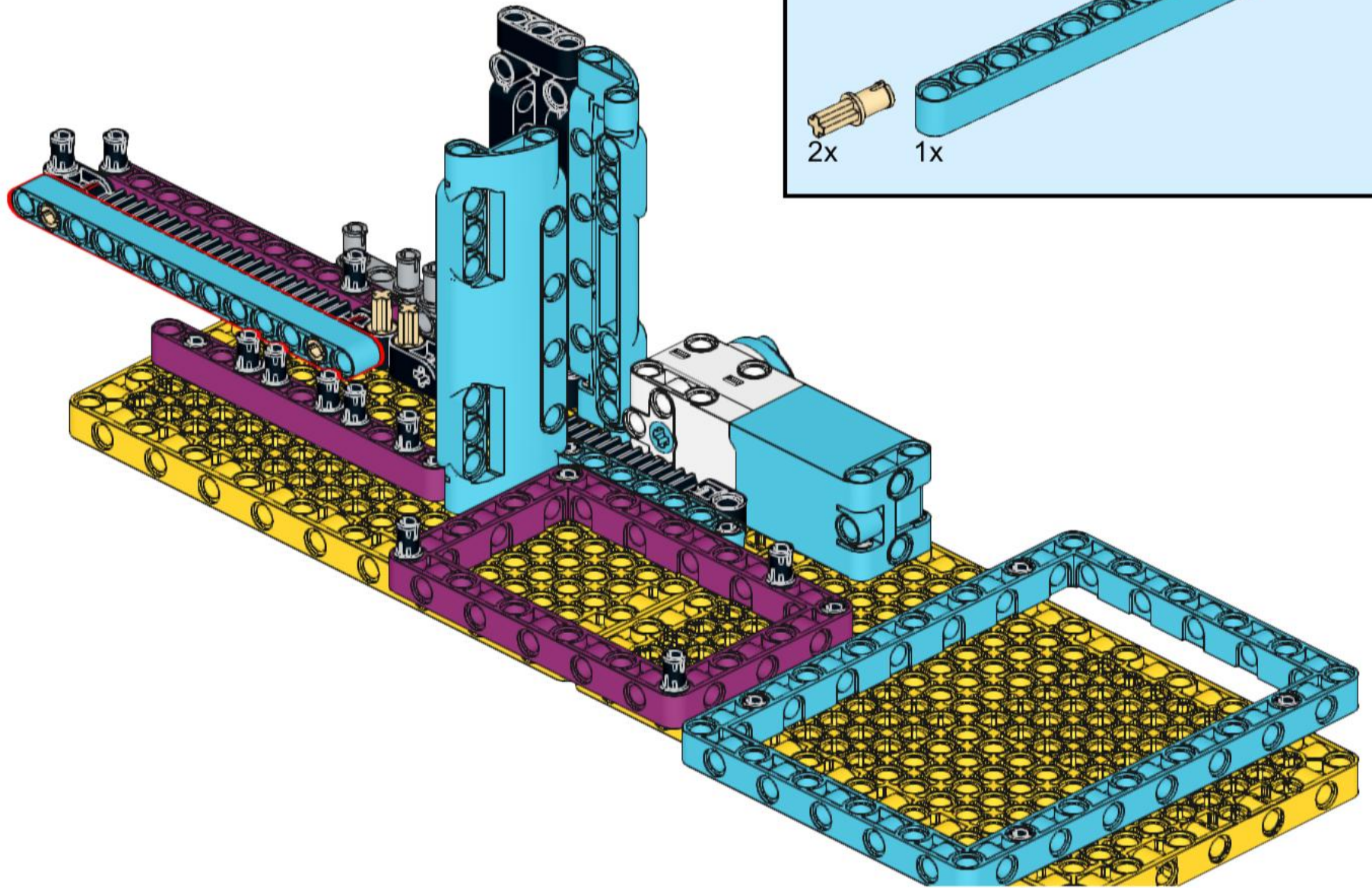


9

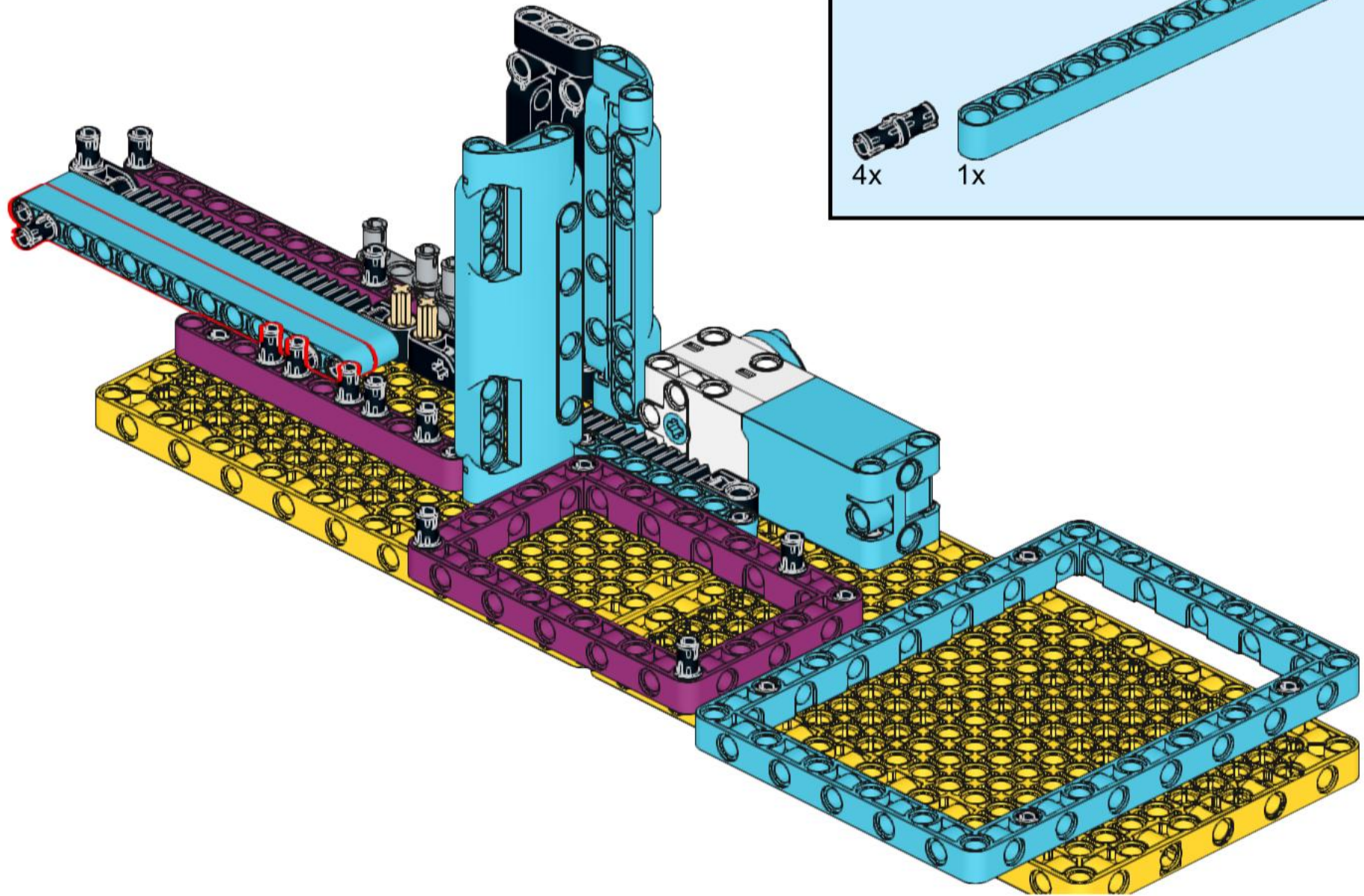


	
3x	2x

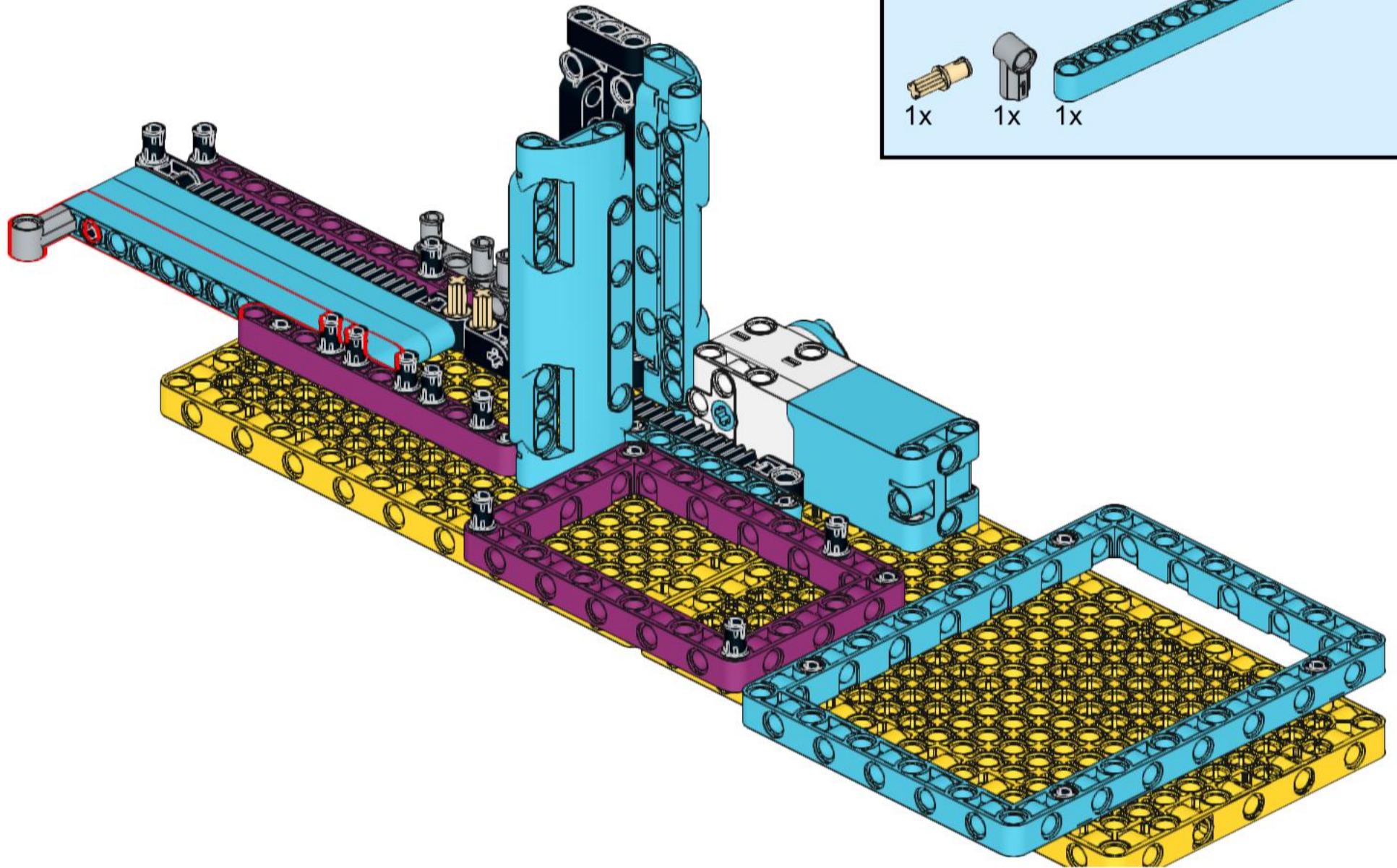
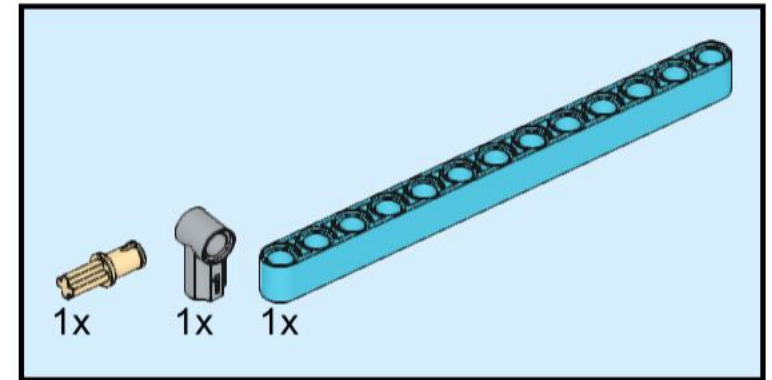
# 10



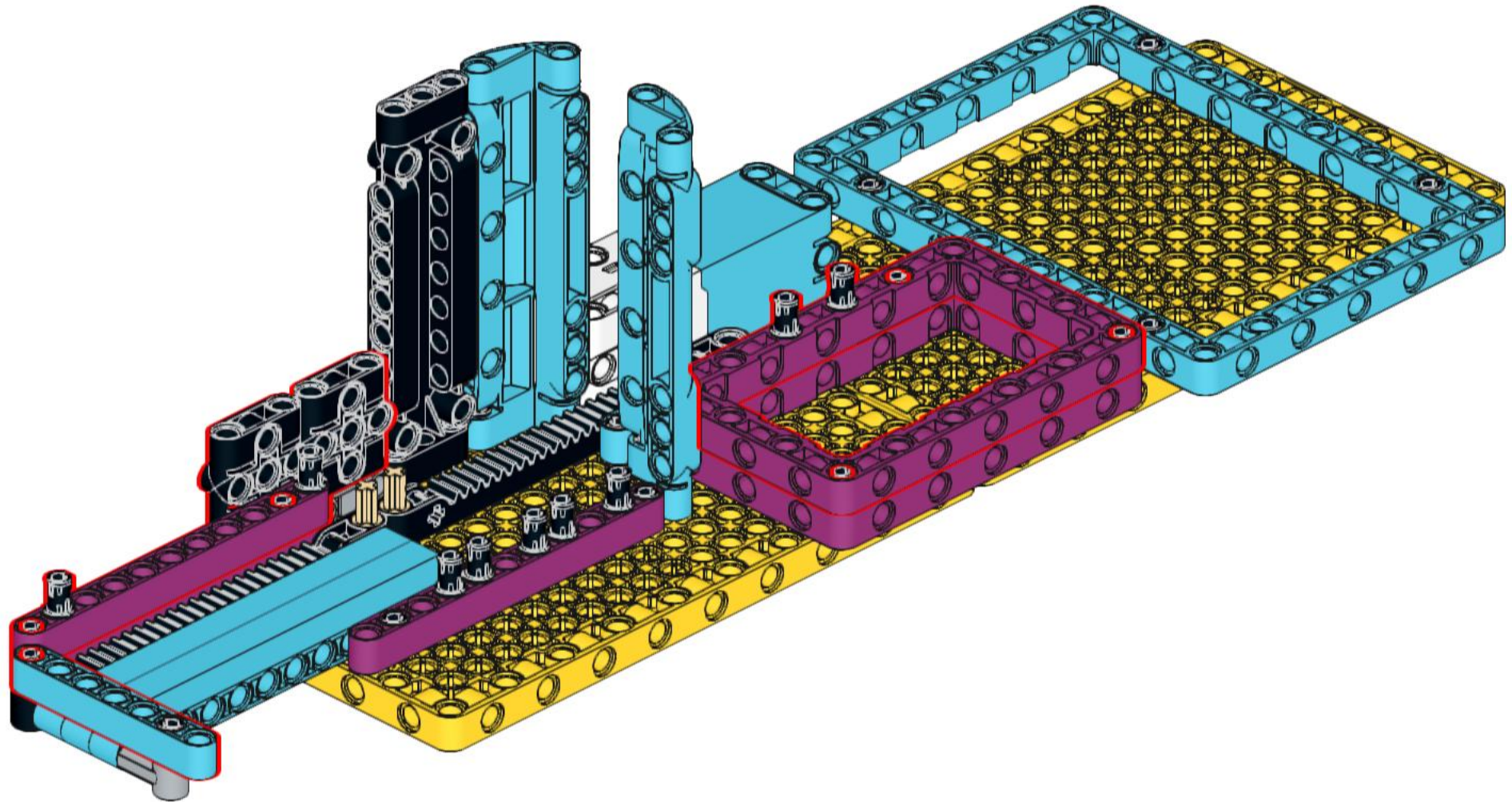
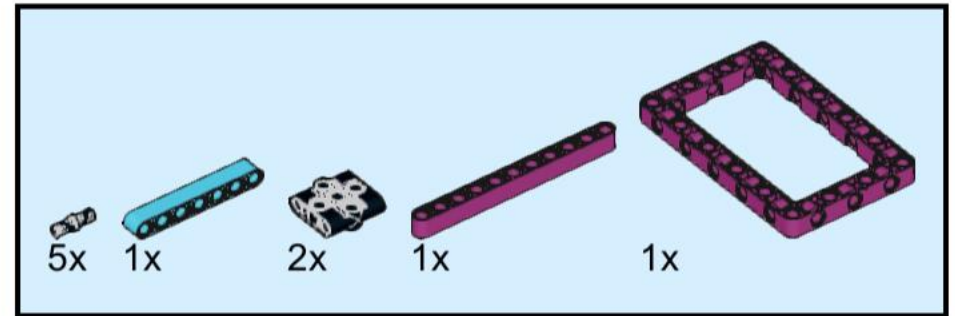
11



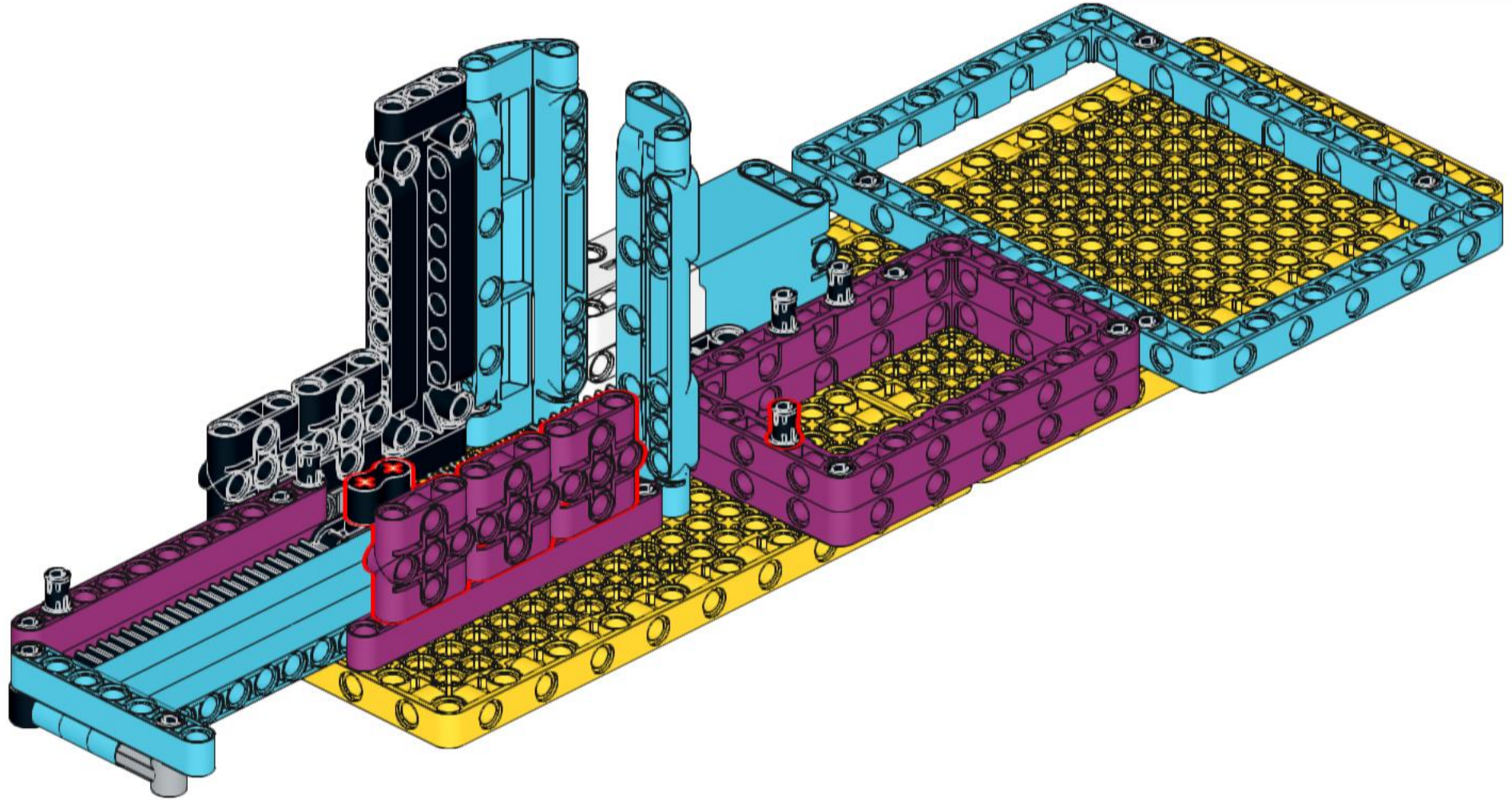
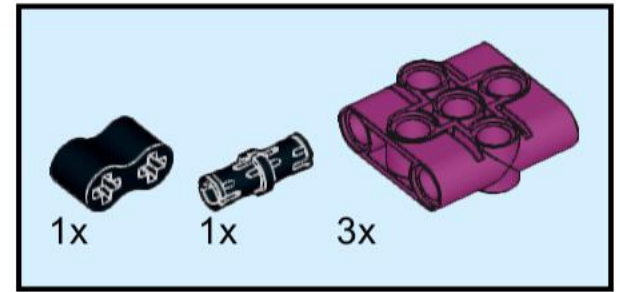
# 12



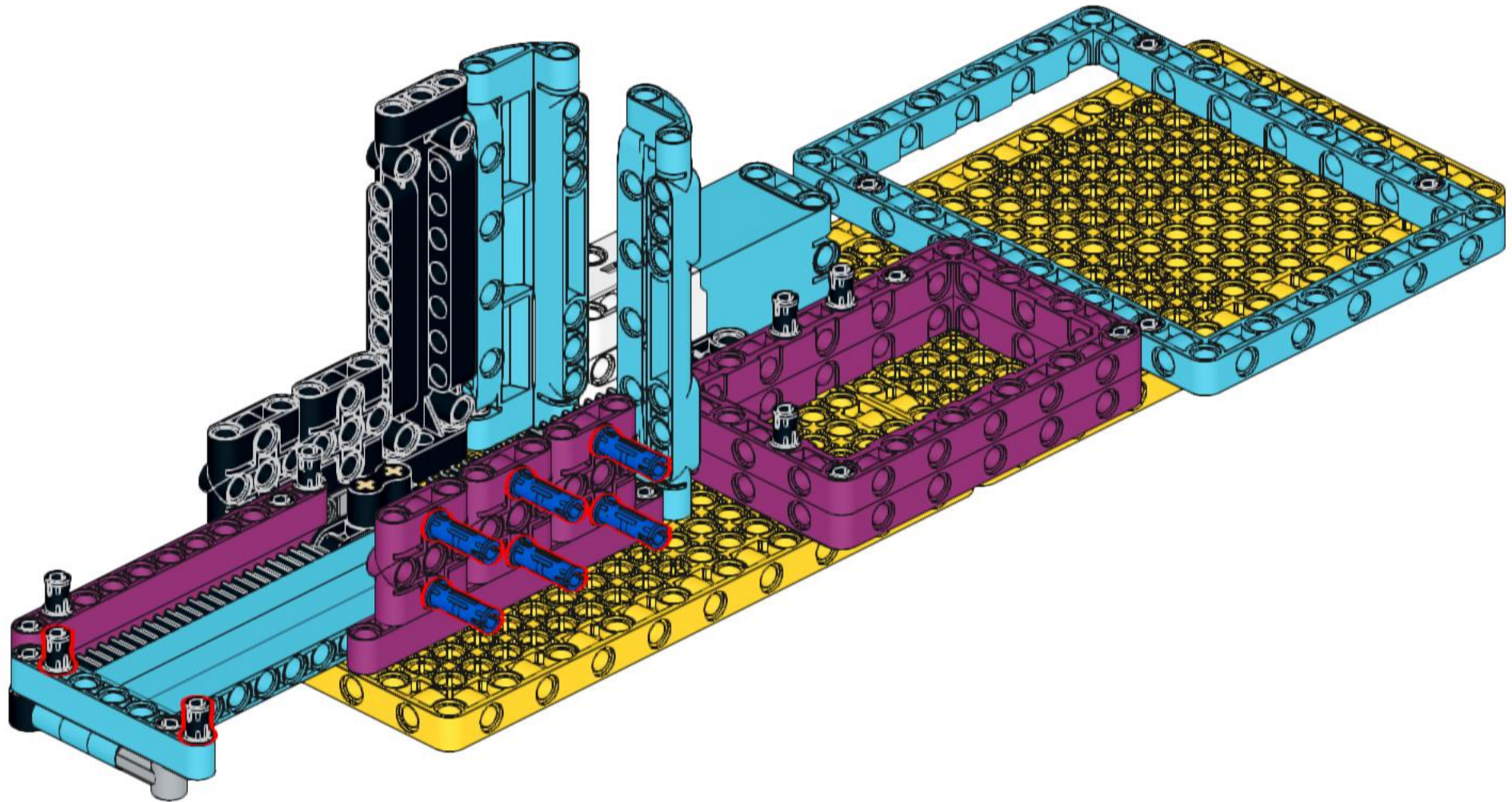
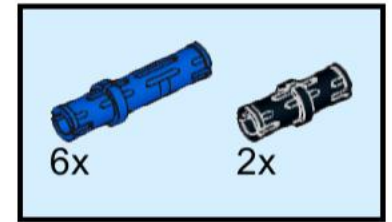
# 13



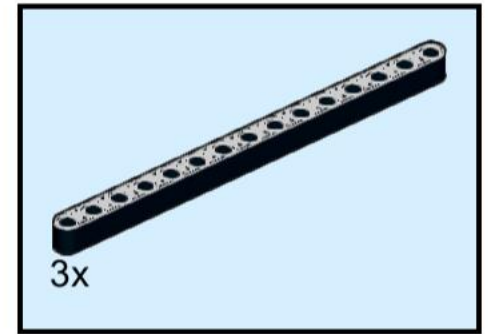
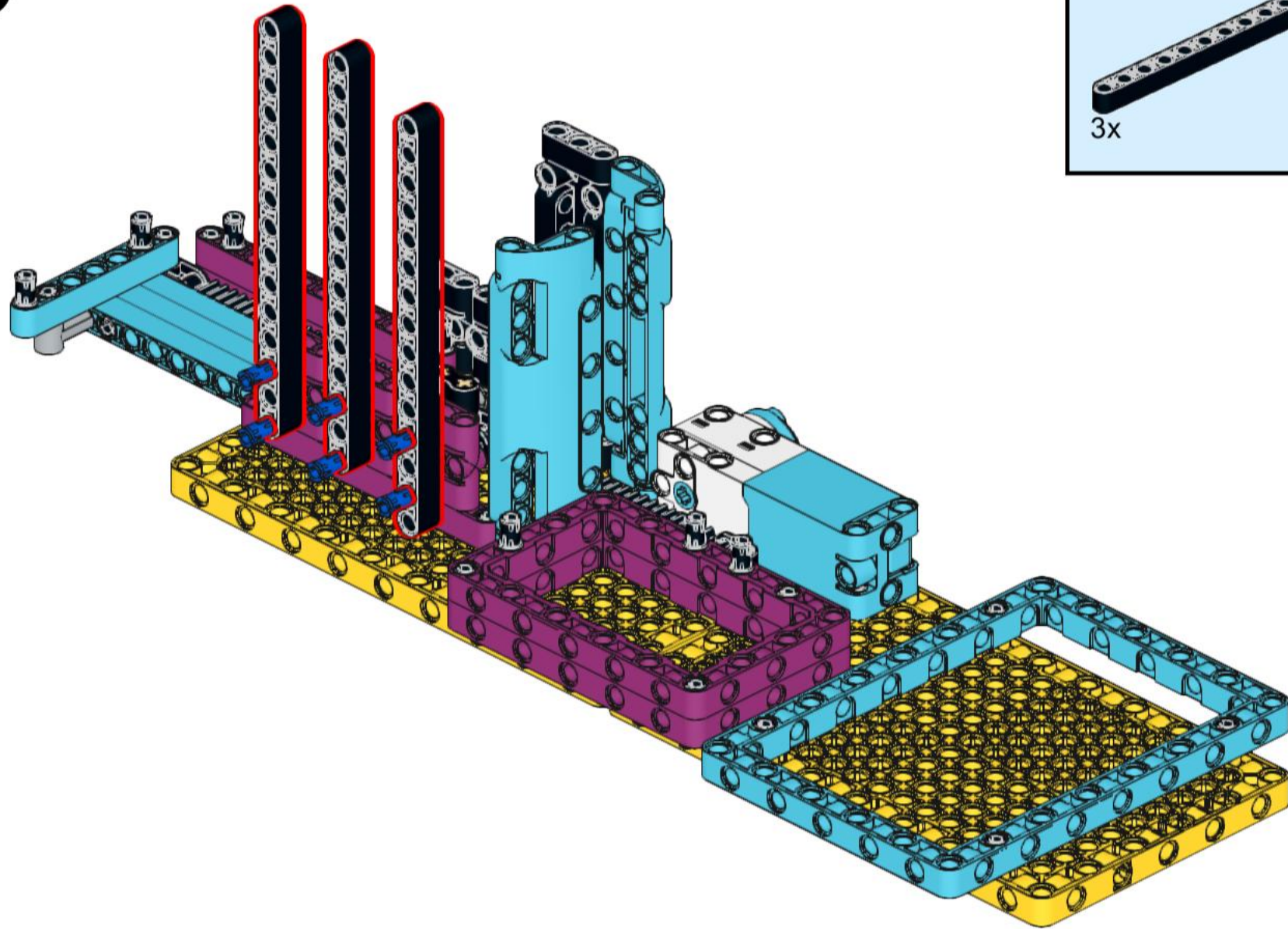
# 14



# 15

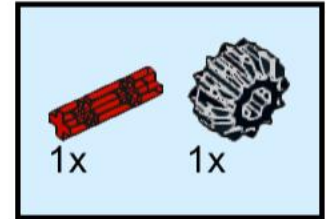
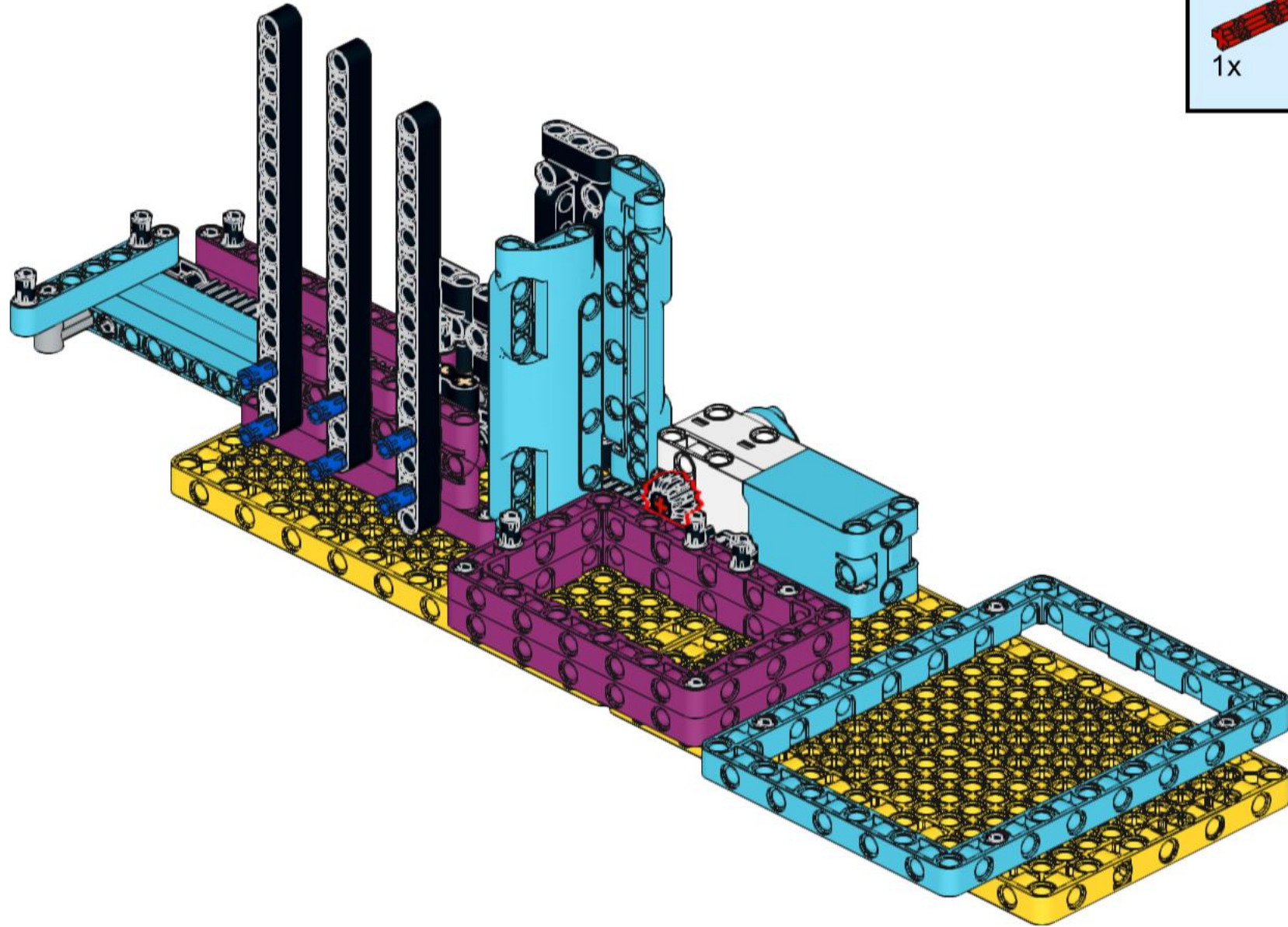


# 16

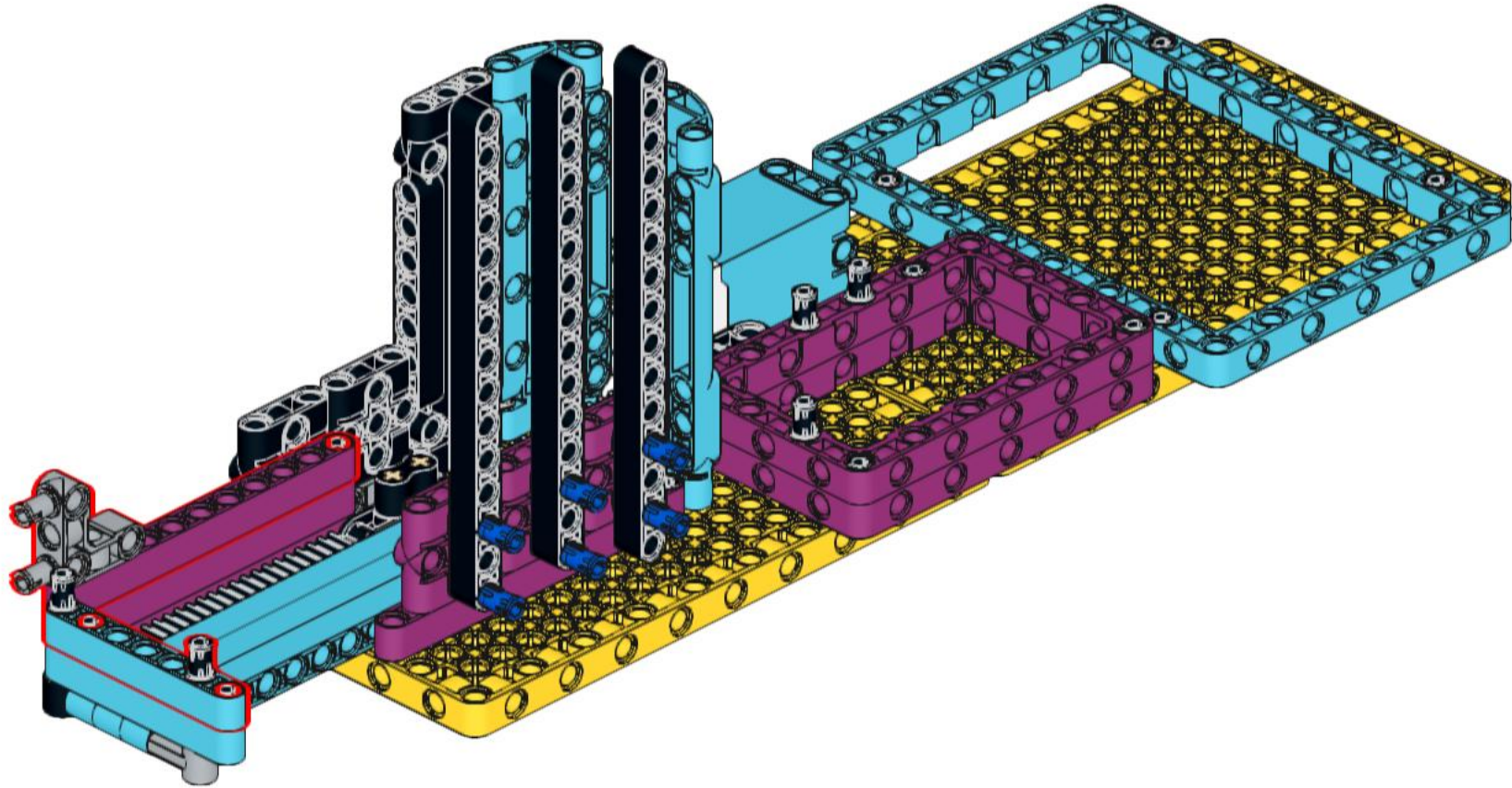
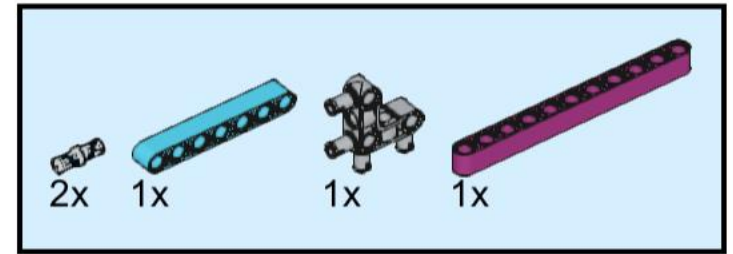




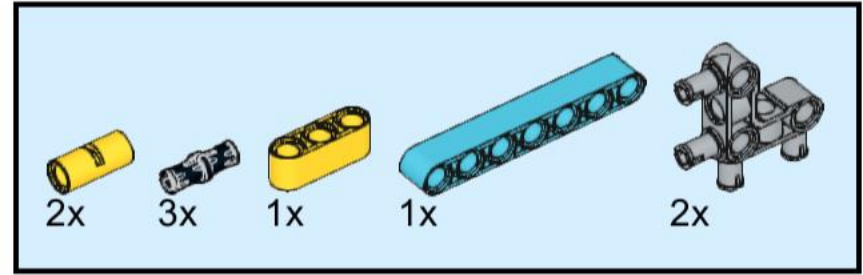
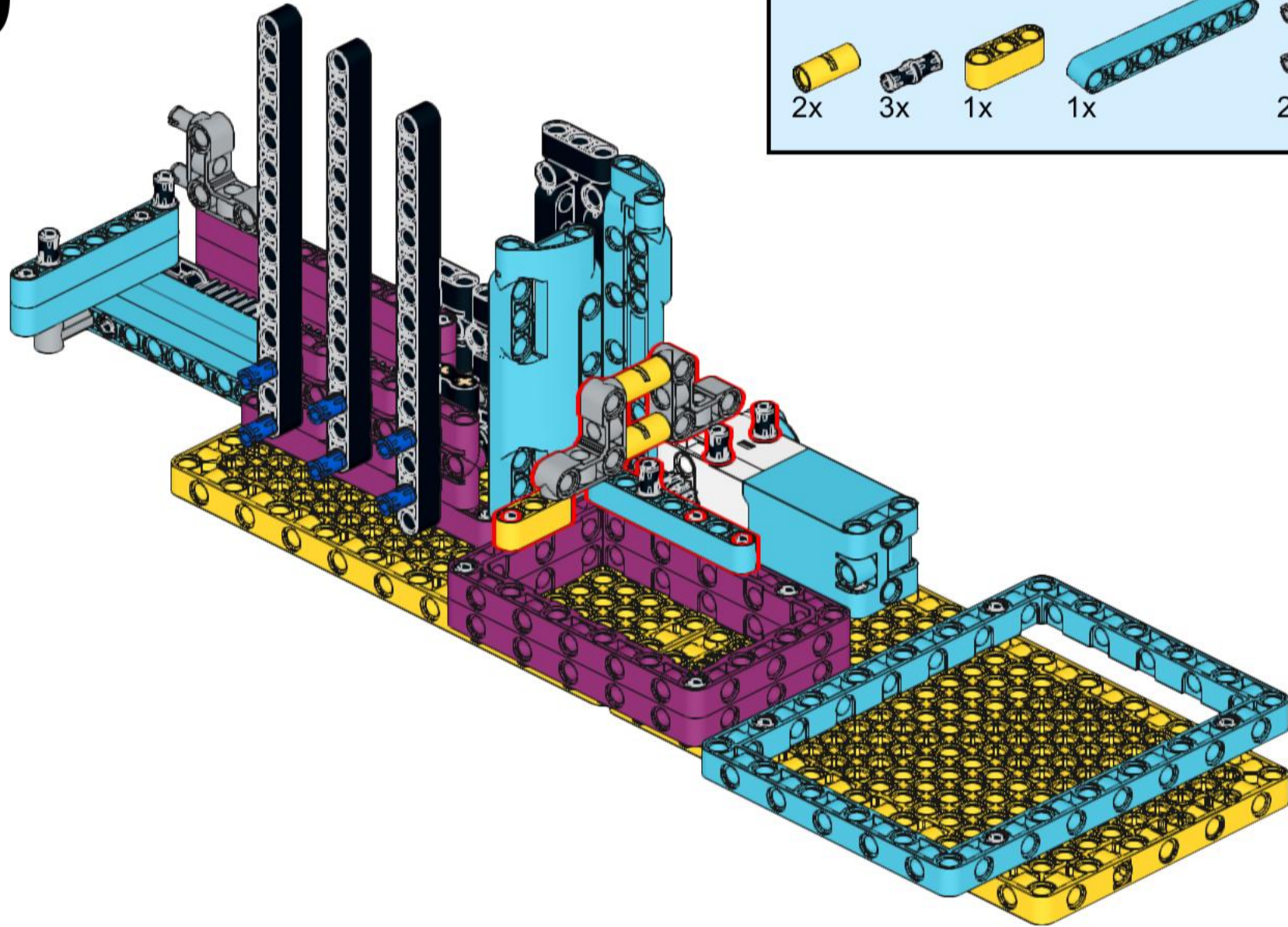
# 17



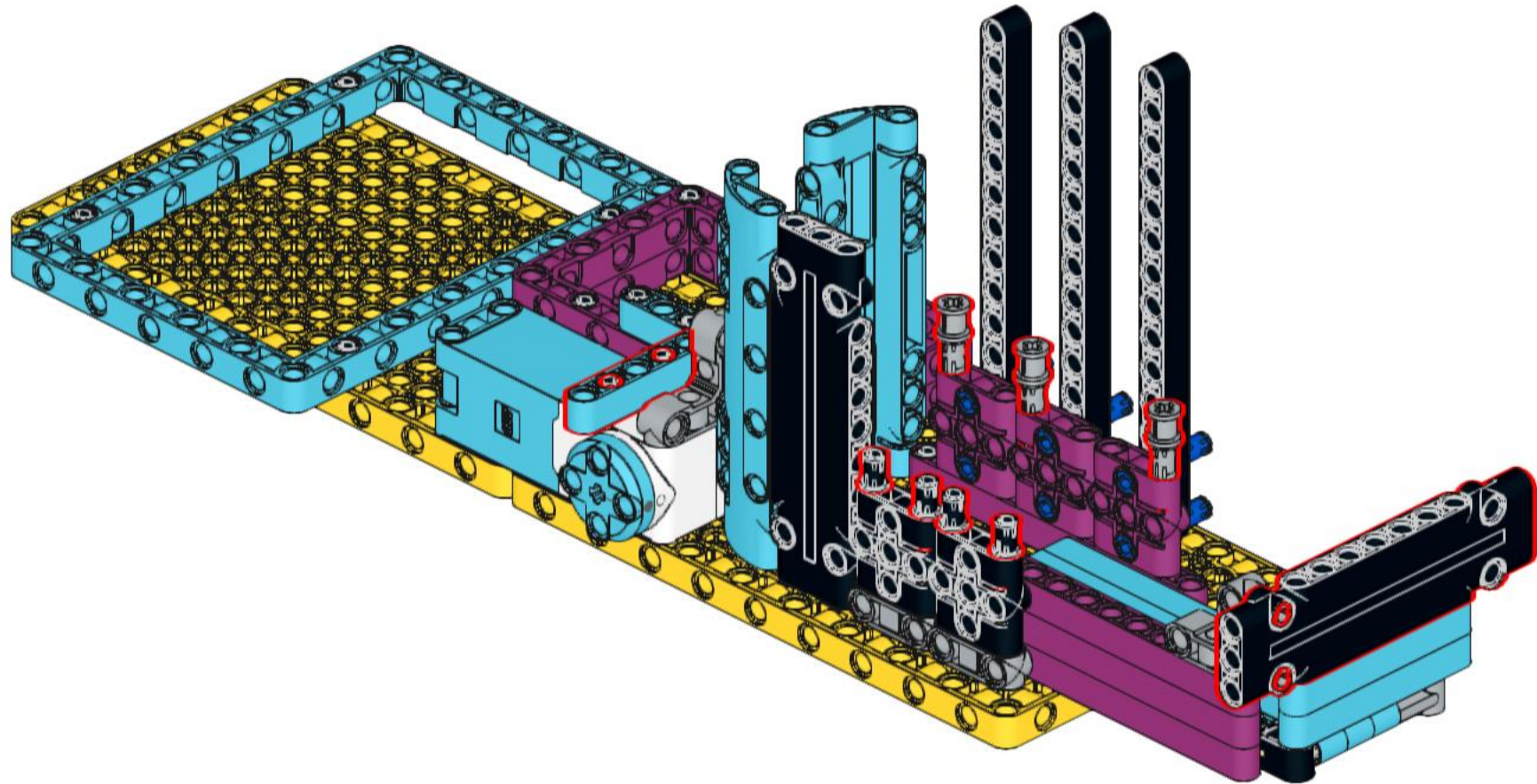
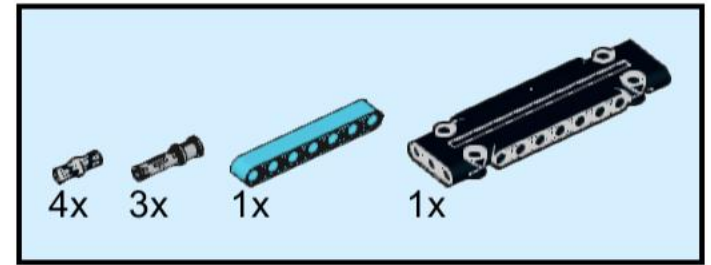
# 18



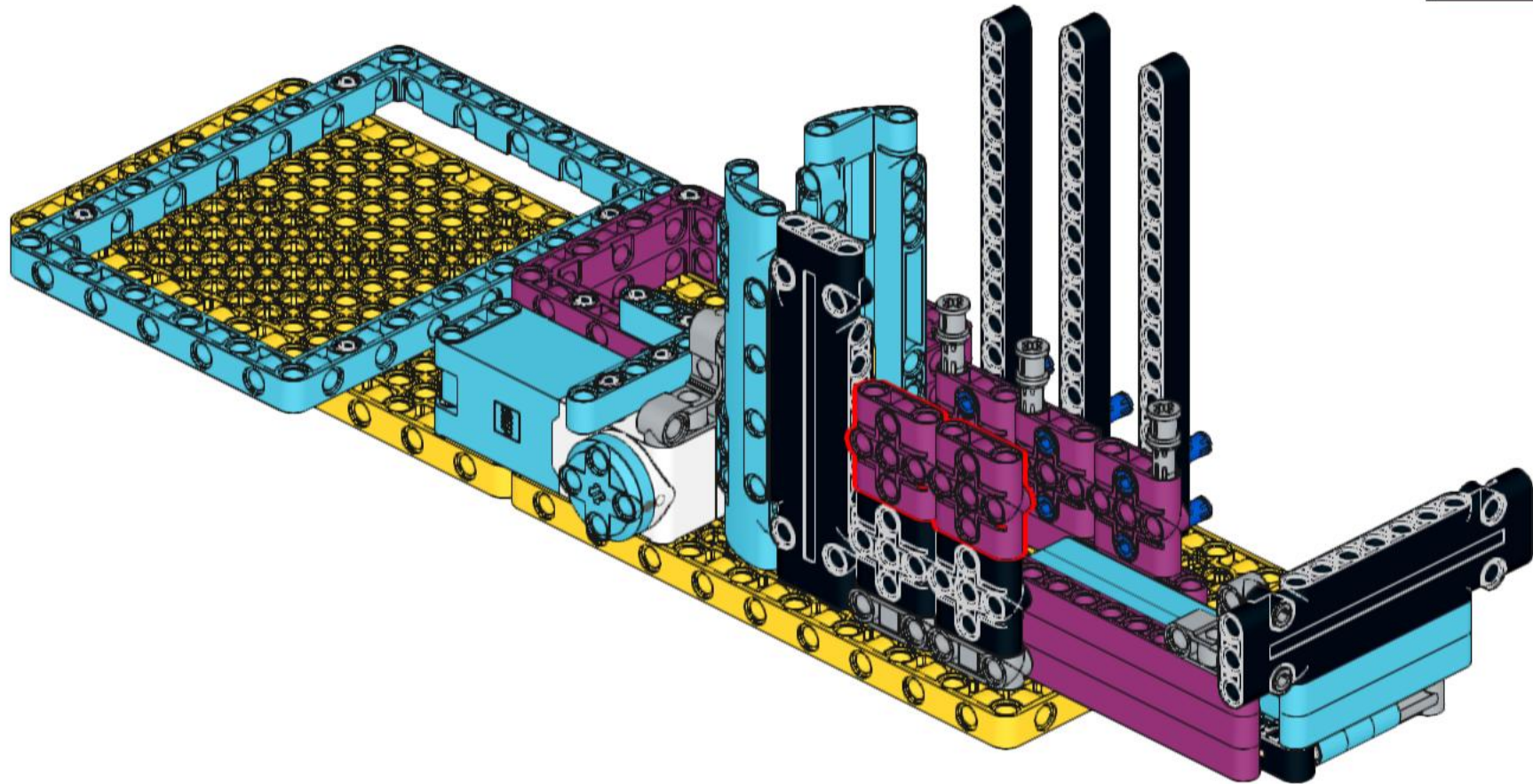
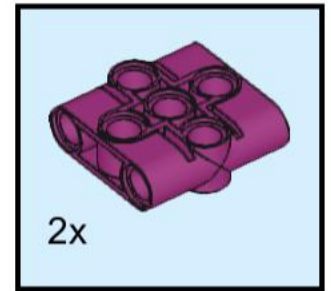
# 19



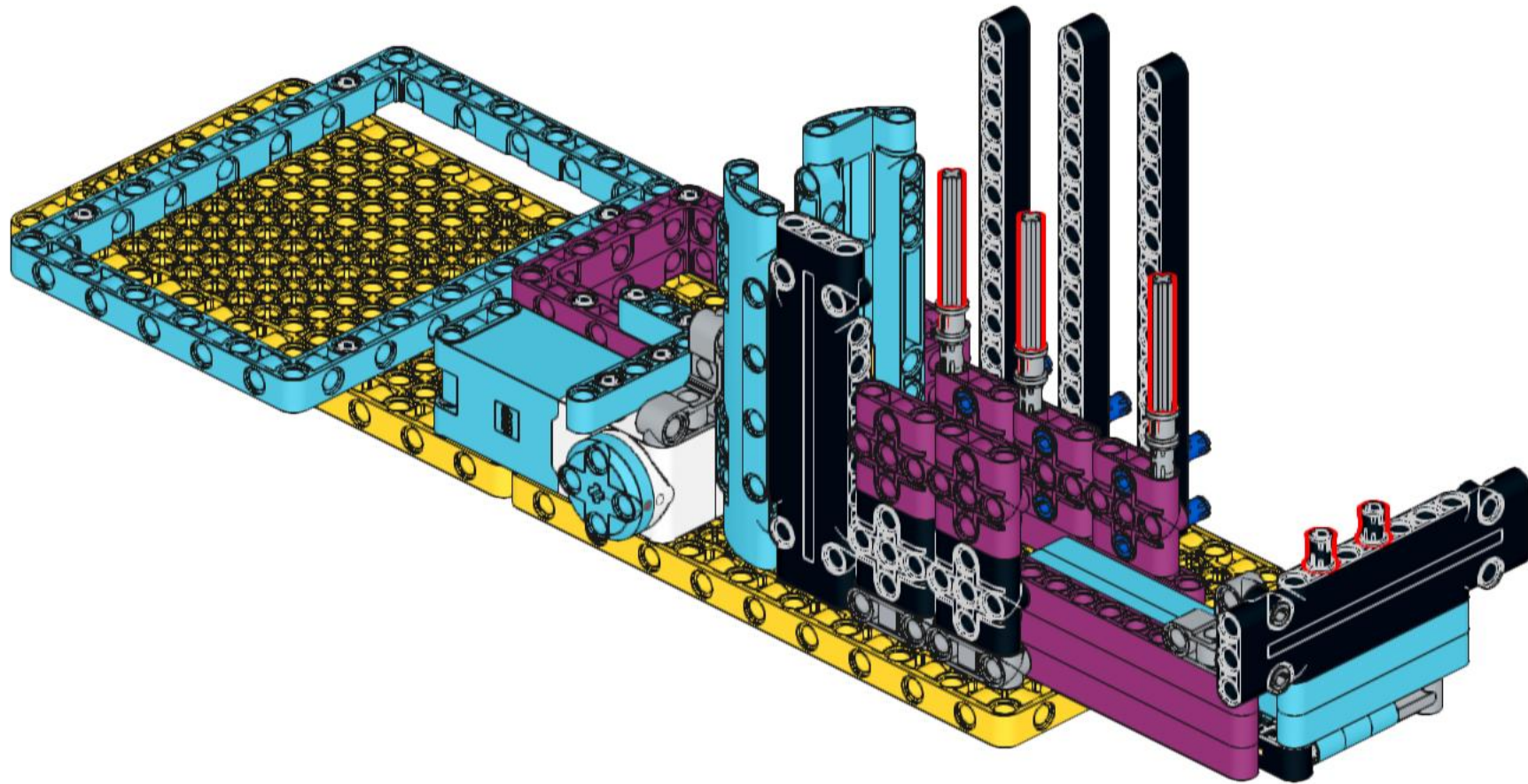
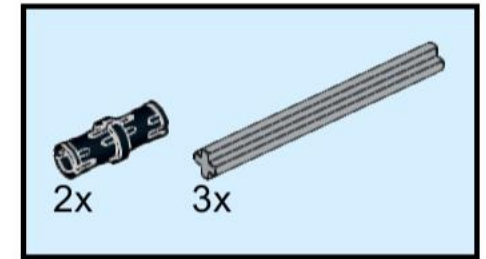
# 20



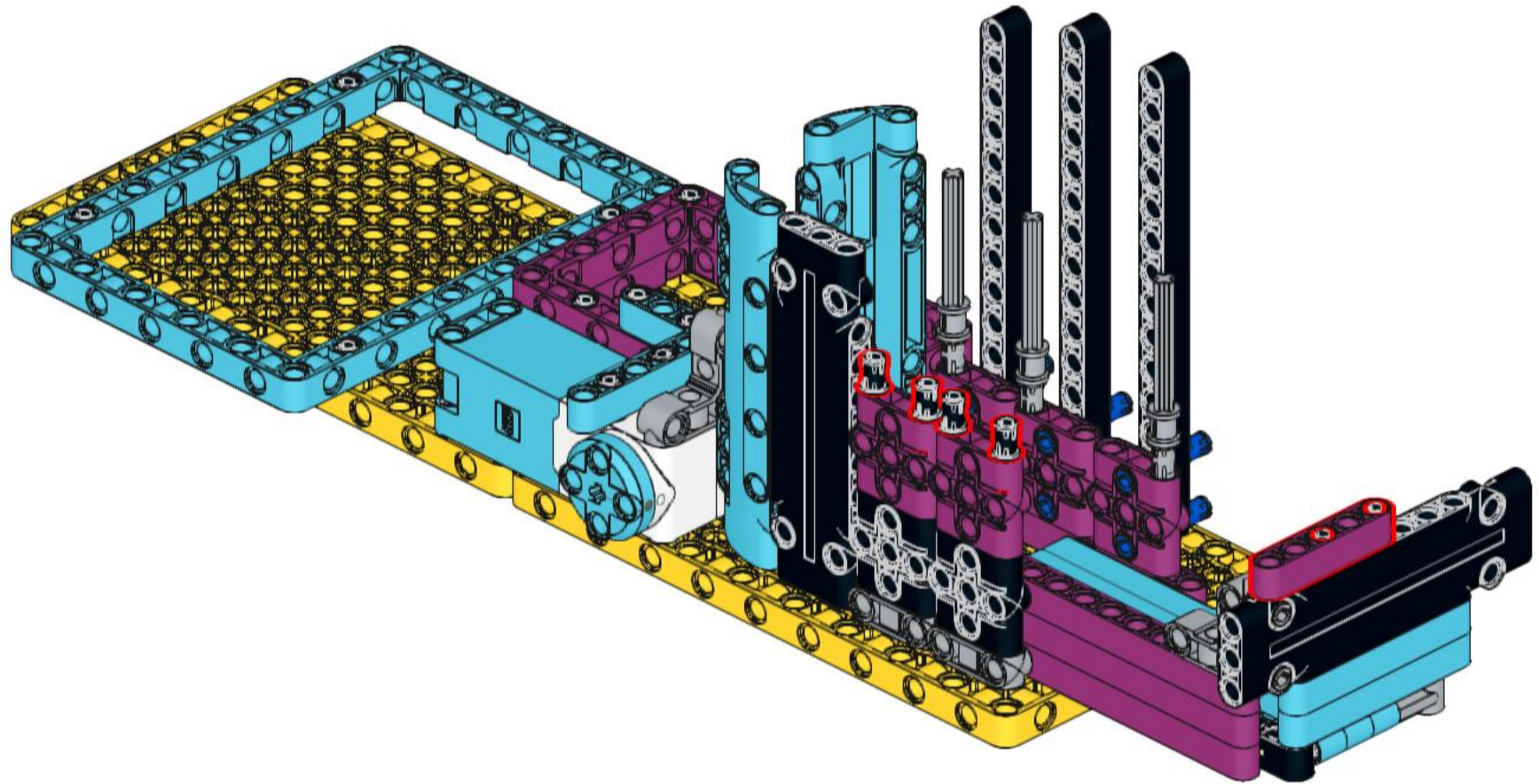
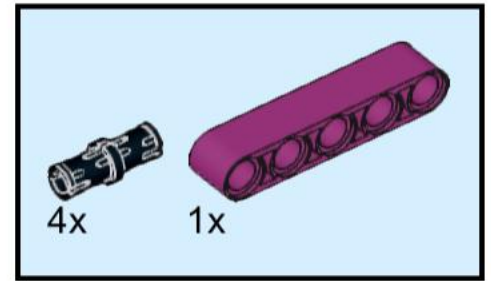
# 21



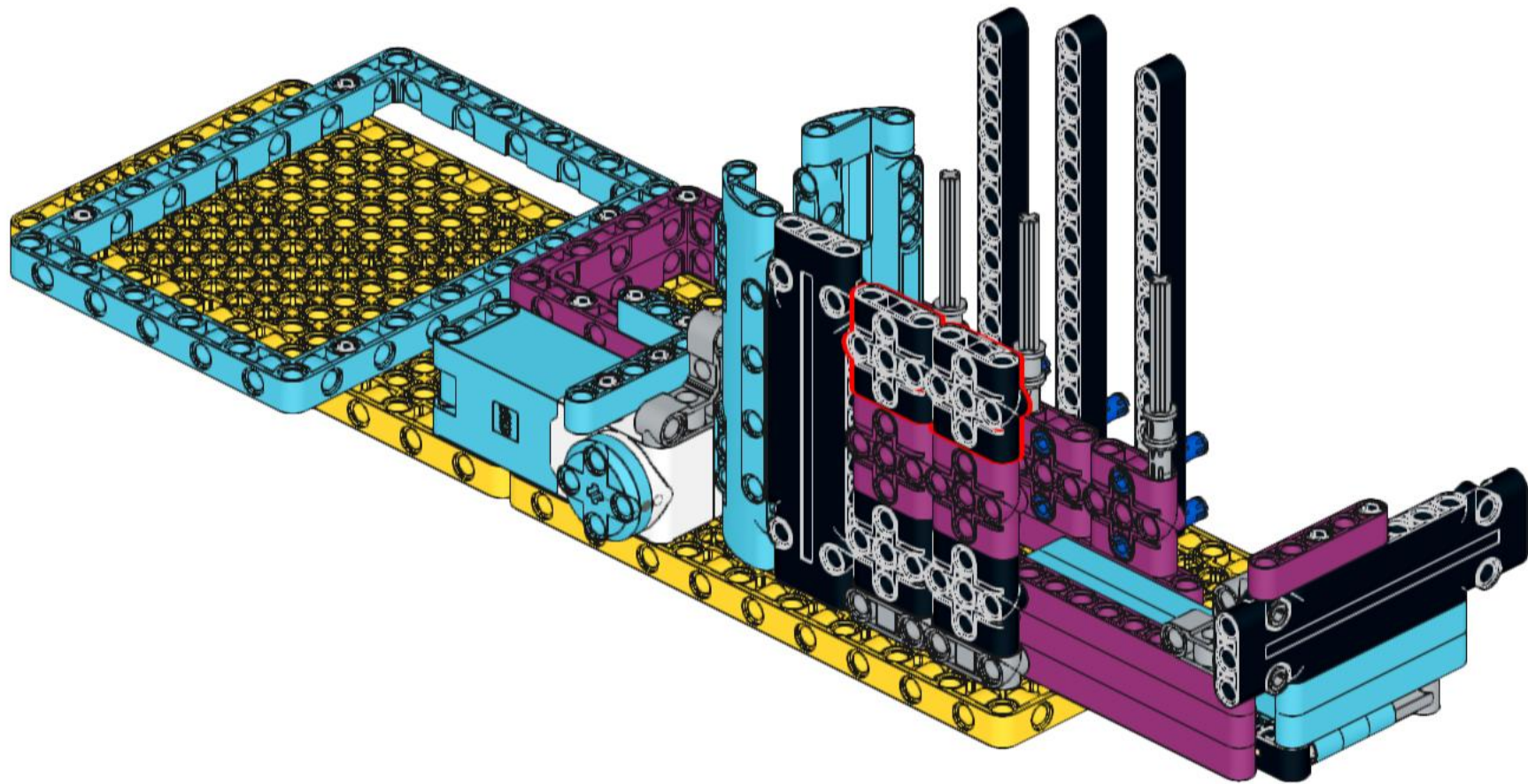
# 22



# 23

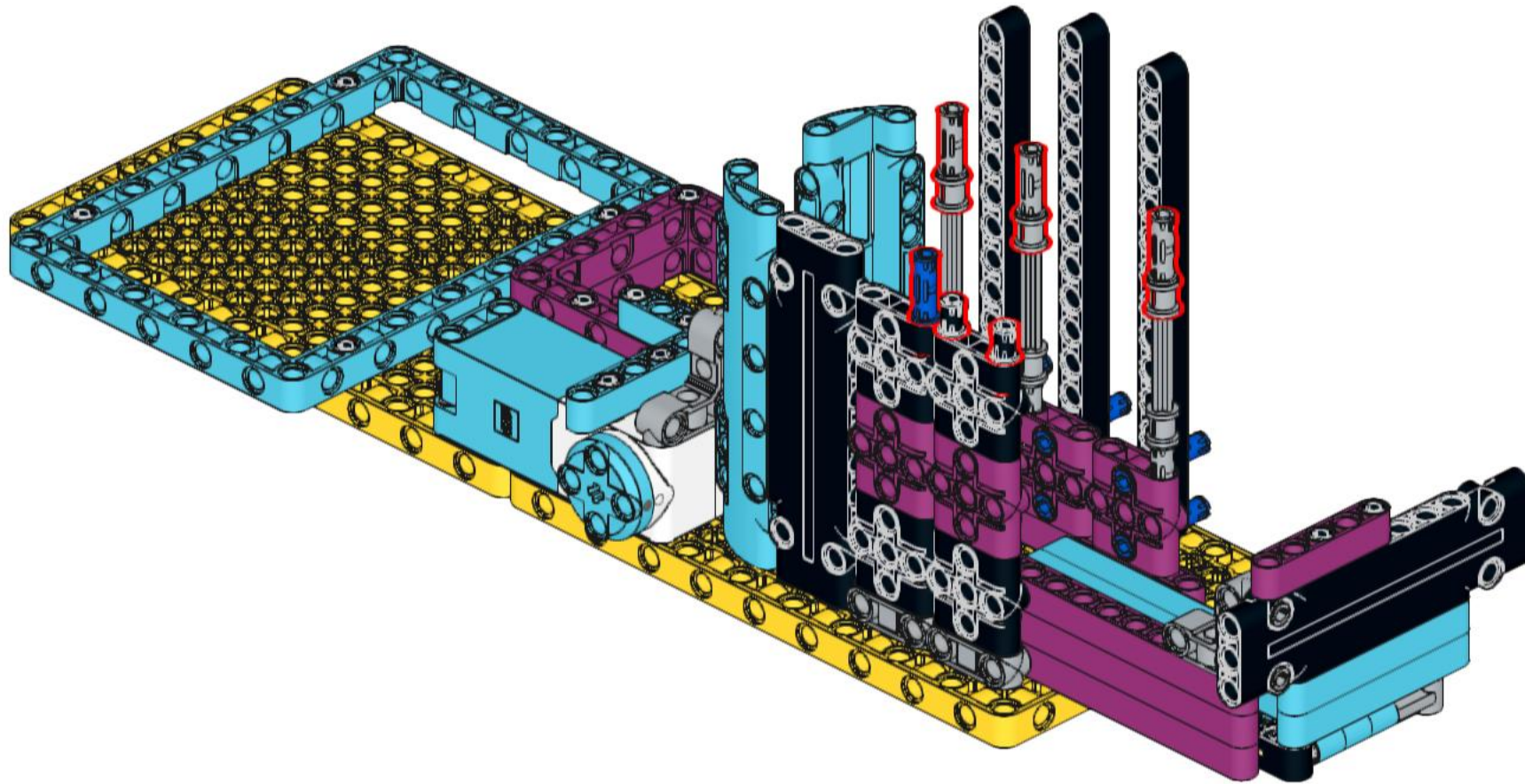
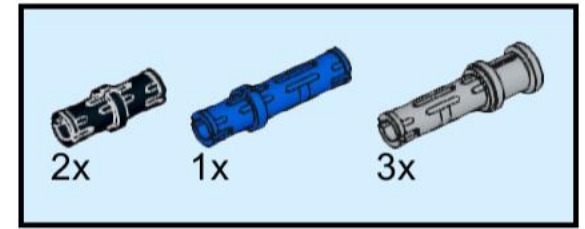


# 24

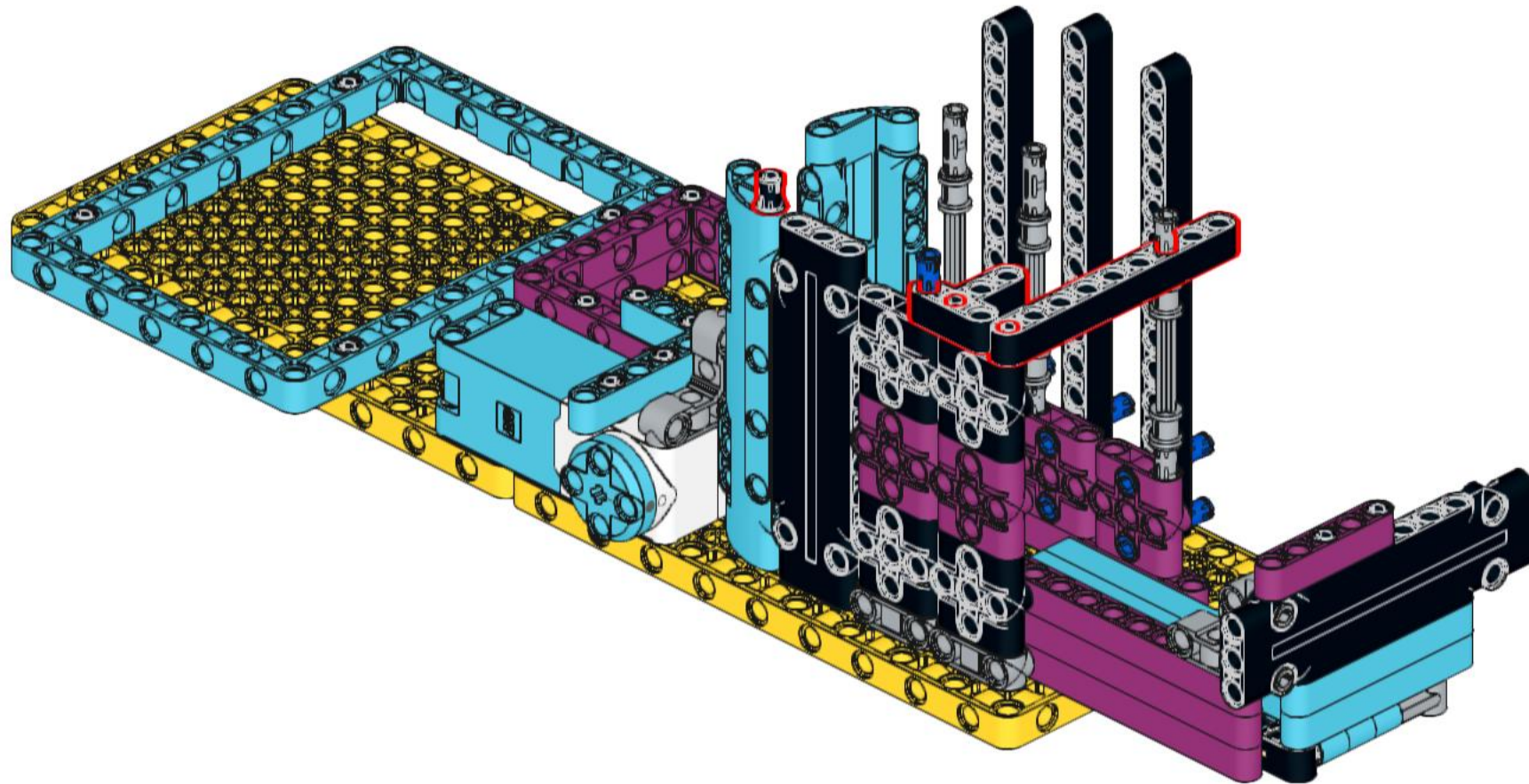
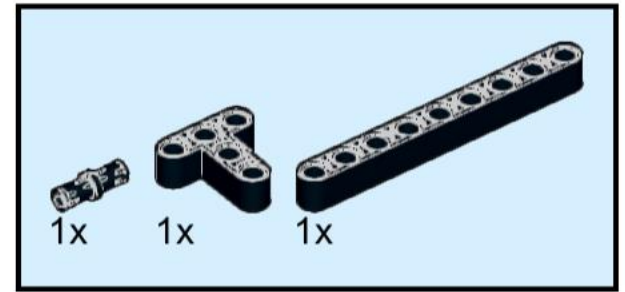




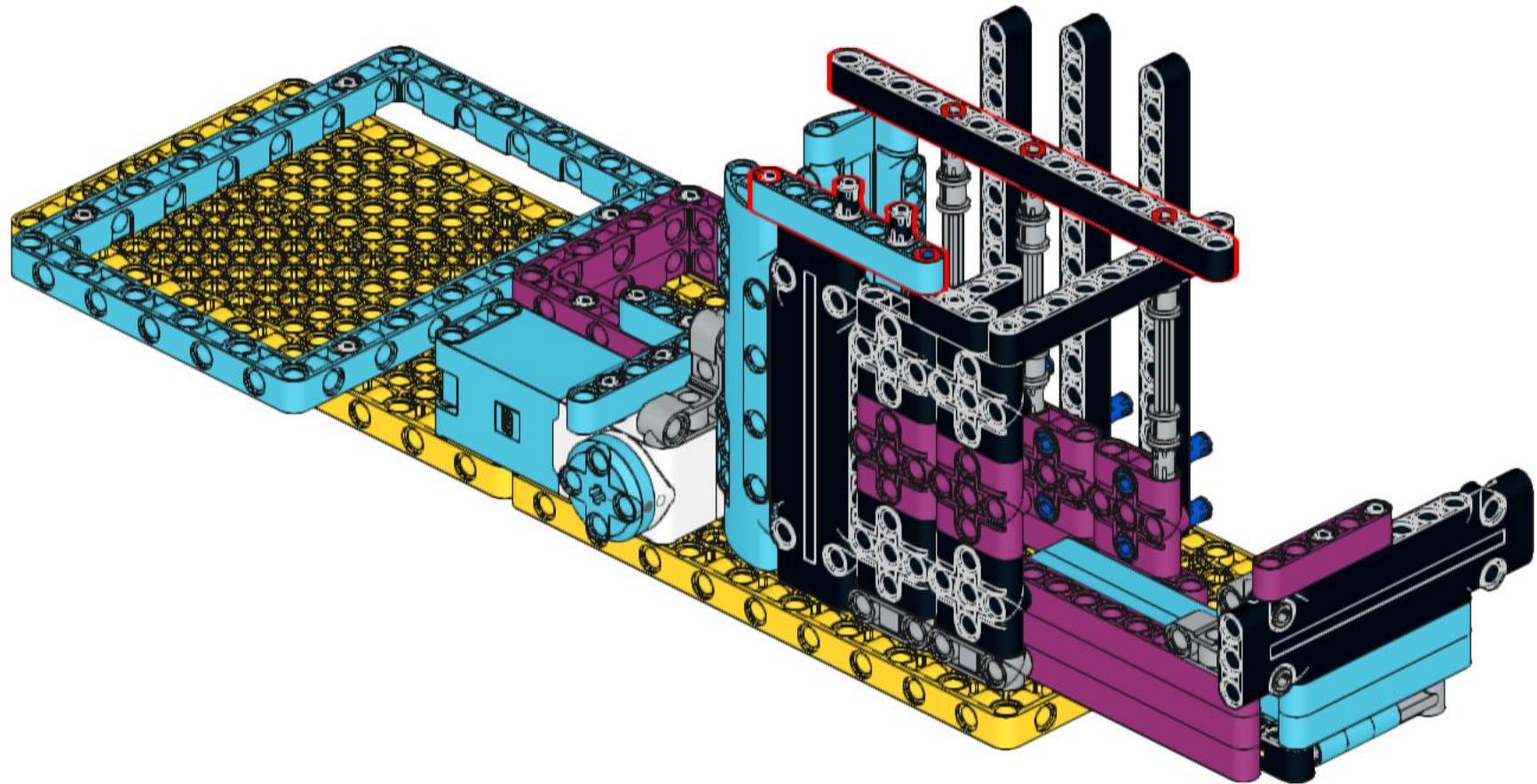
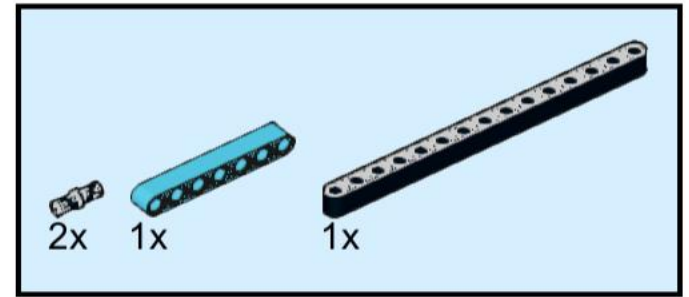
# 25



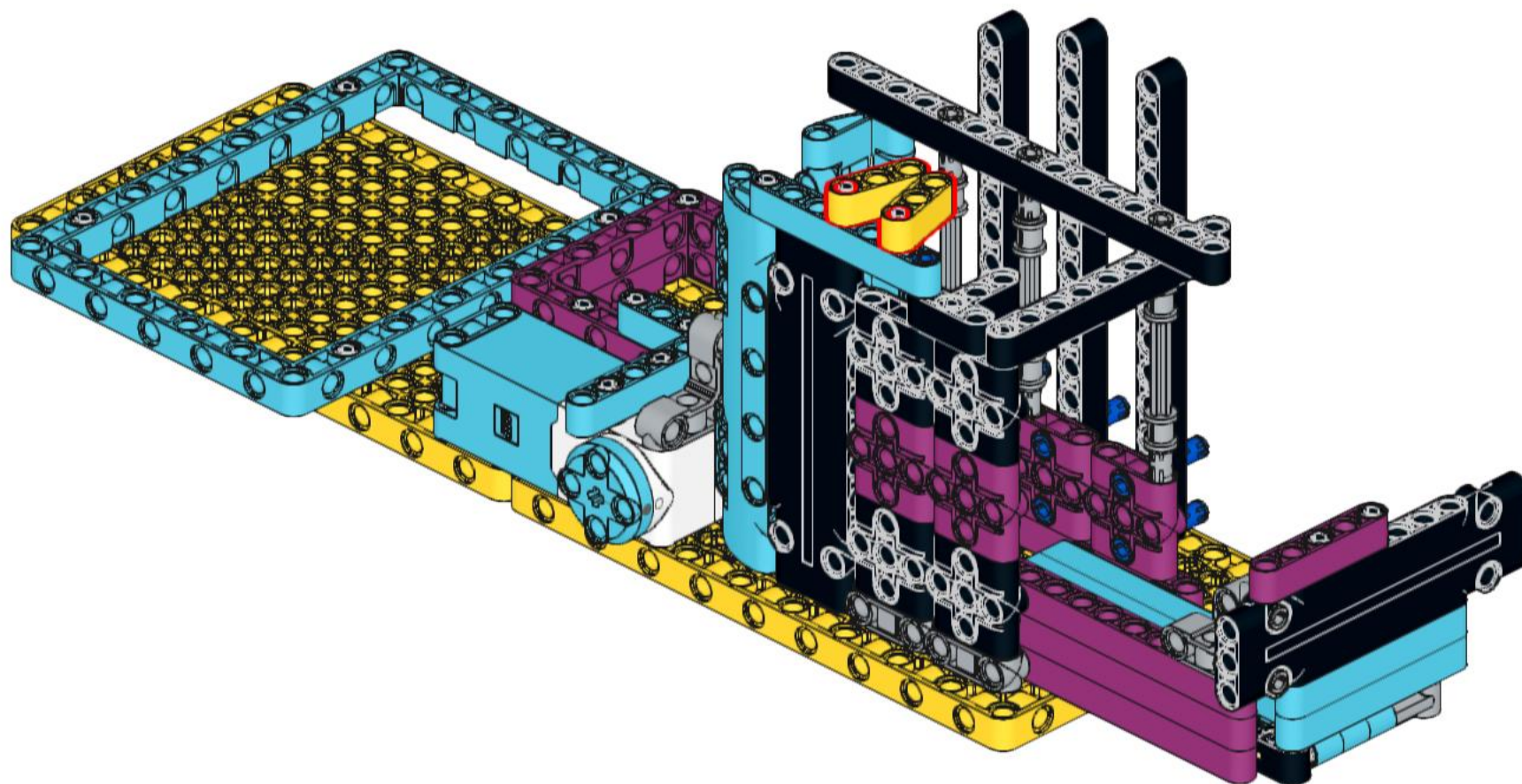
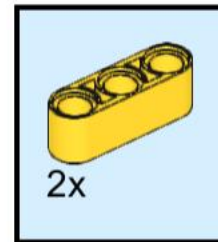
# 26



# 27



# 28



# 29

