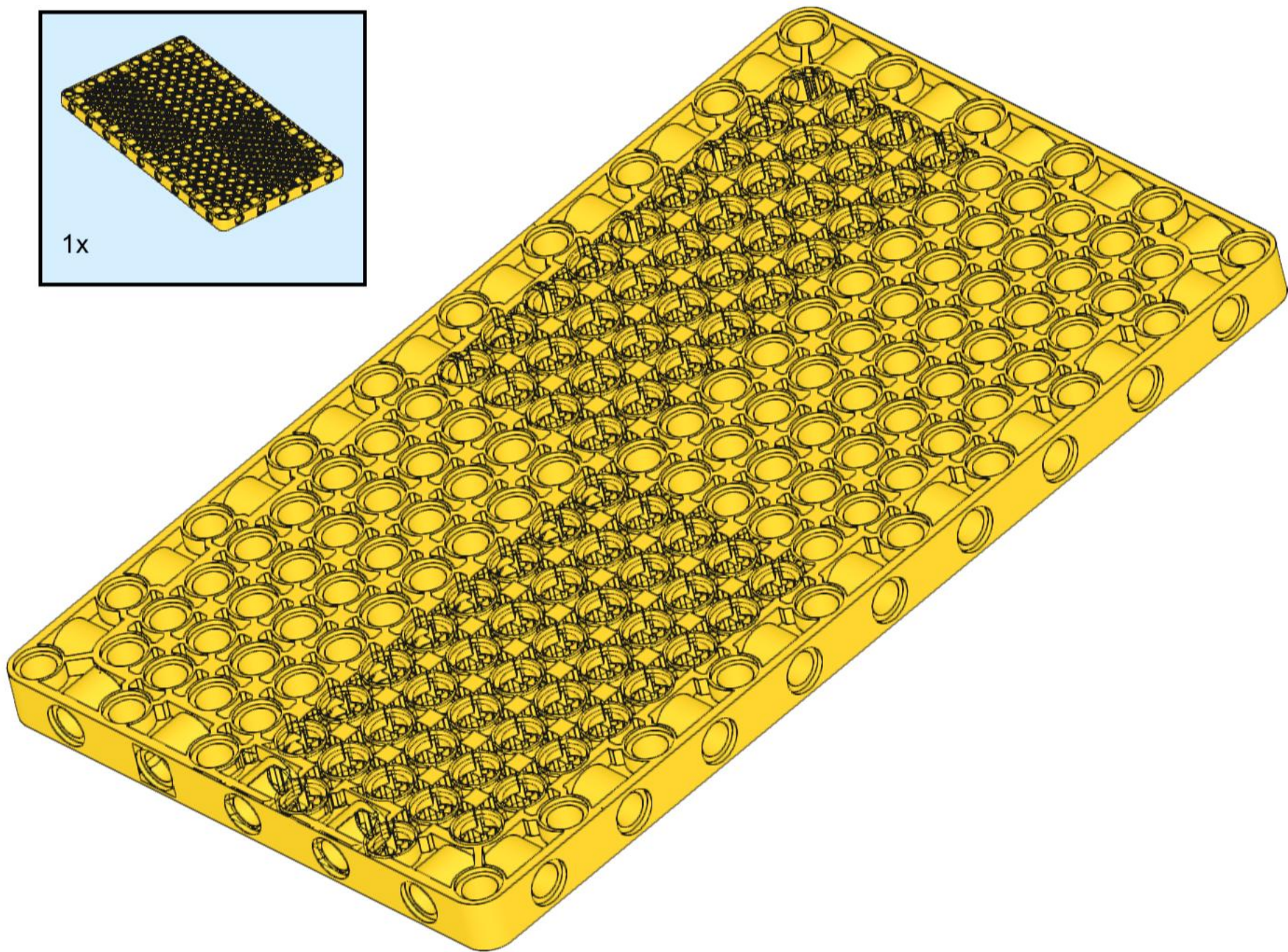
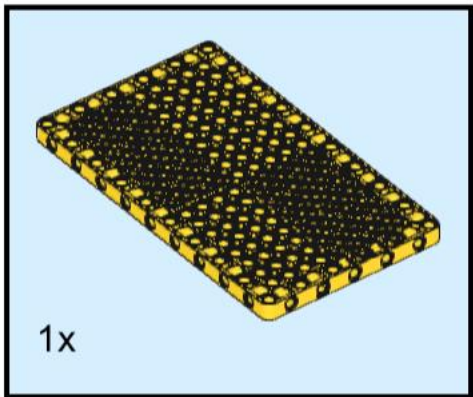
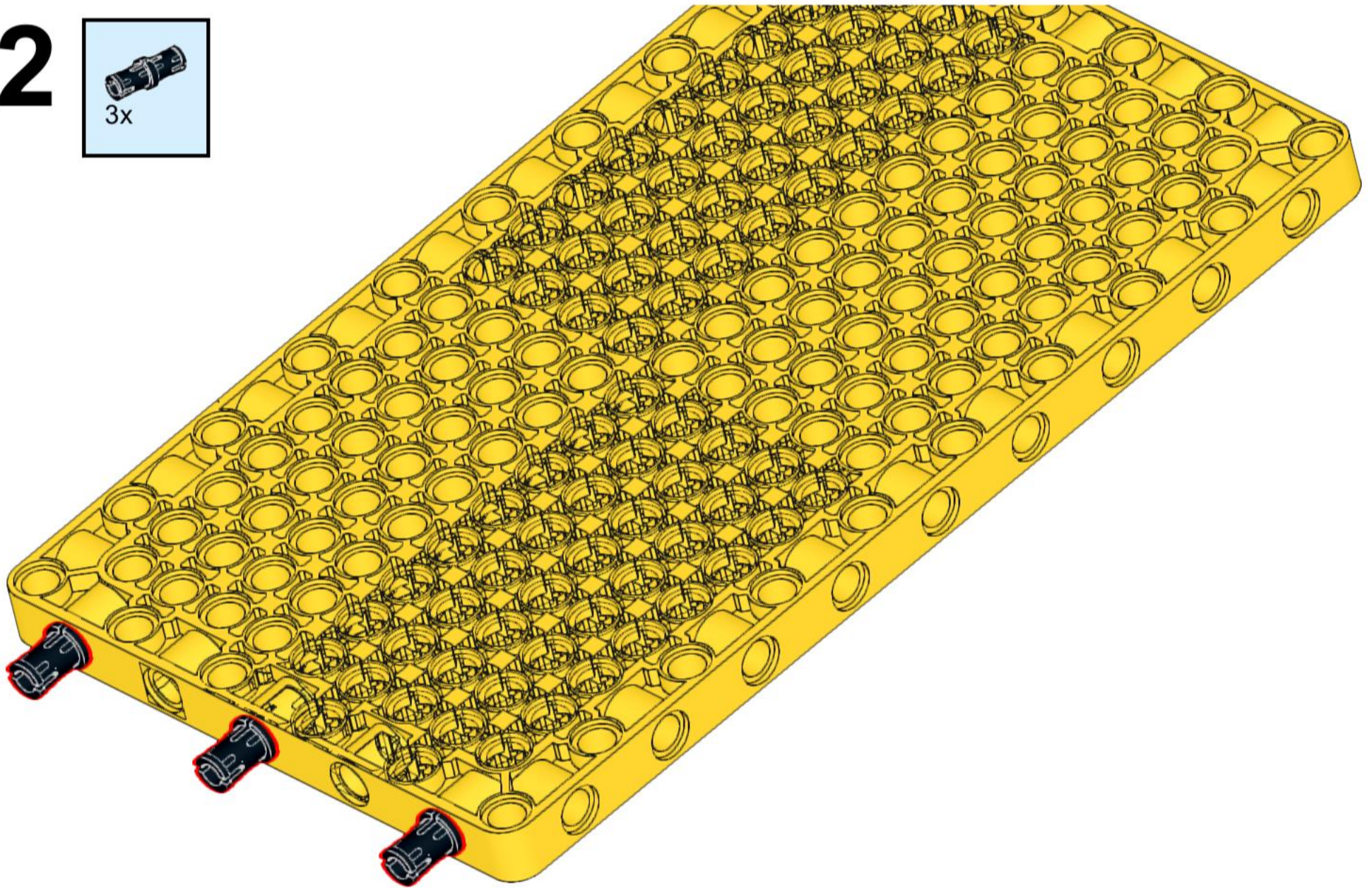


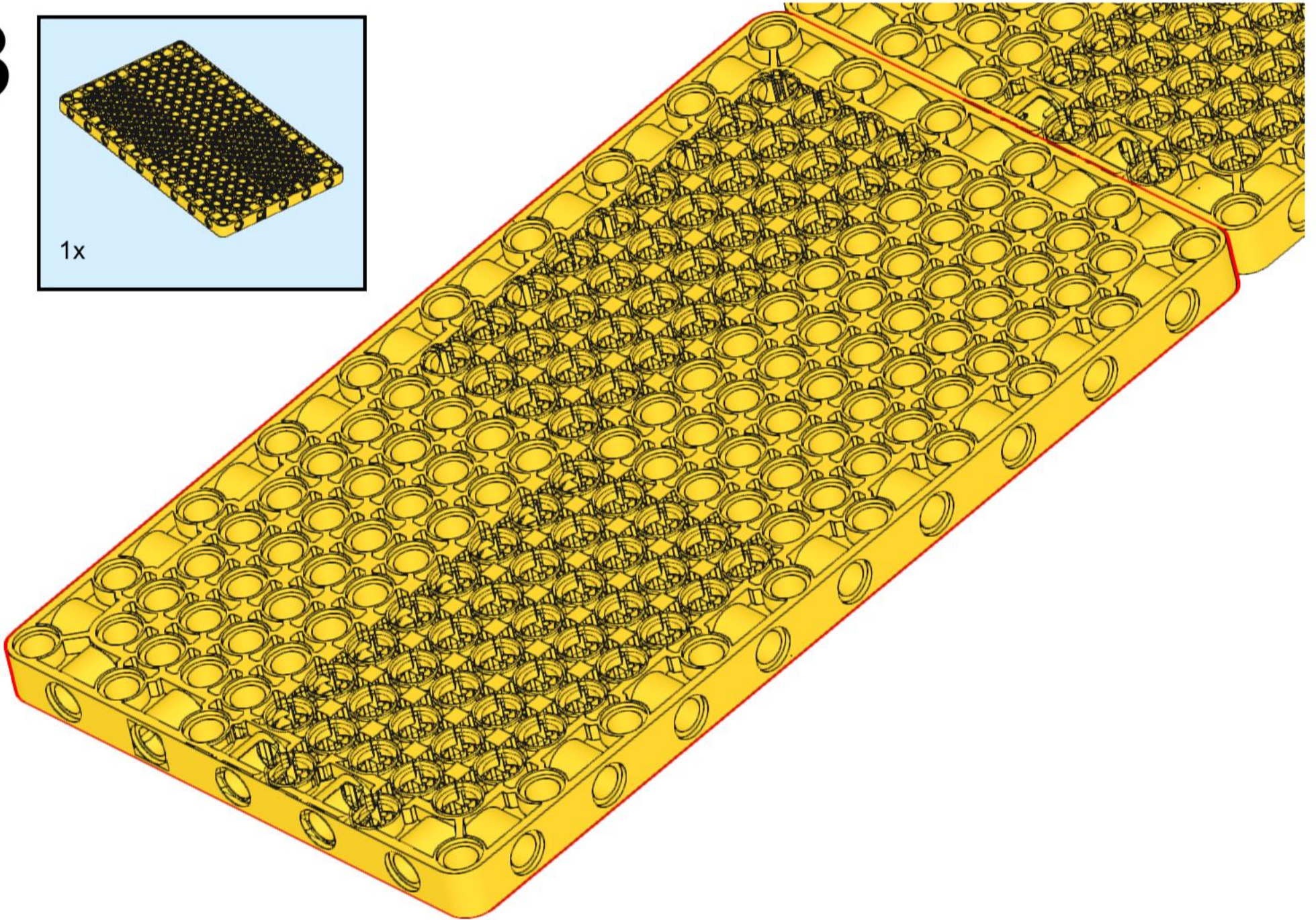
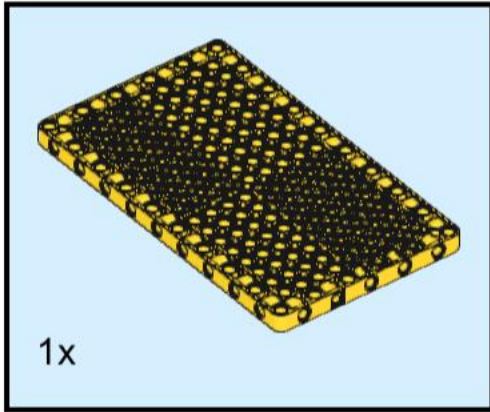
1



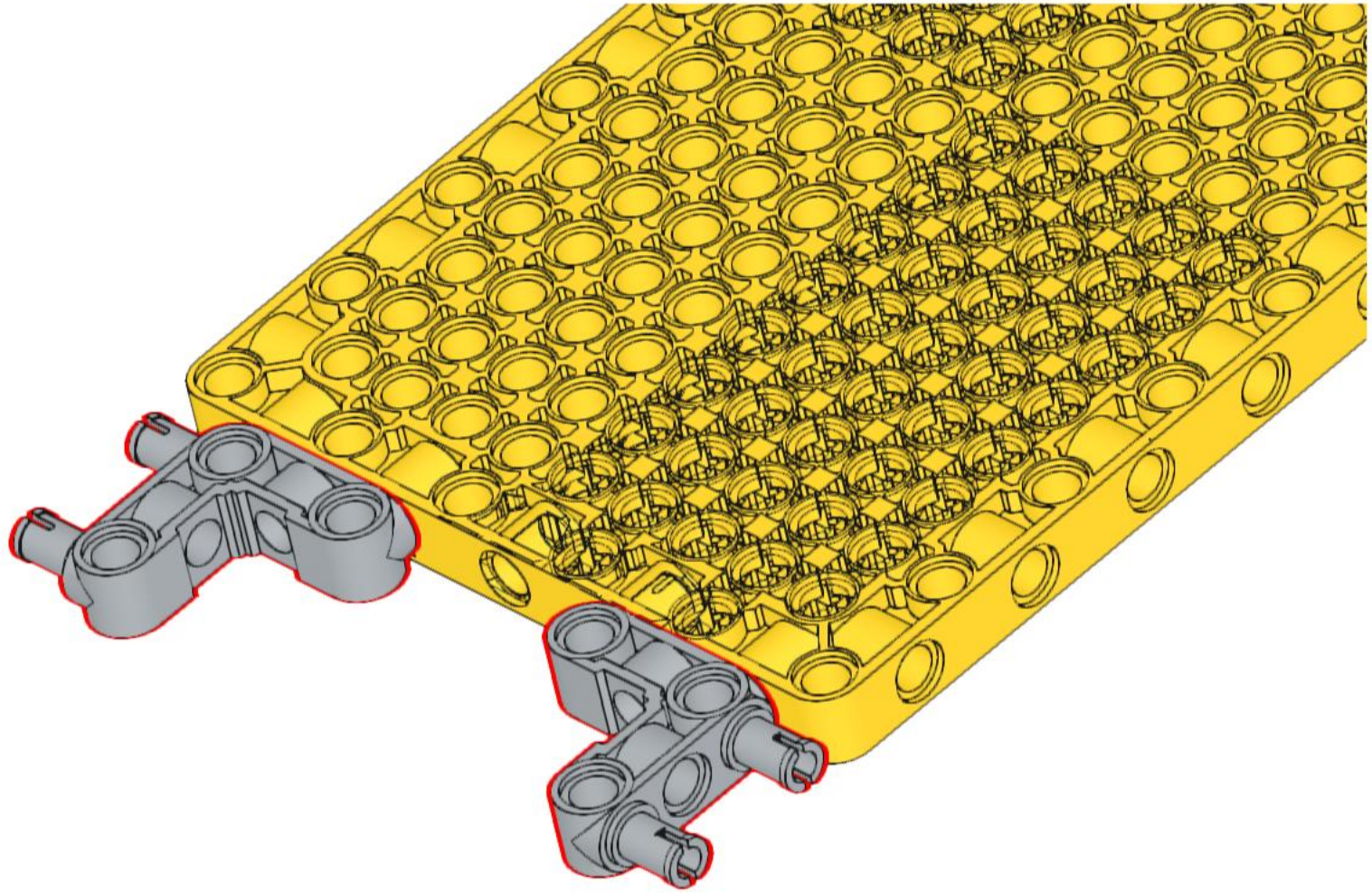
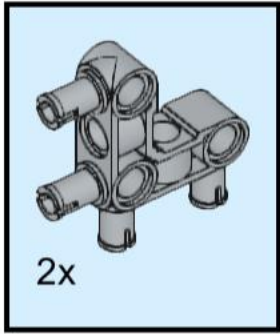
2



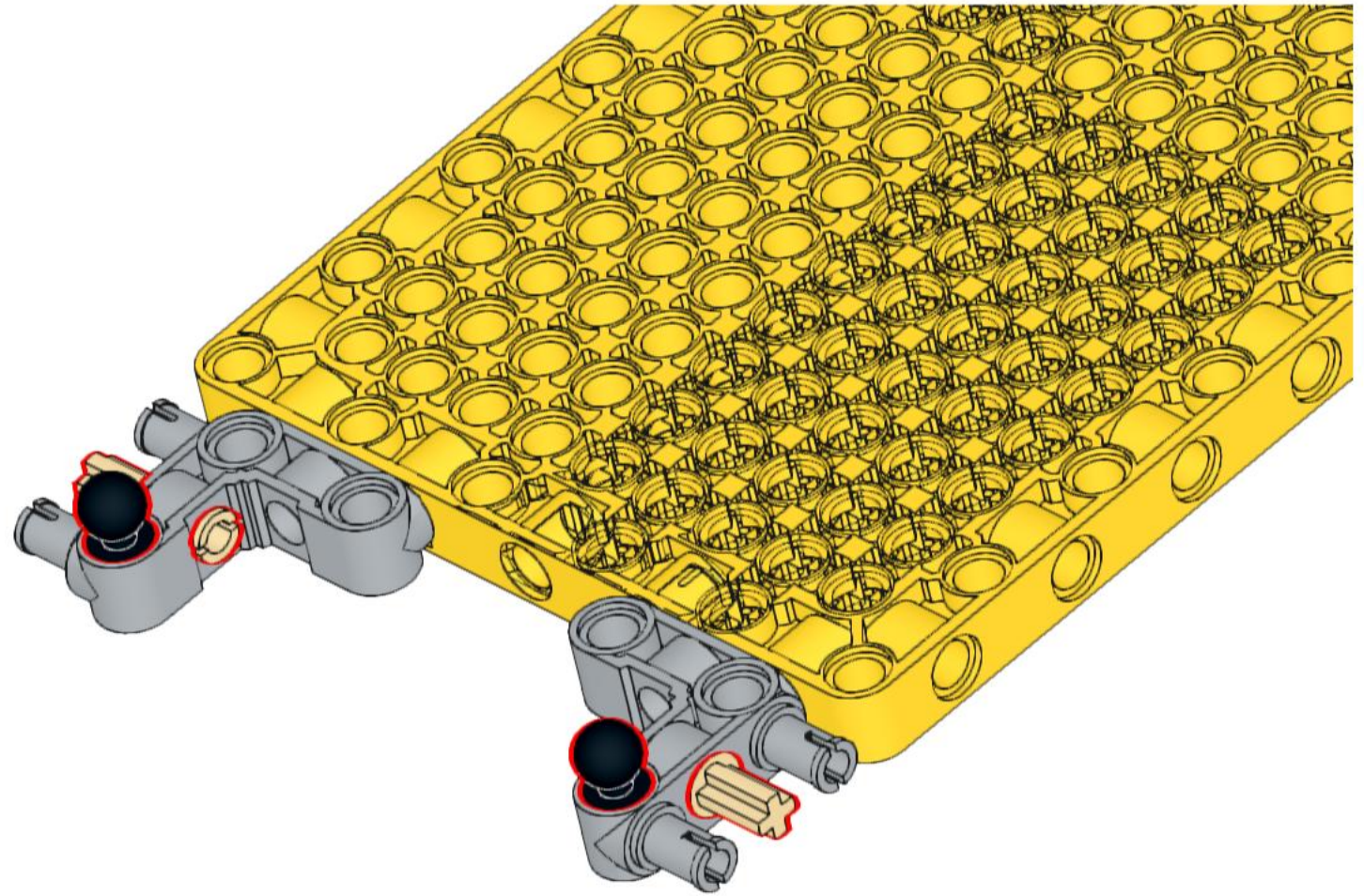
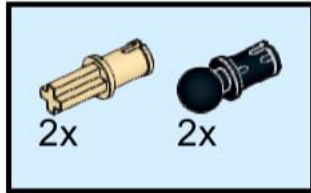
3



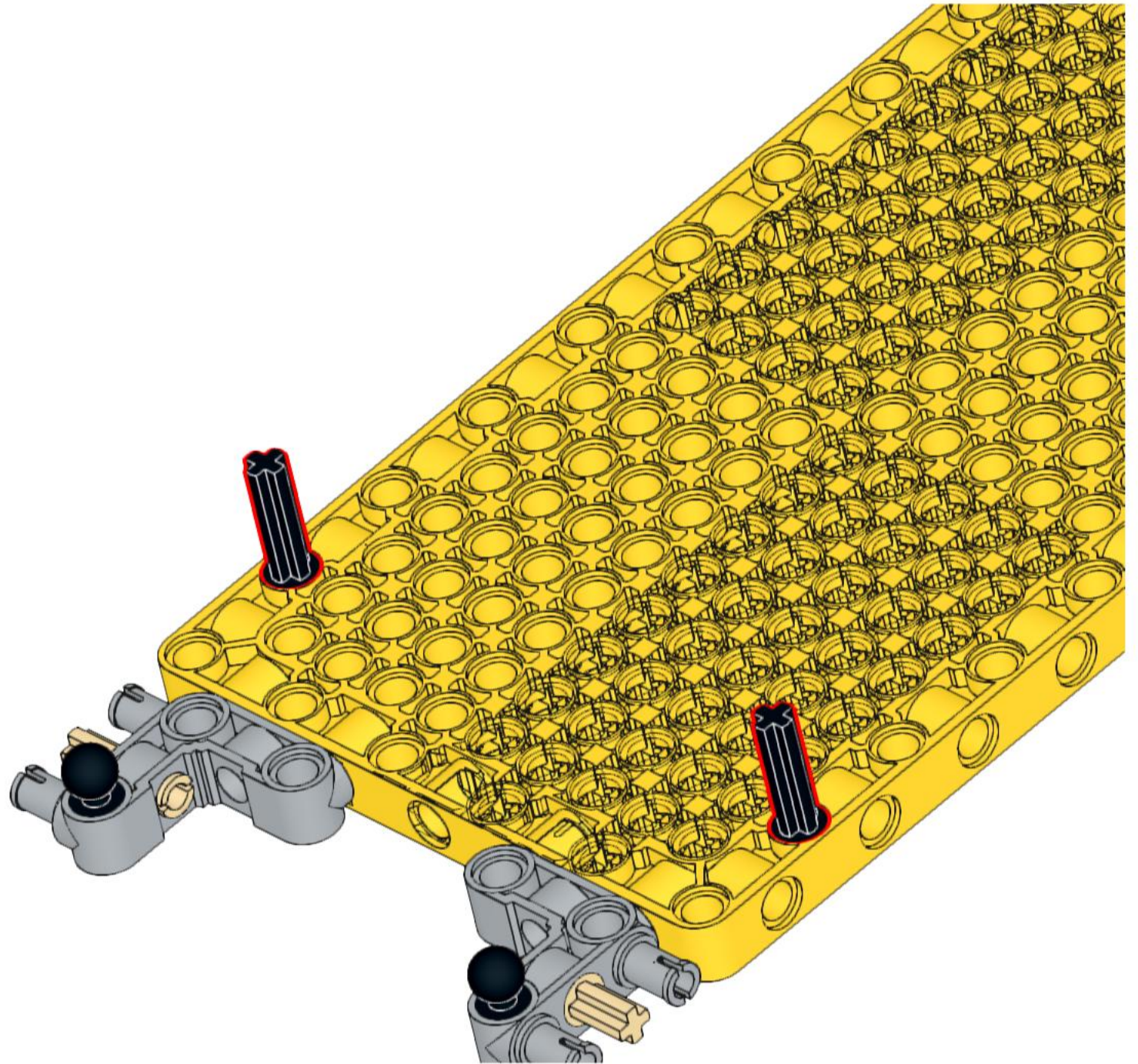
4



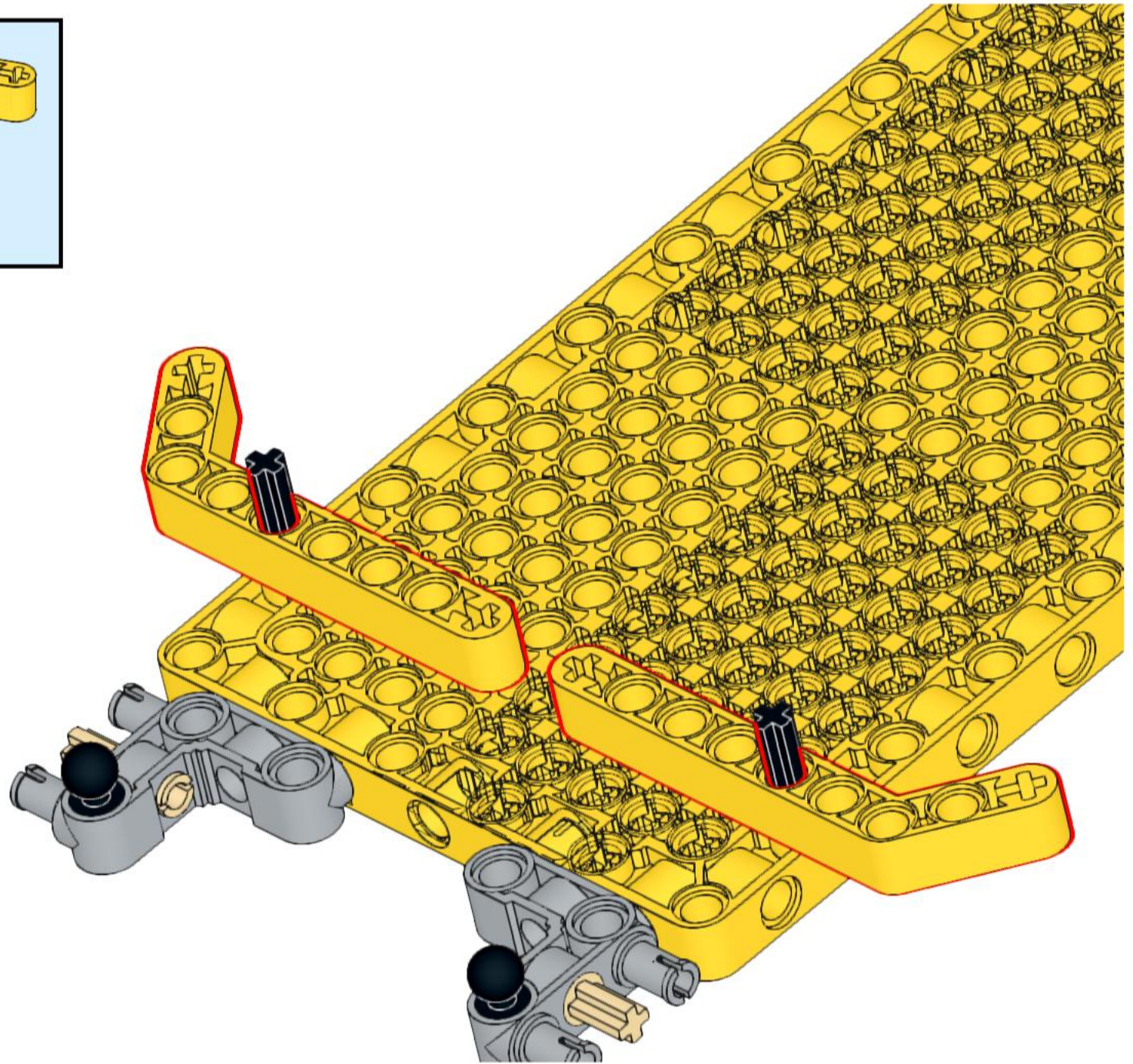
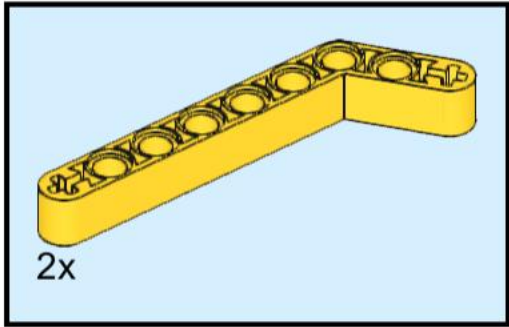
5



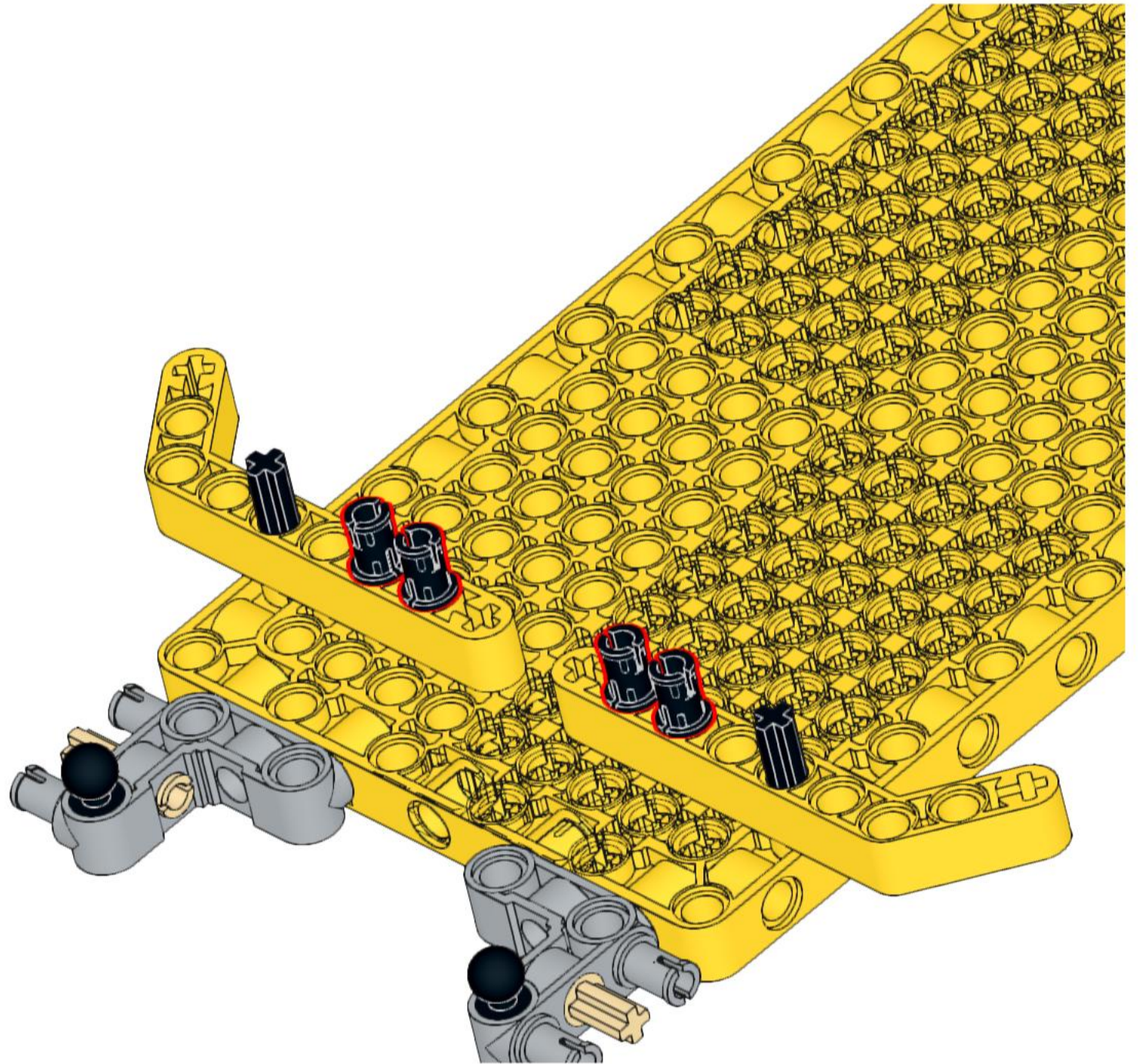
6



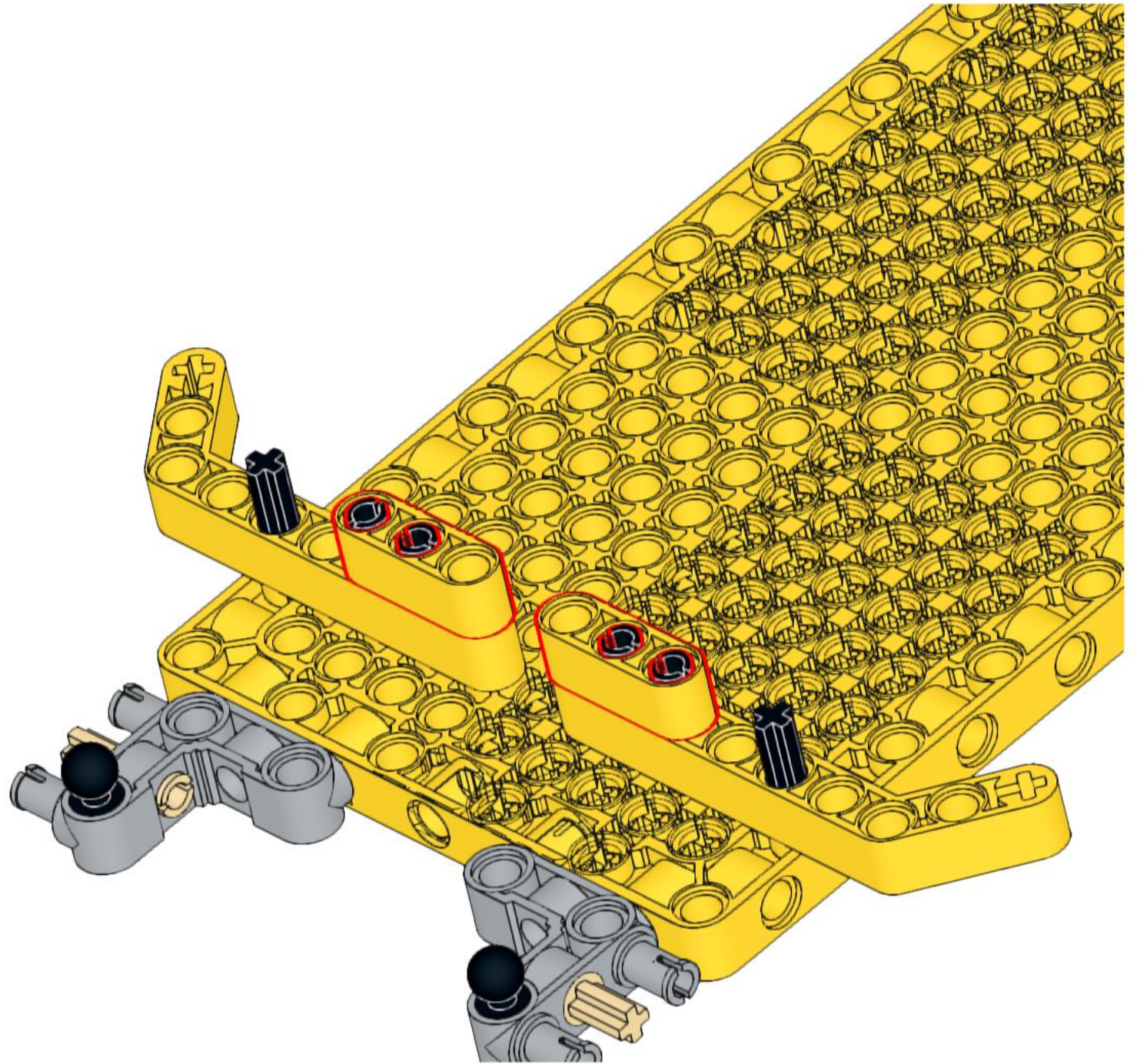
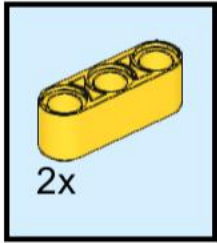
7



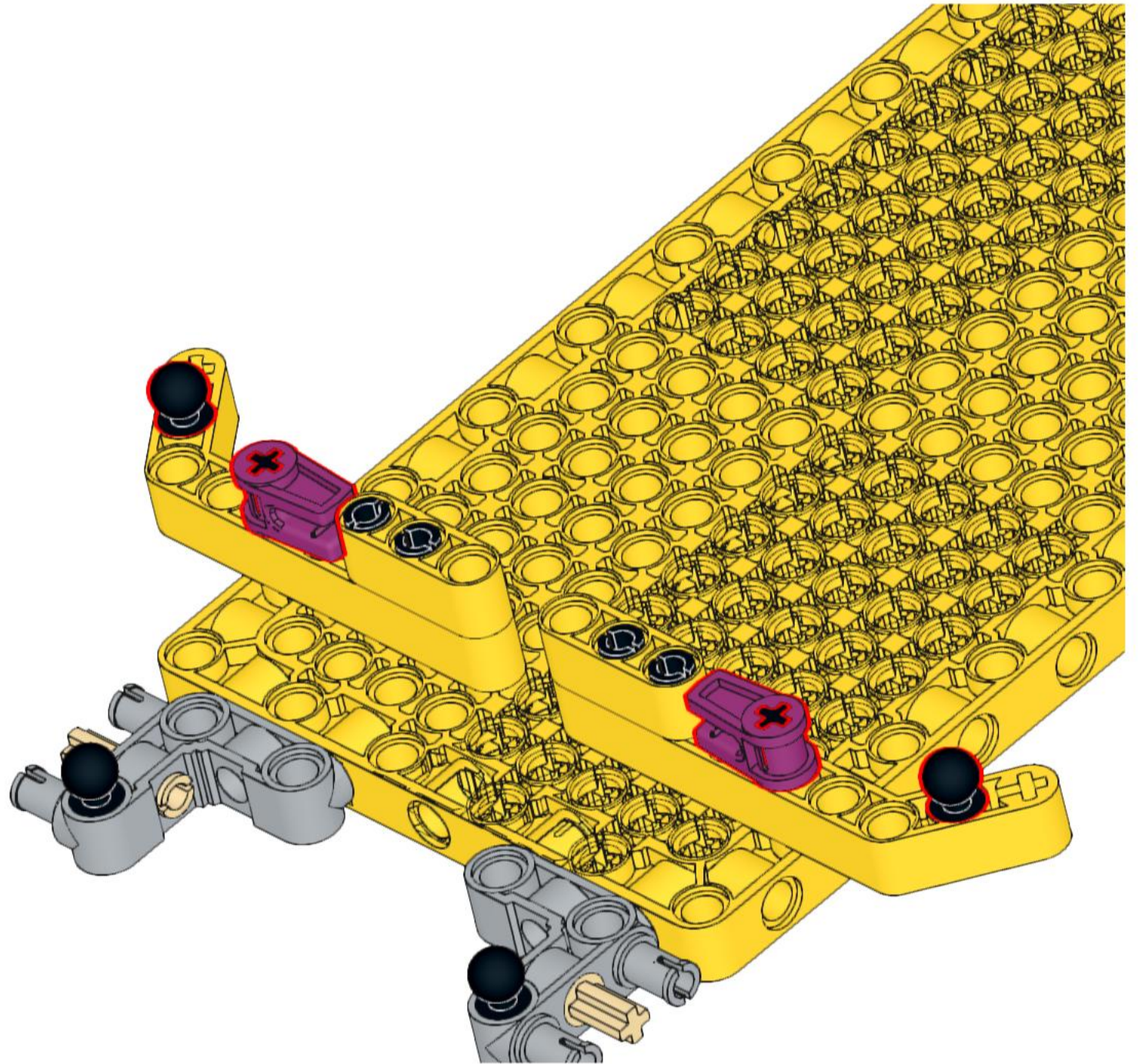
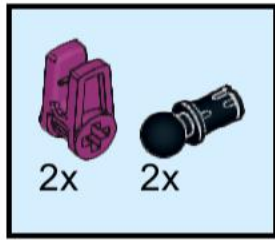
8



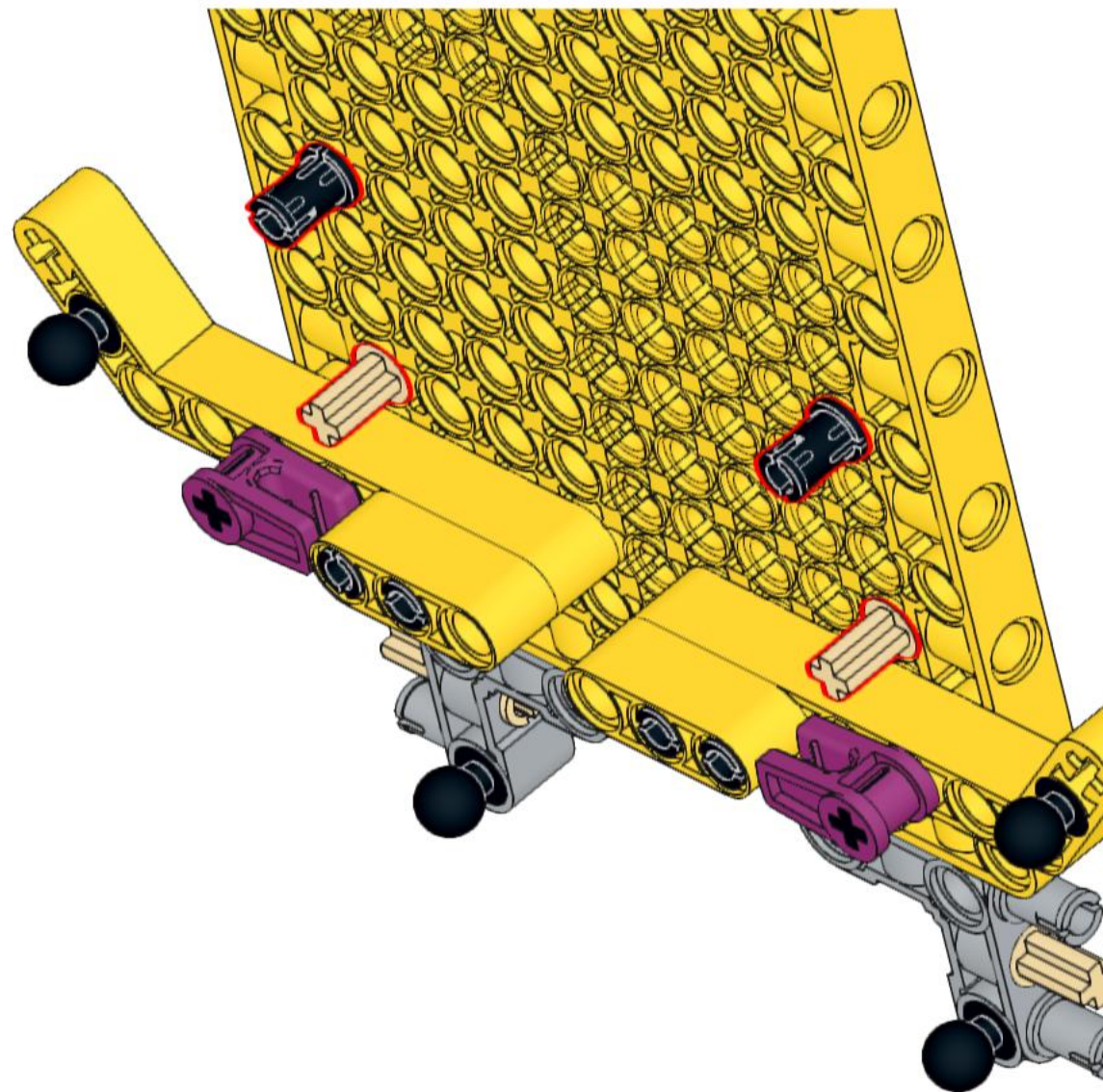
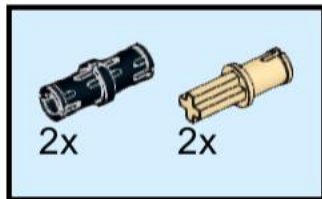
9



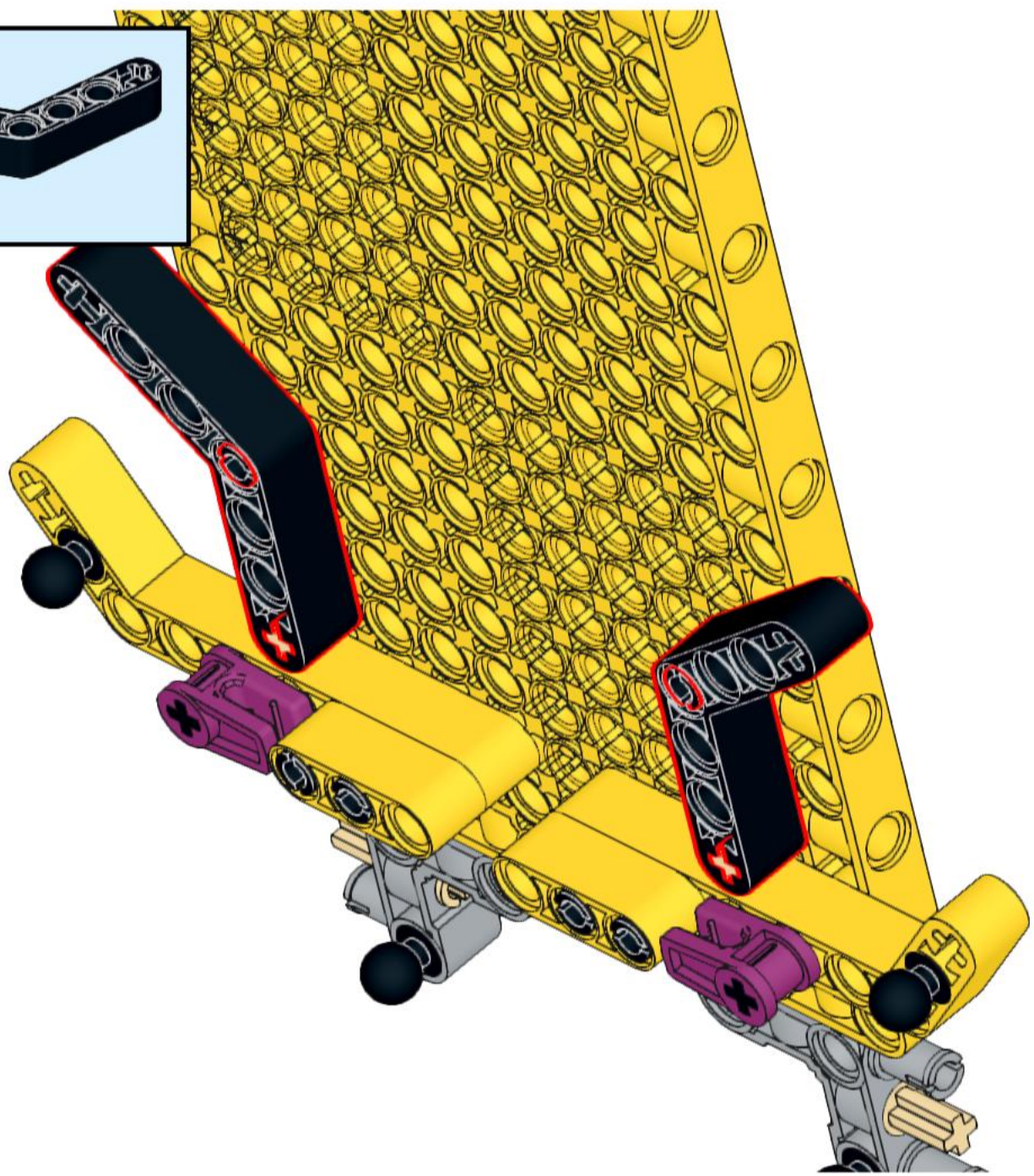
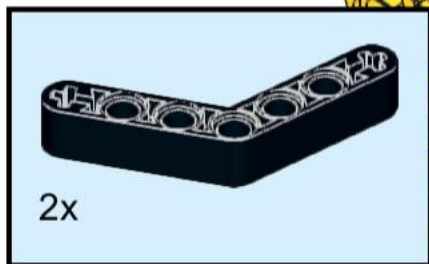
10



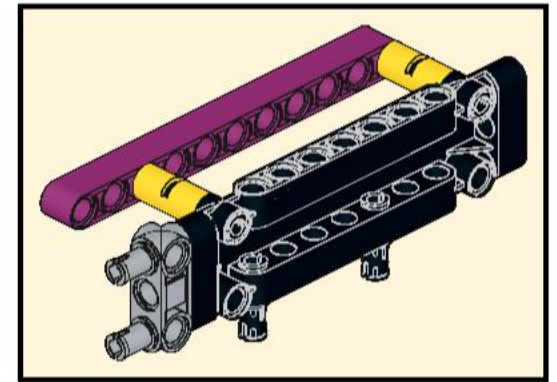
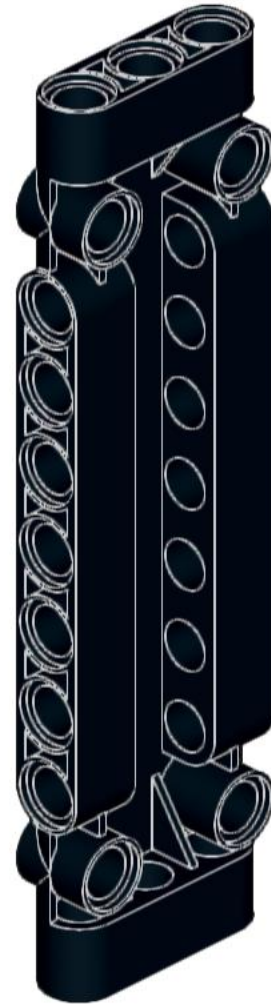
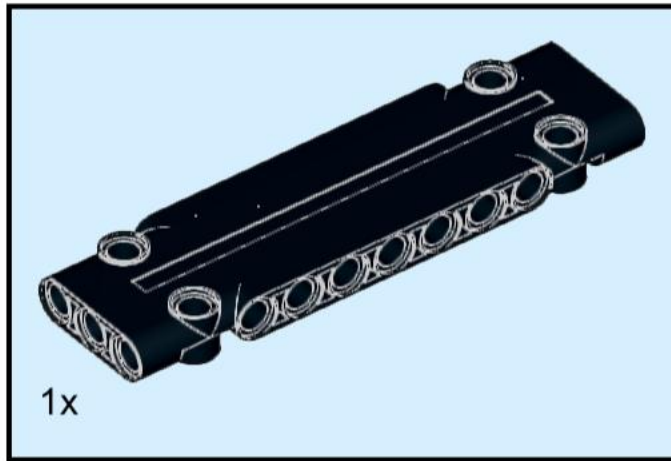
11



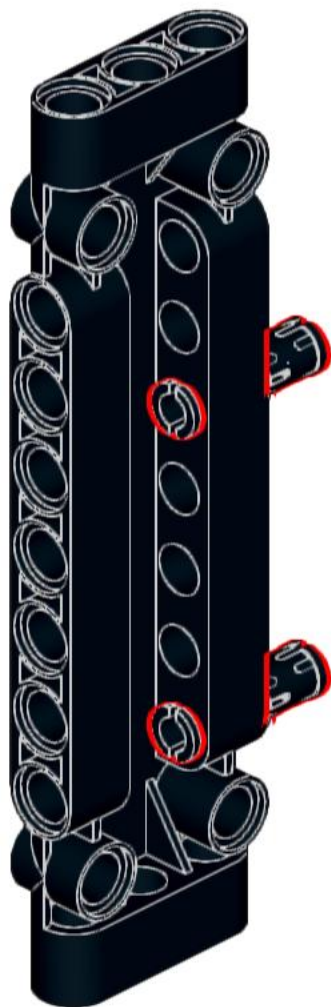
12



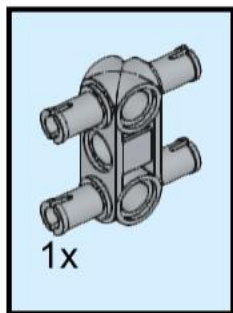
13



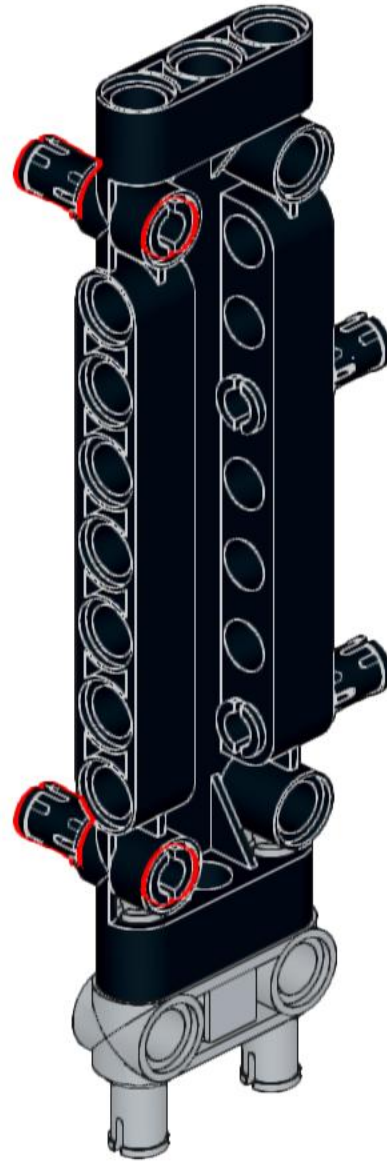
14



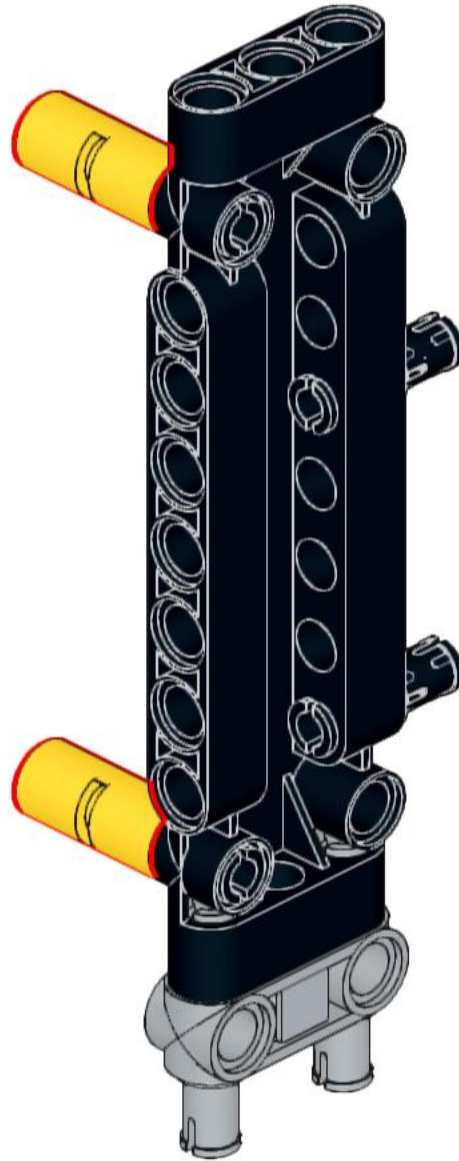
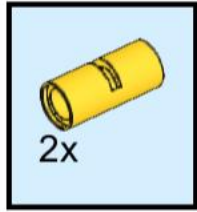
15



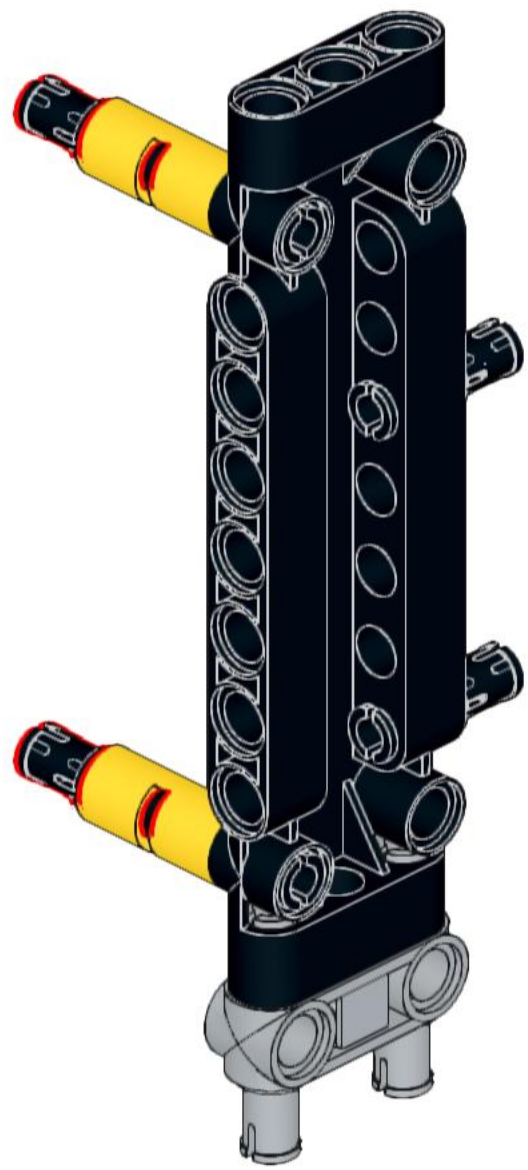
16



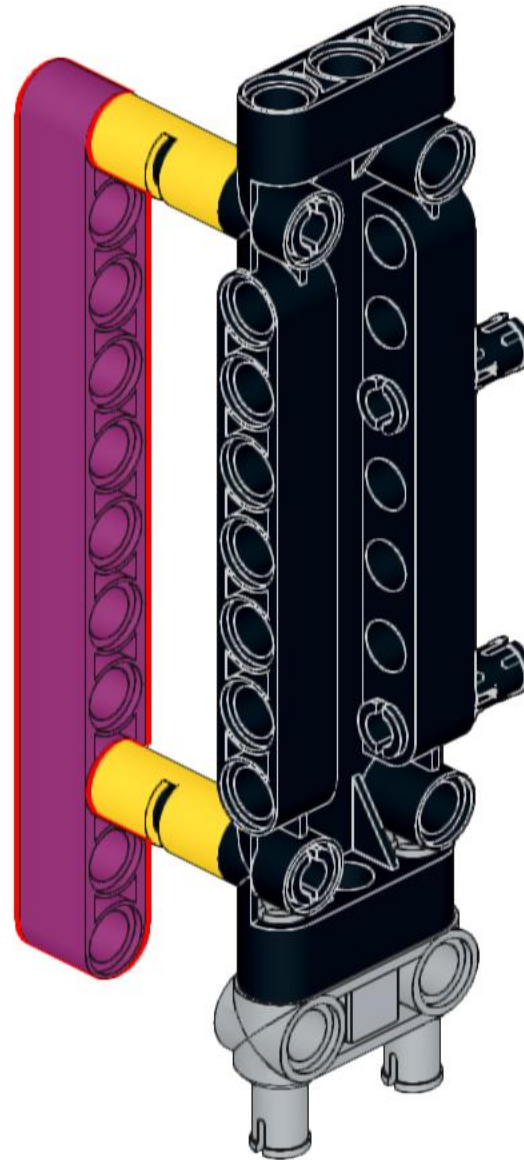
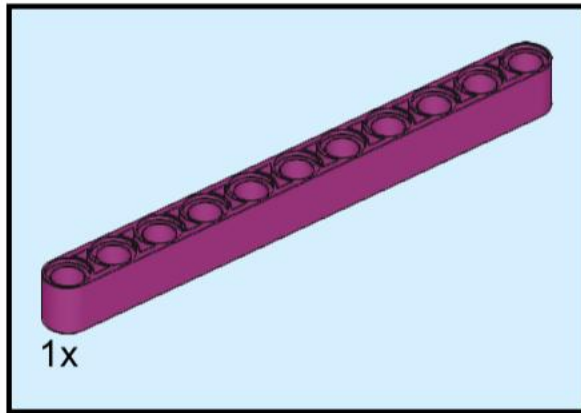
17



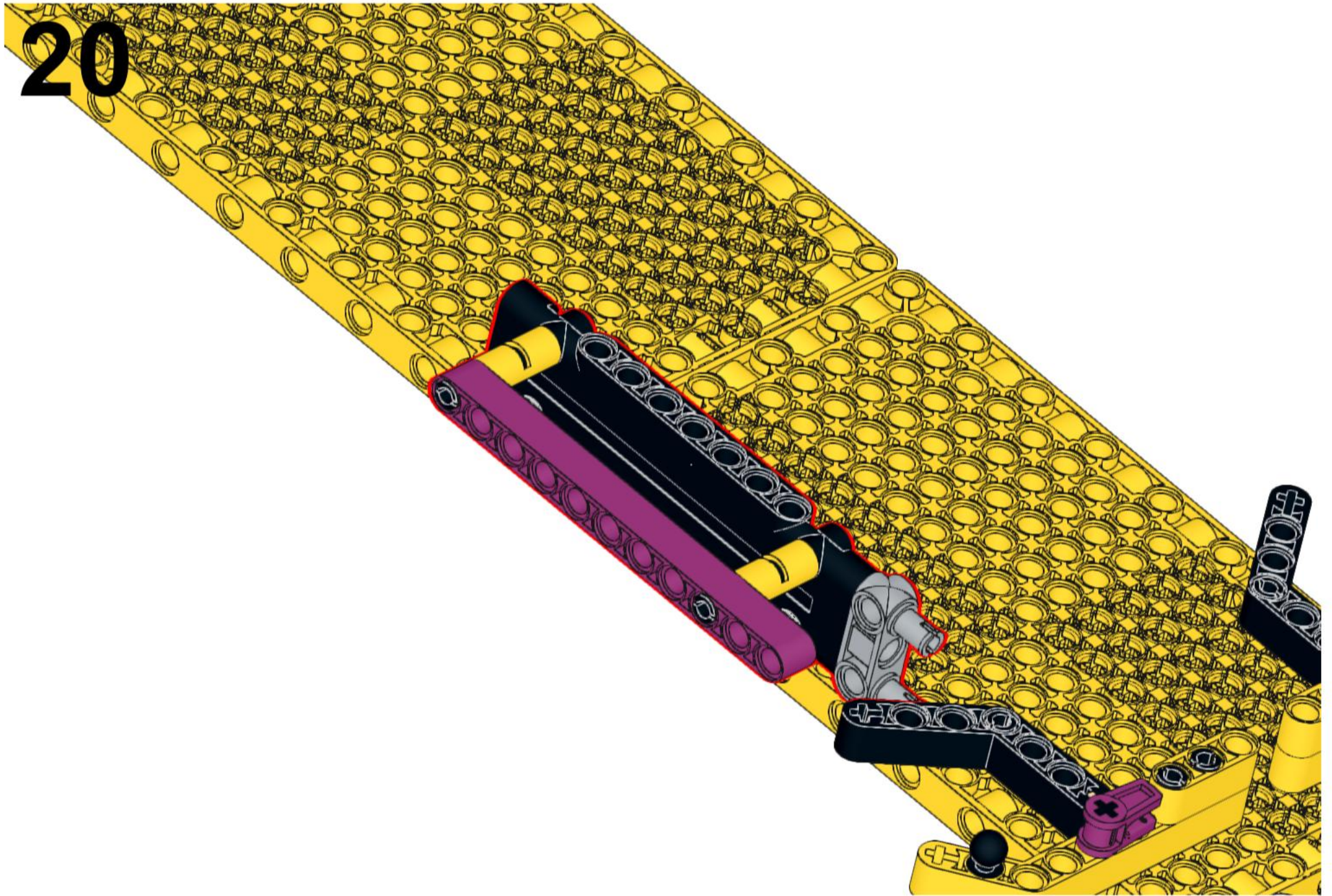
18

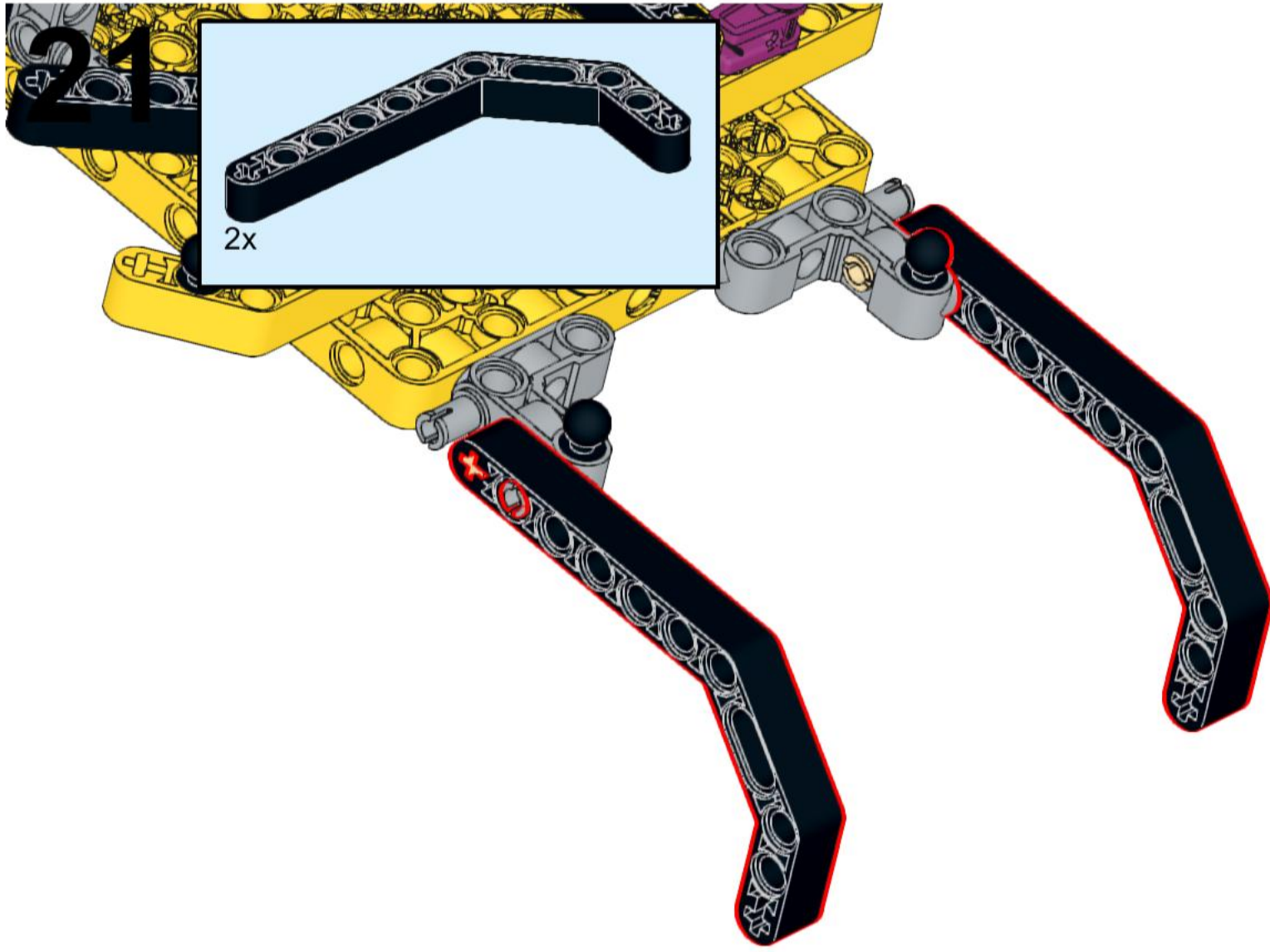


19

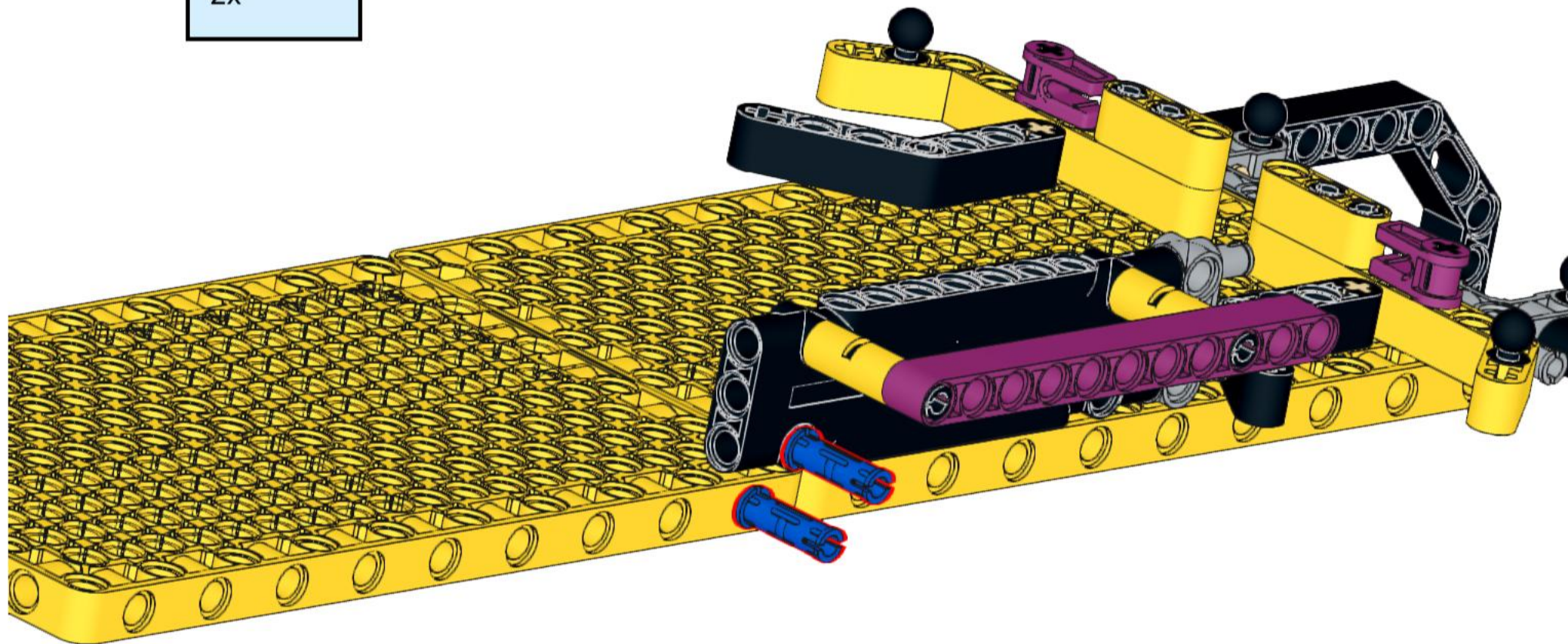
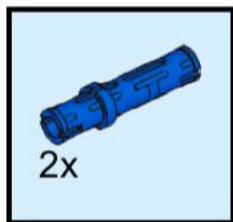


20

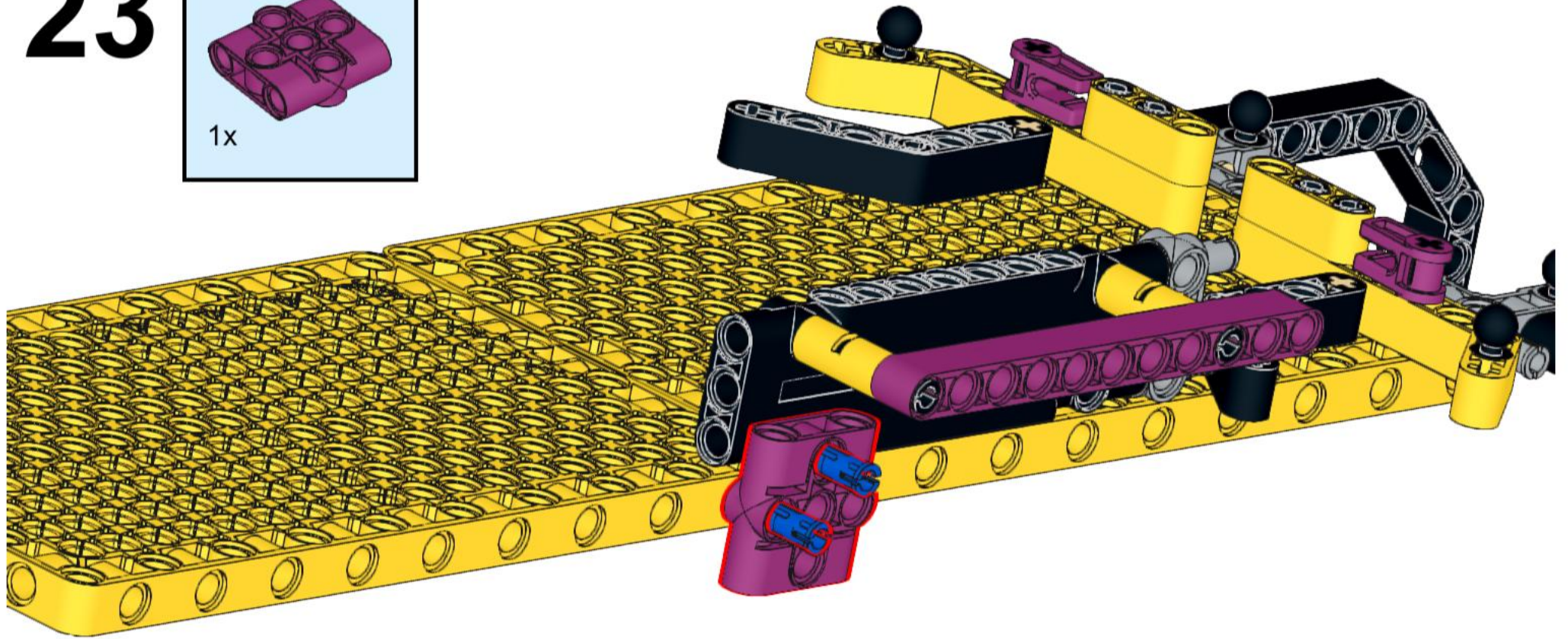
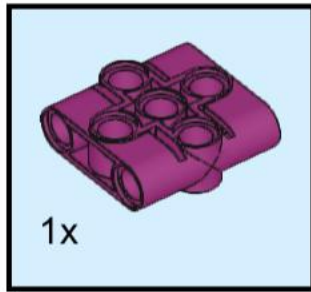




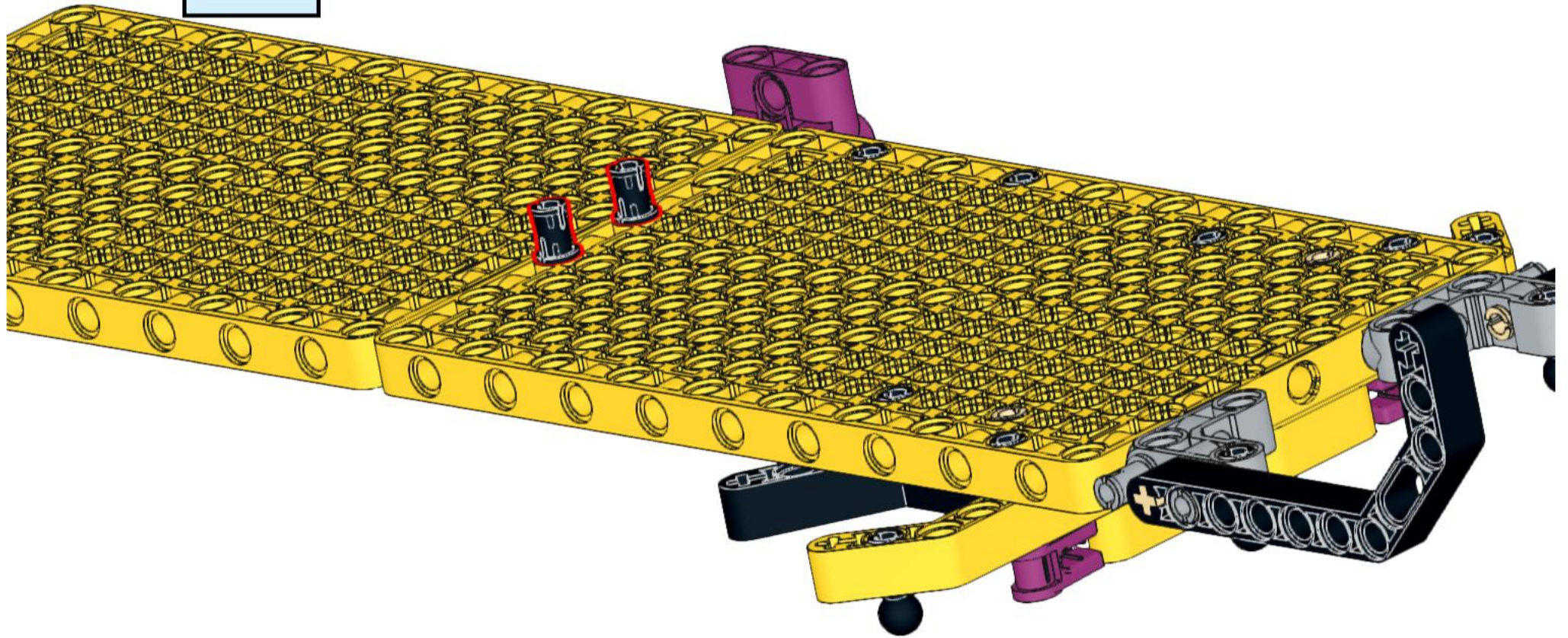
22

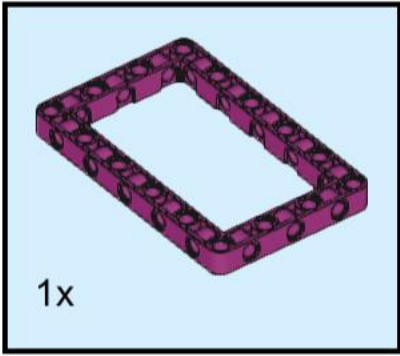


23

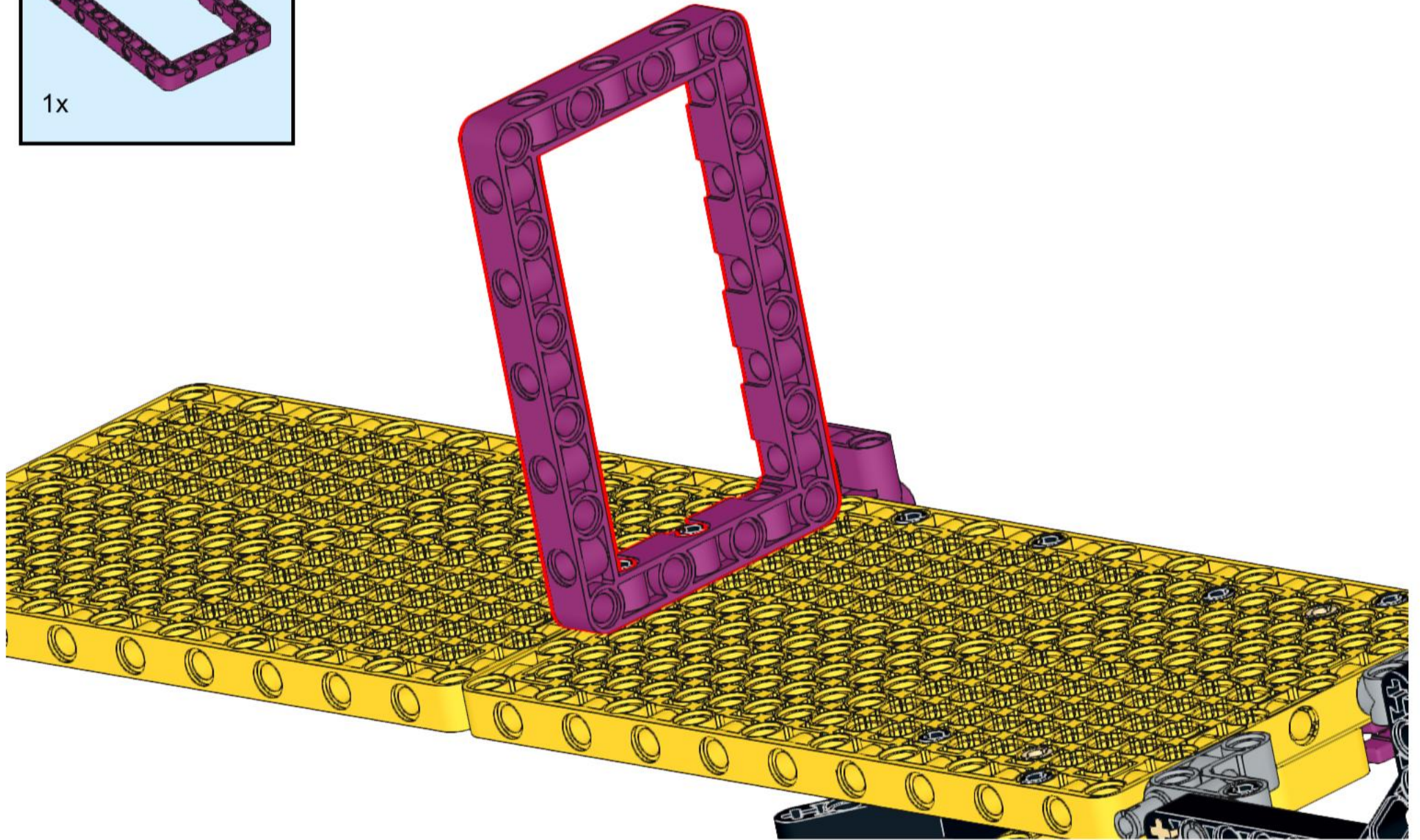


24

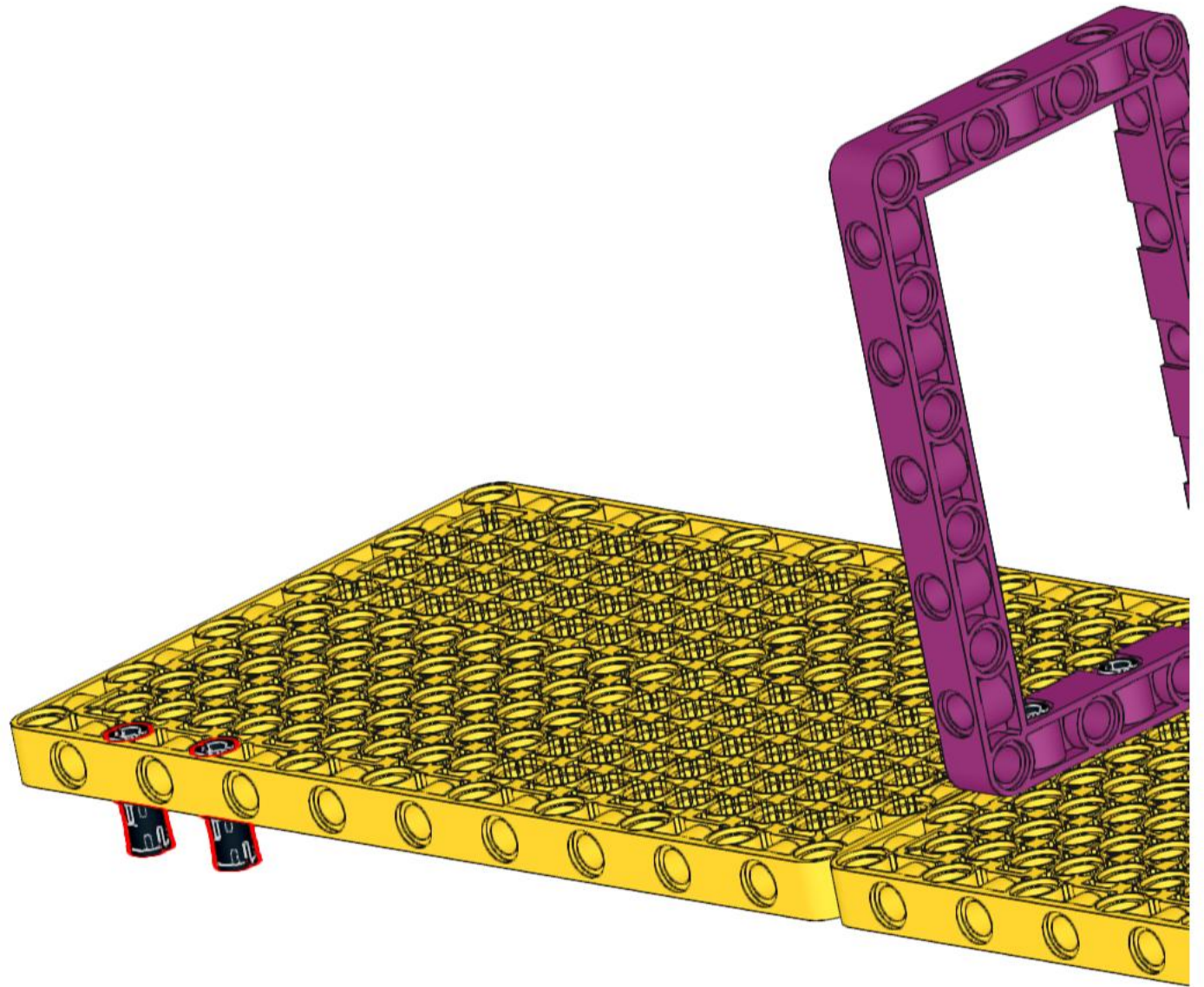




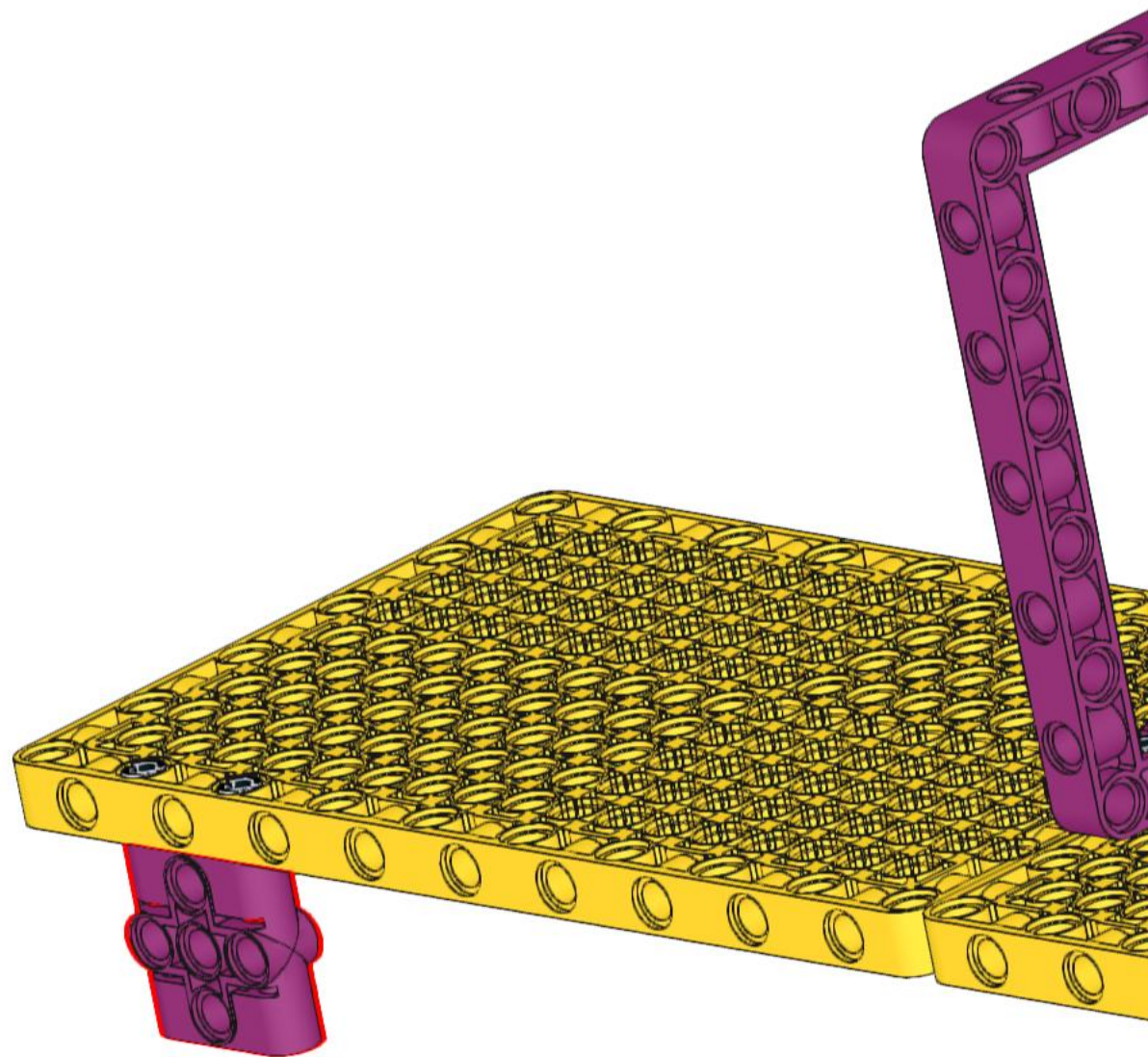
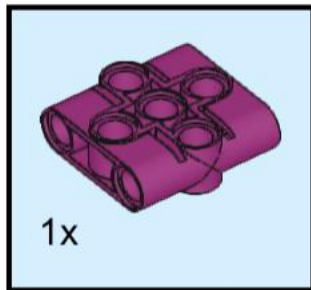
25



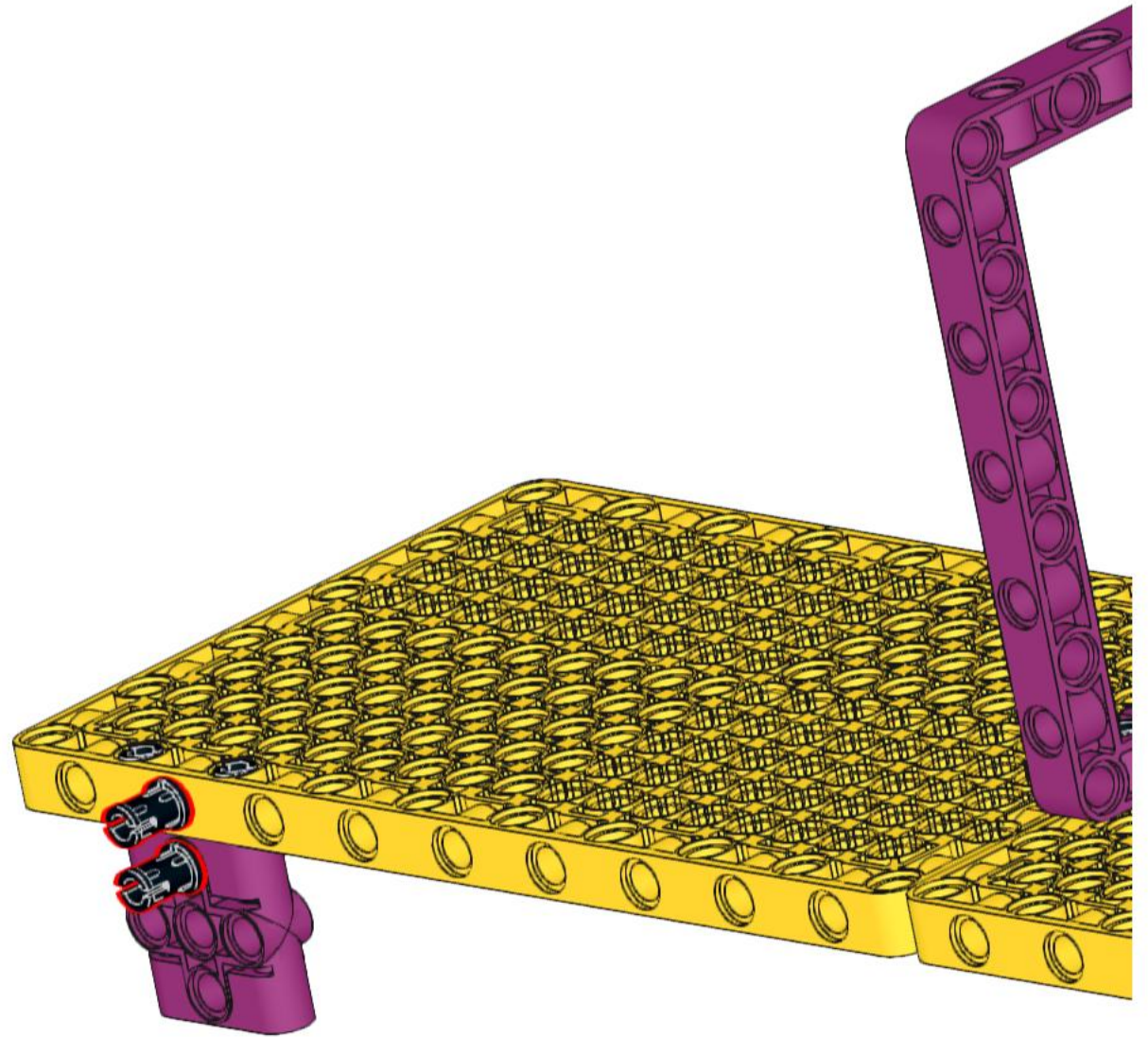
26



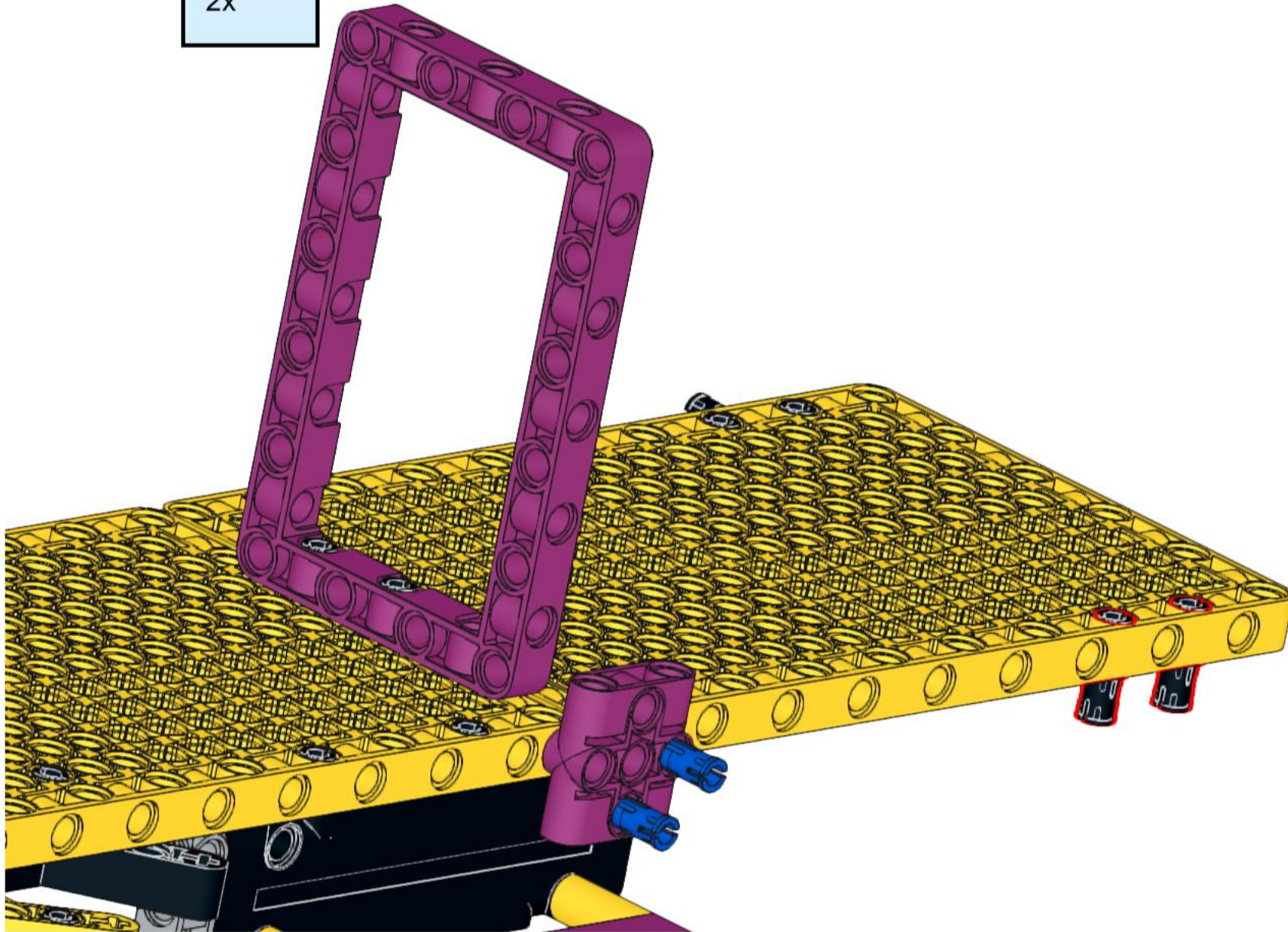
27



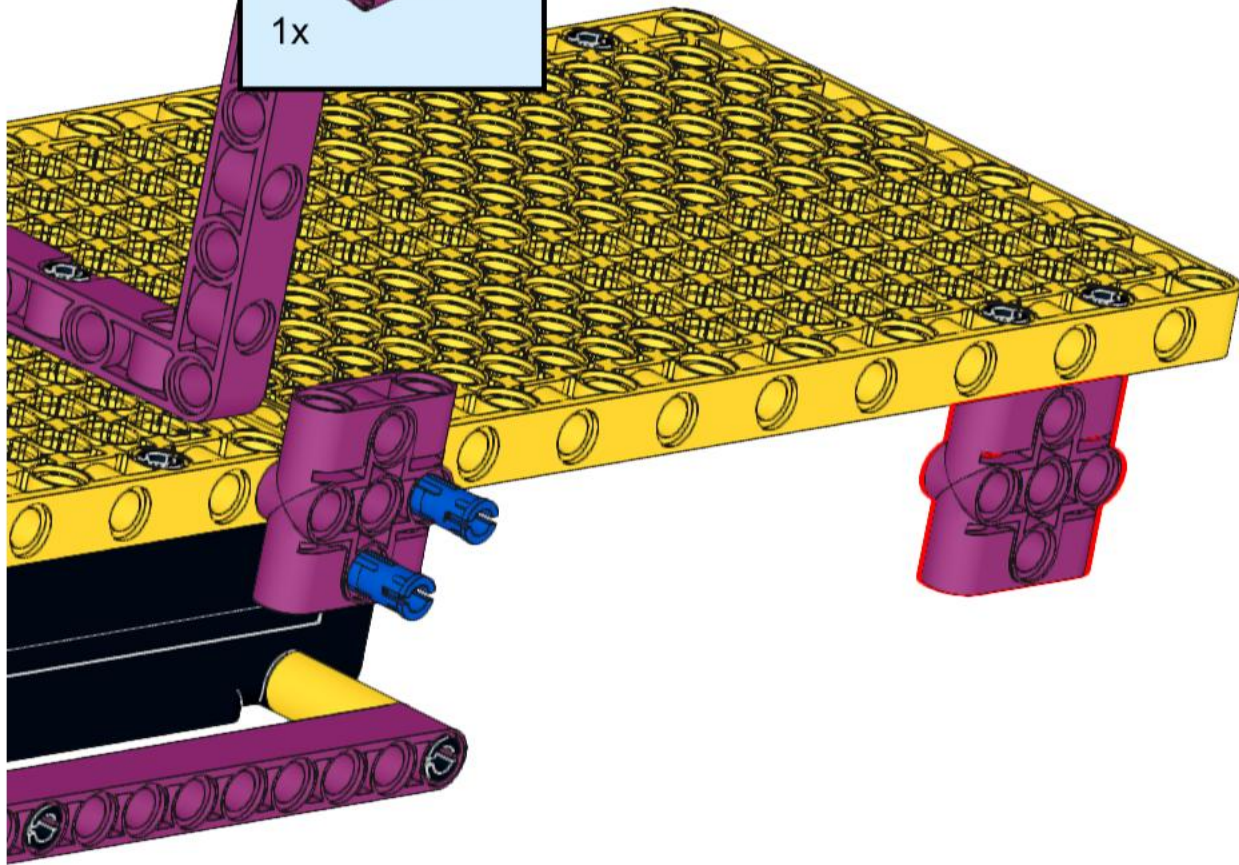
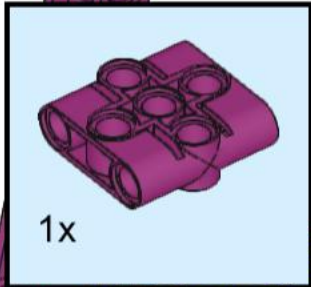
28



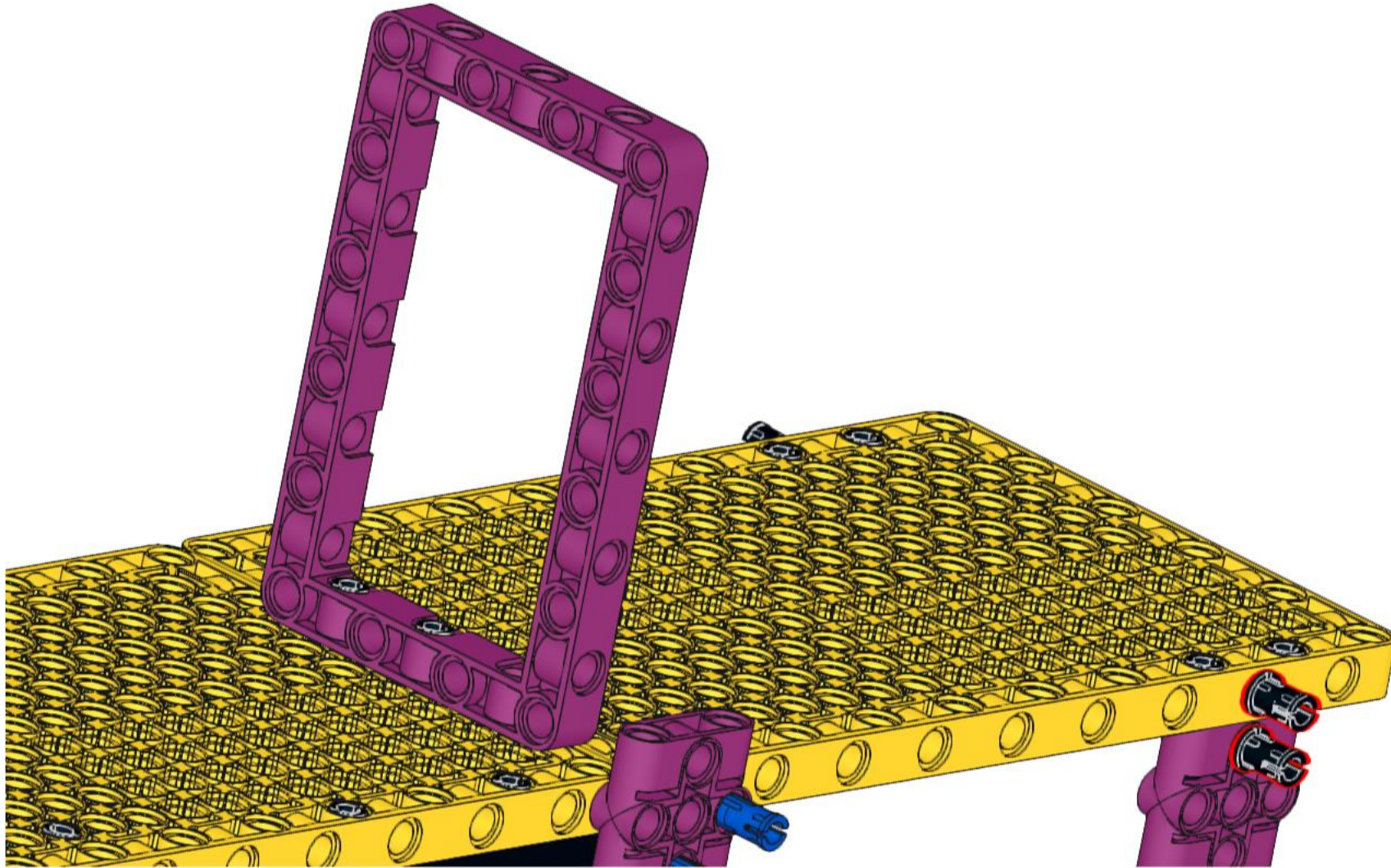
29



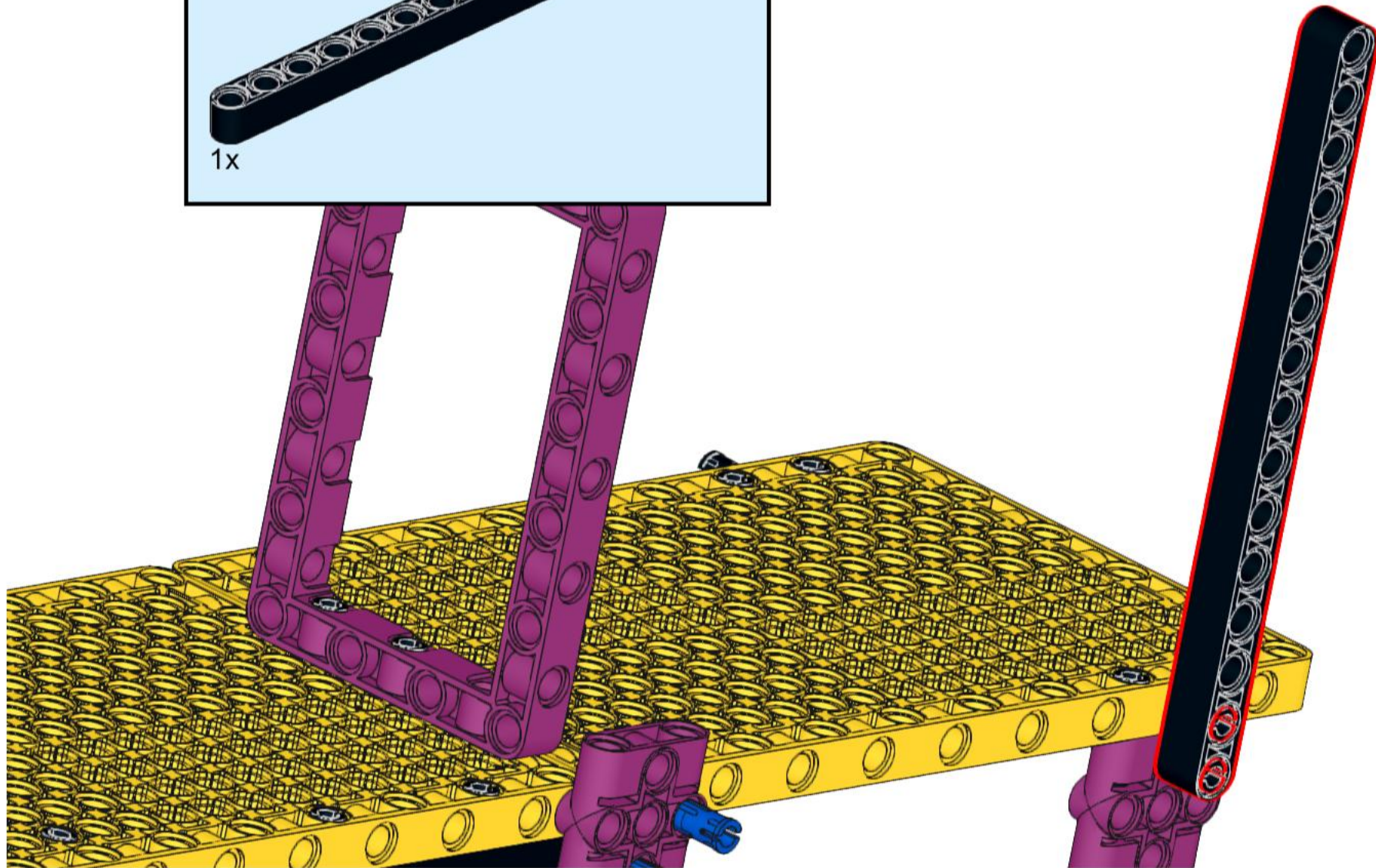
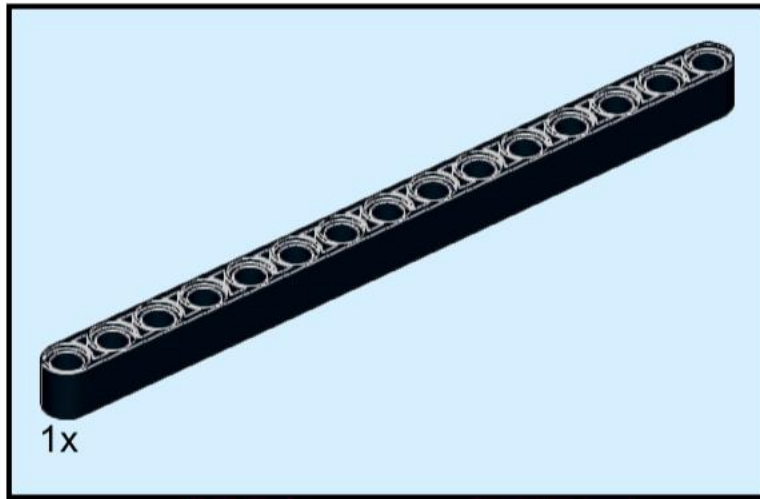
30



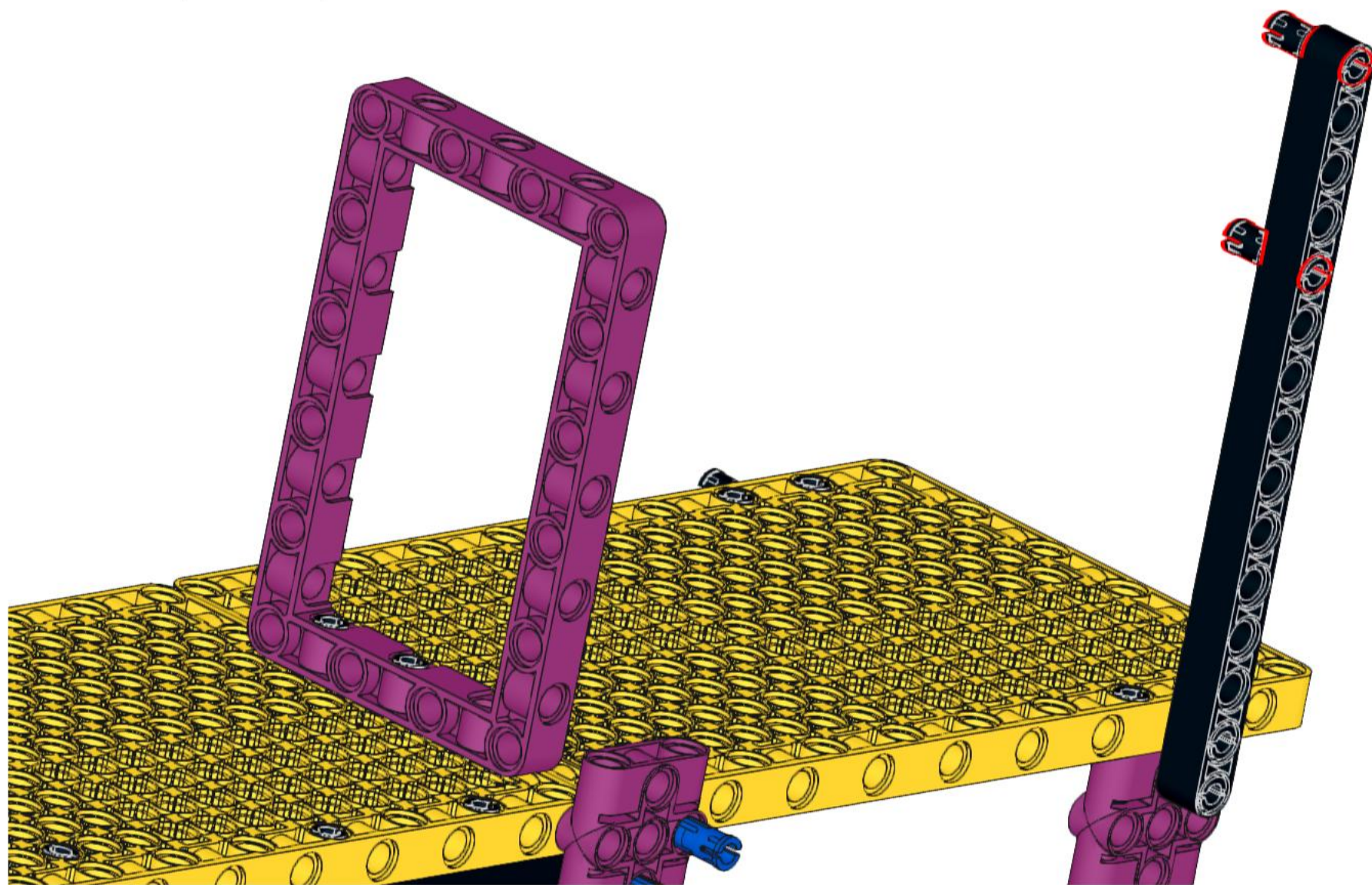
31



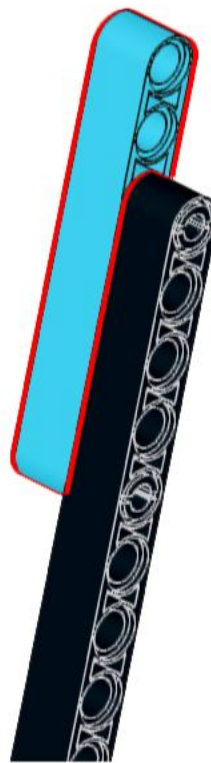
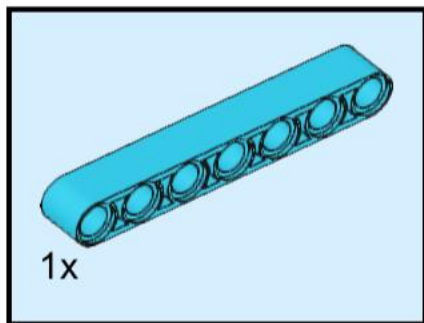
32



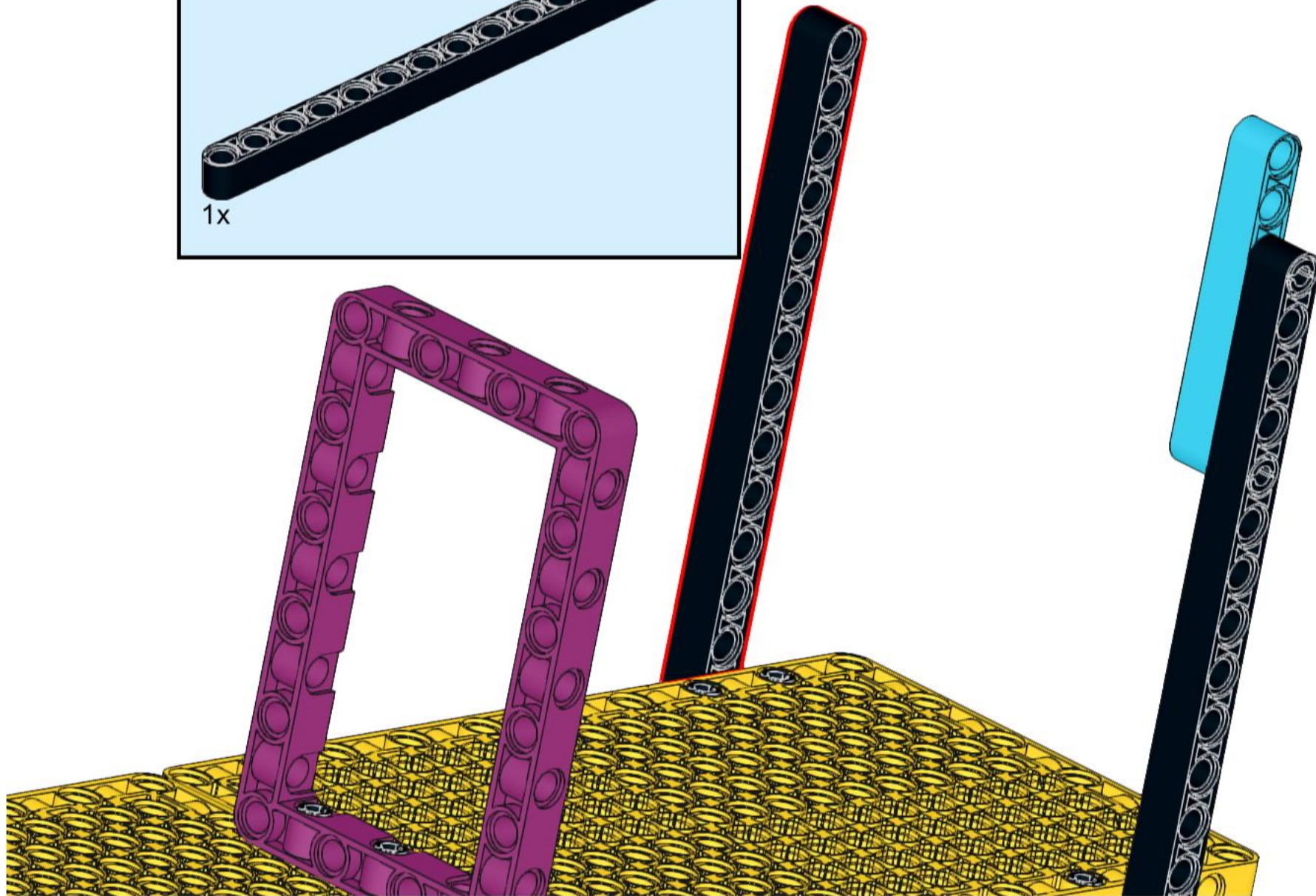
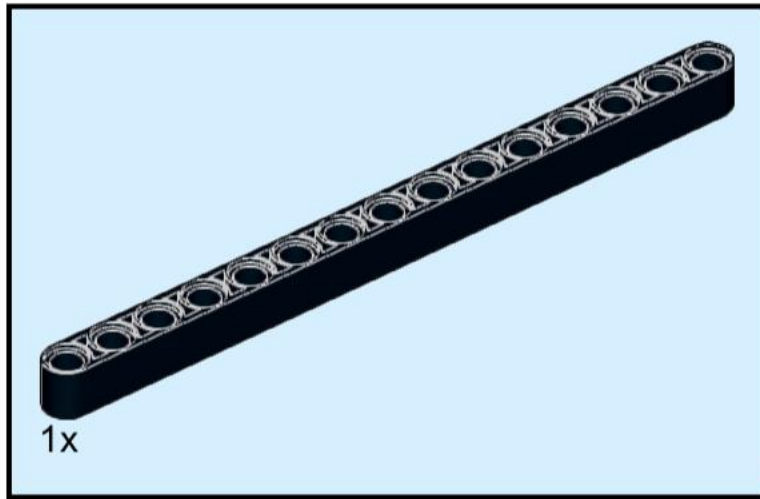
33



34



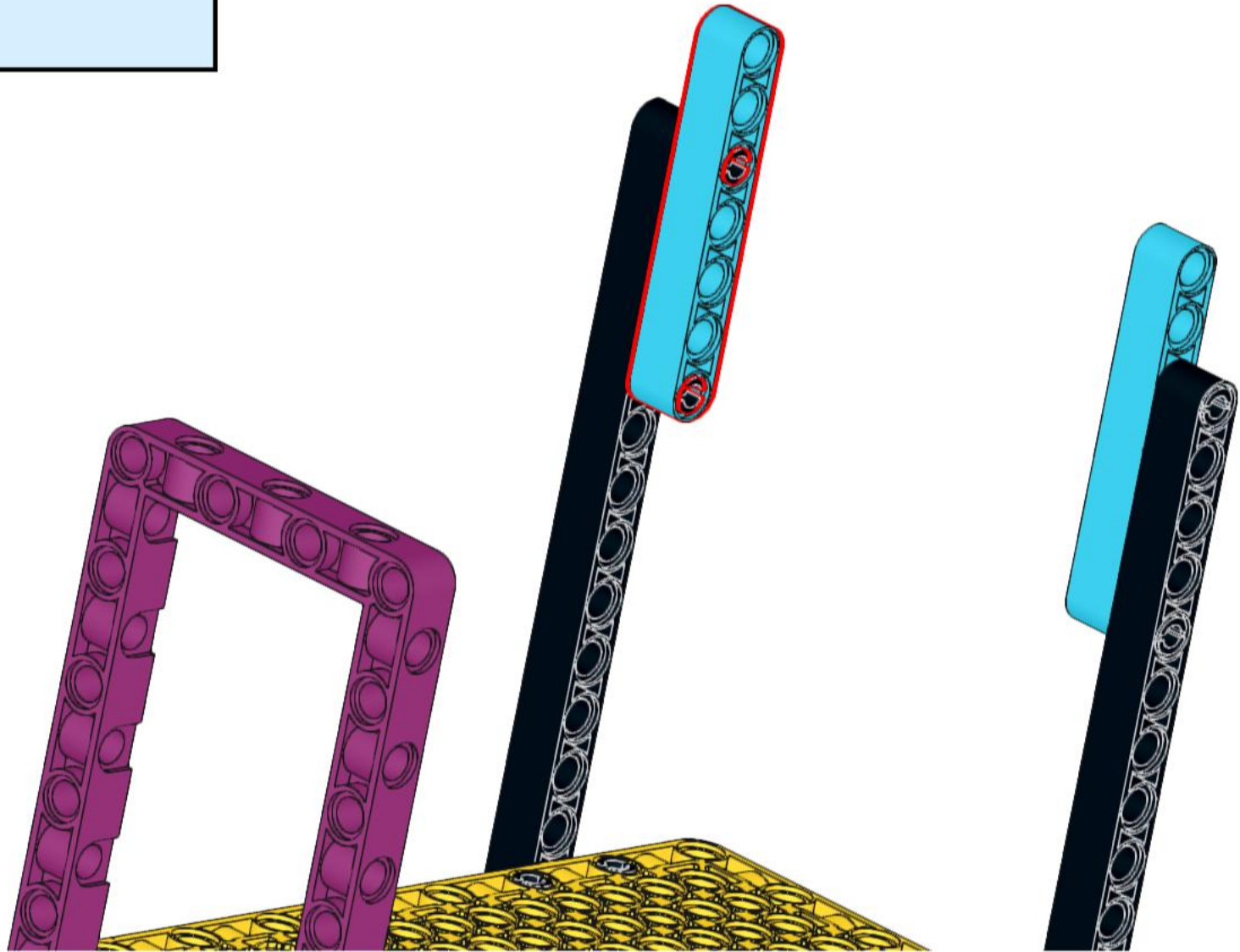
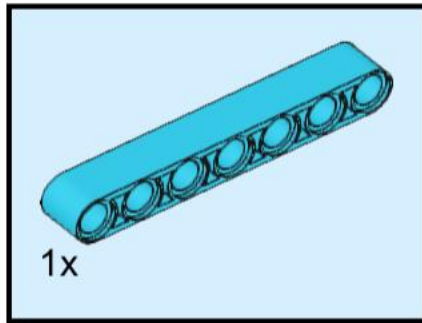
35



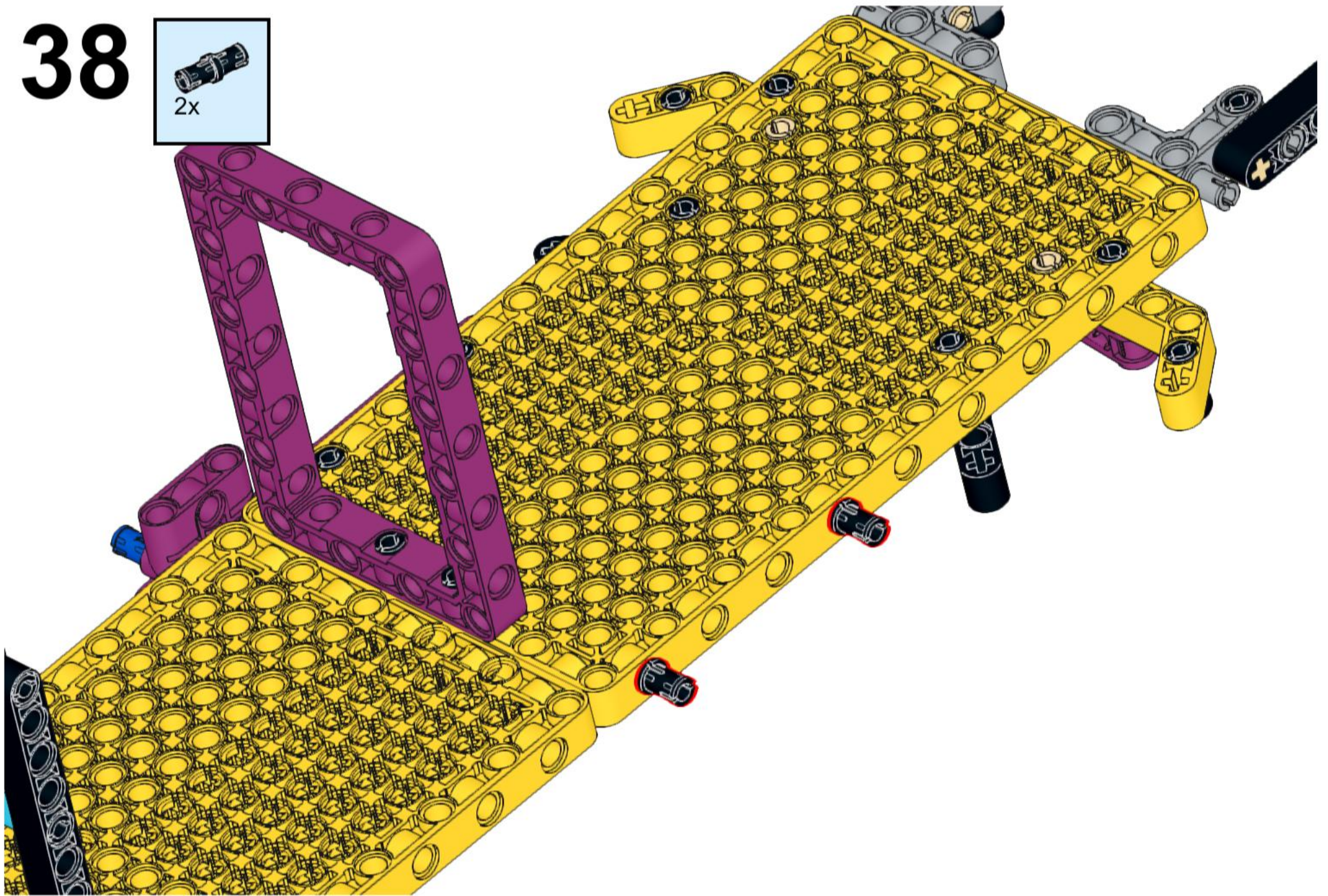
36



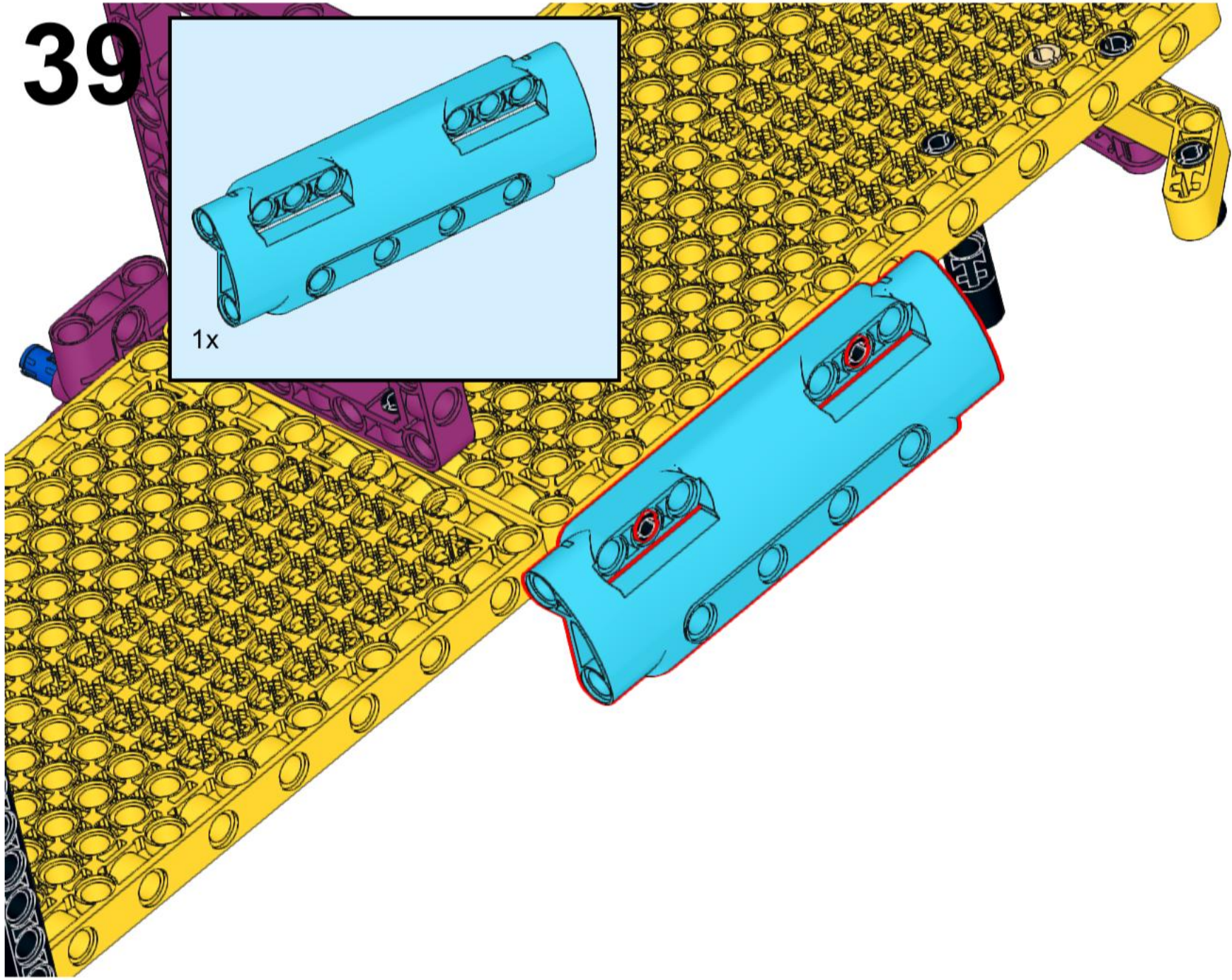
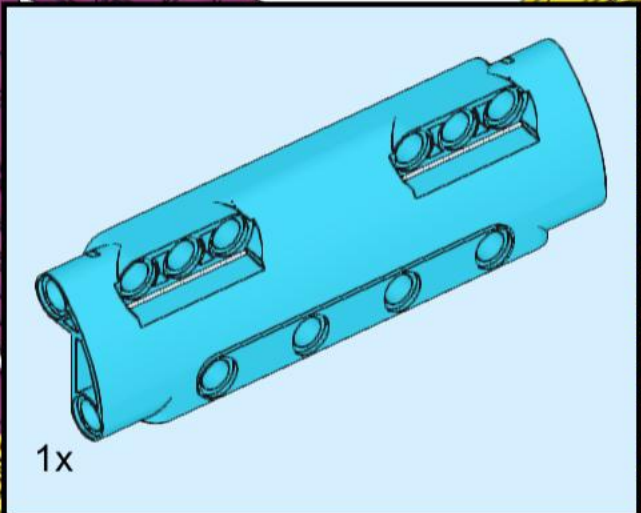
37



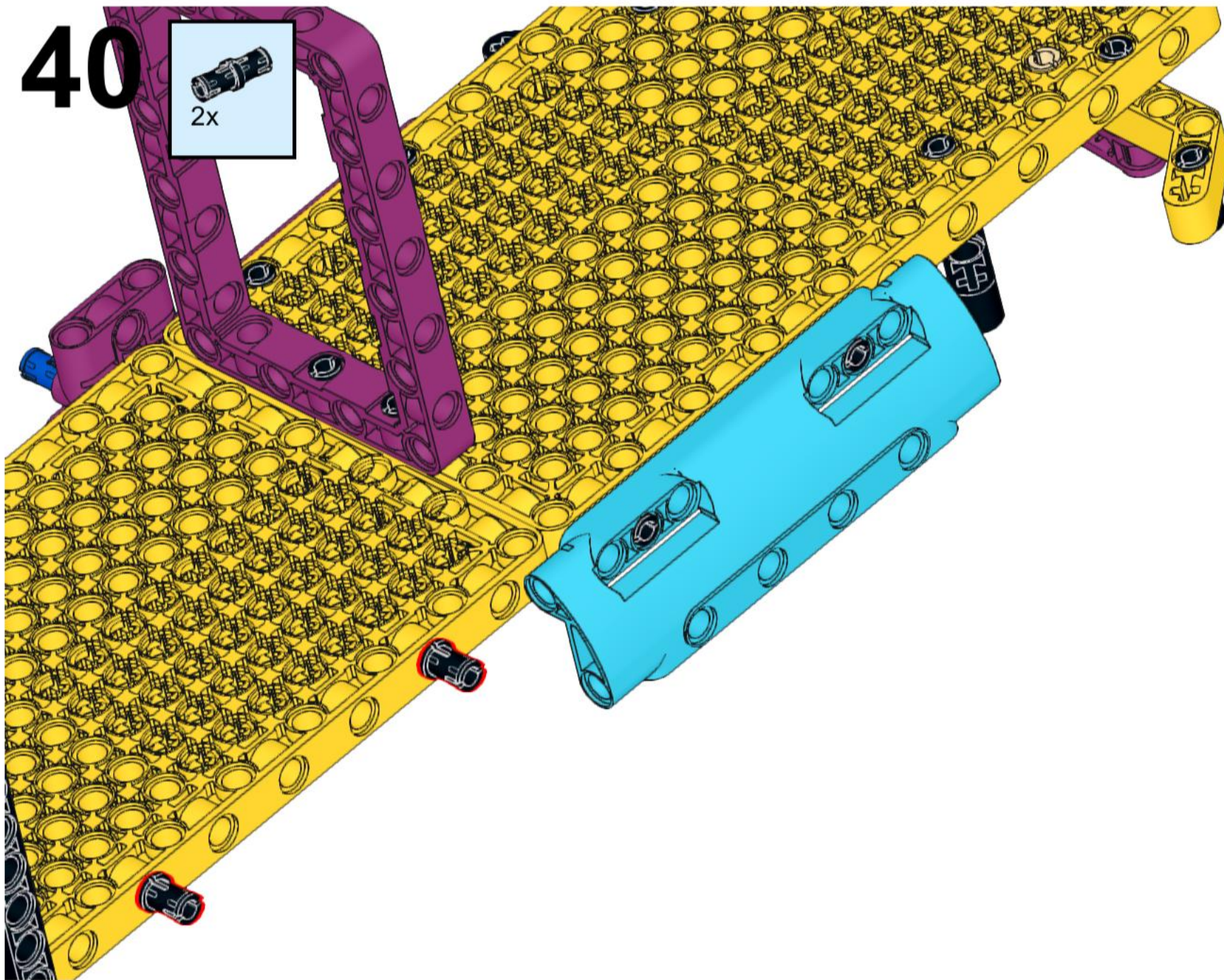
38



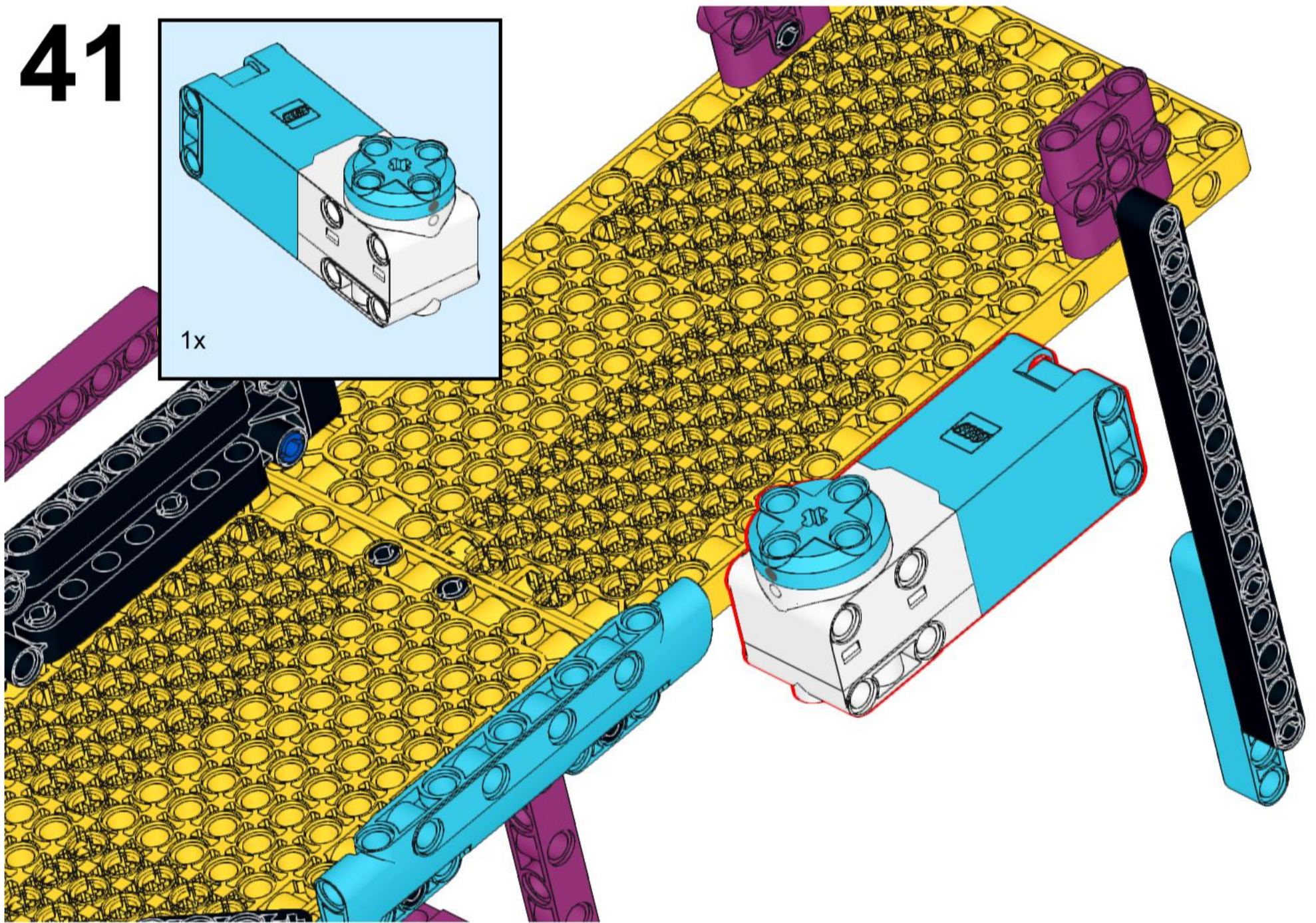
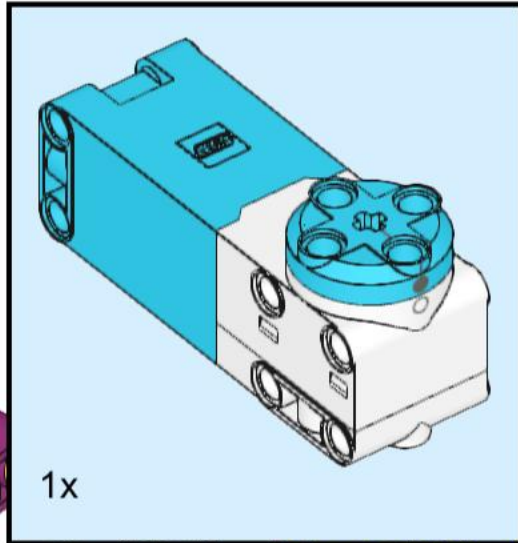
39



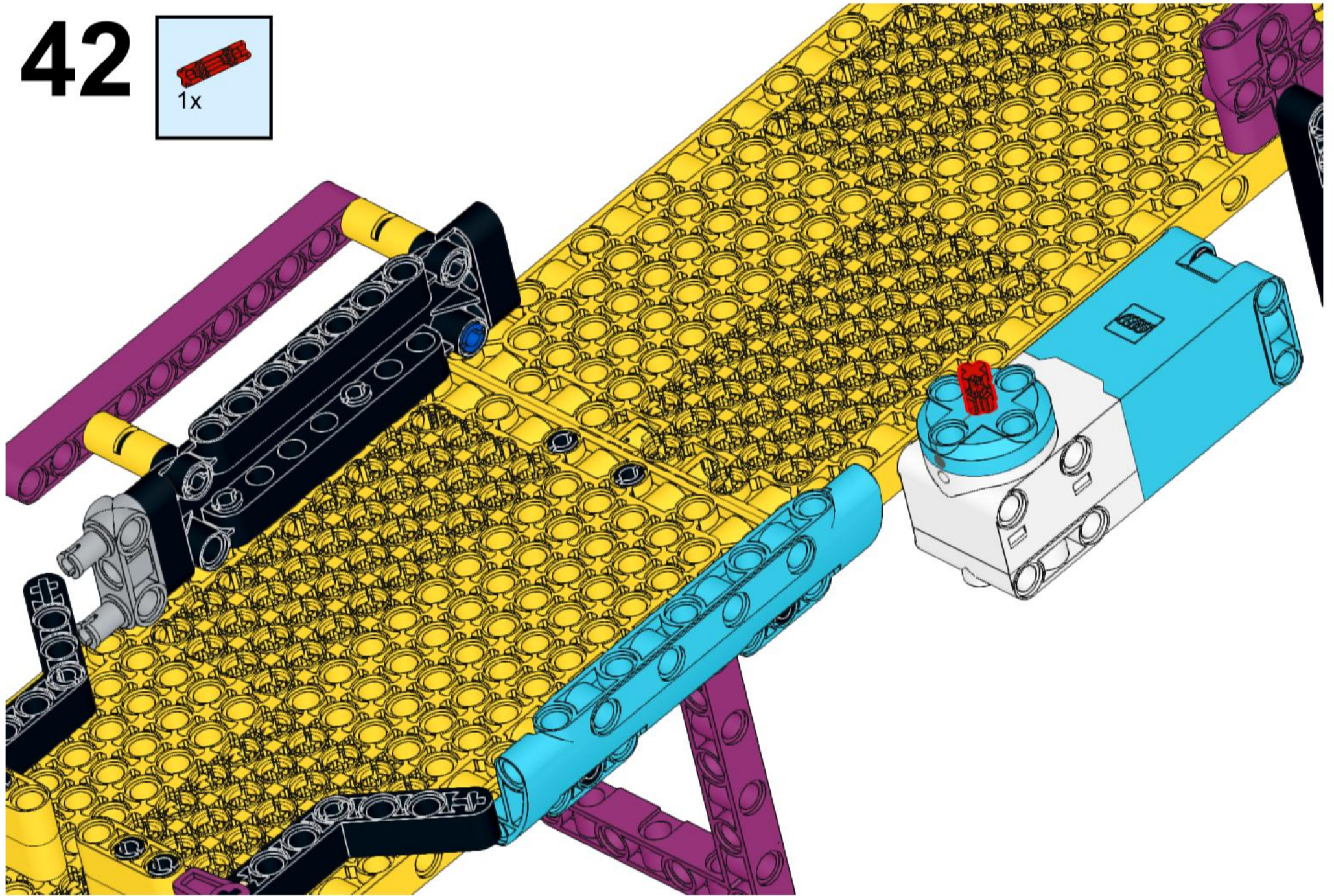
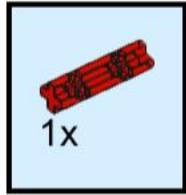
40



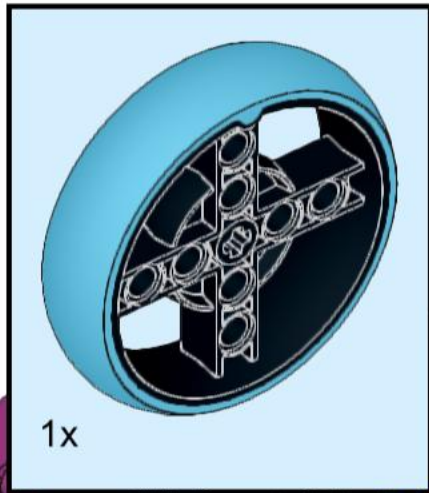
41



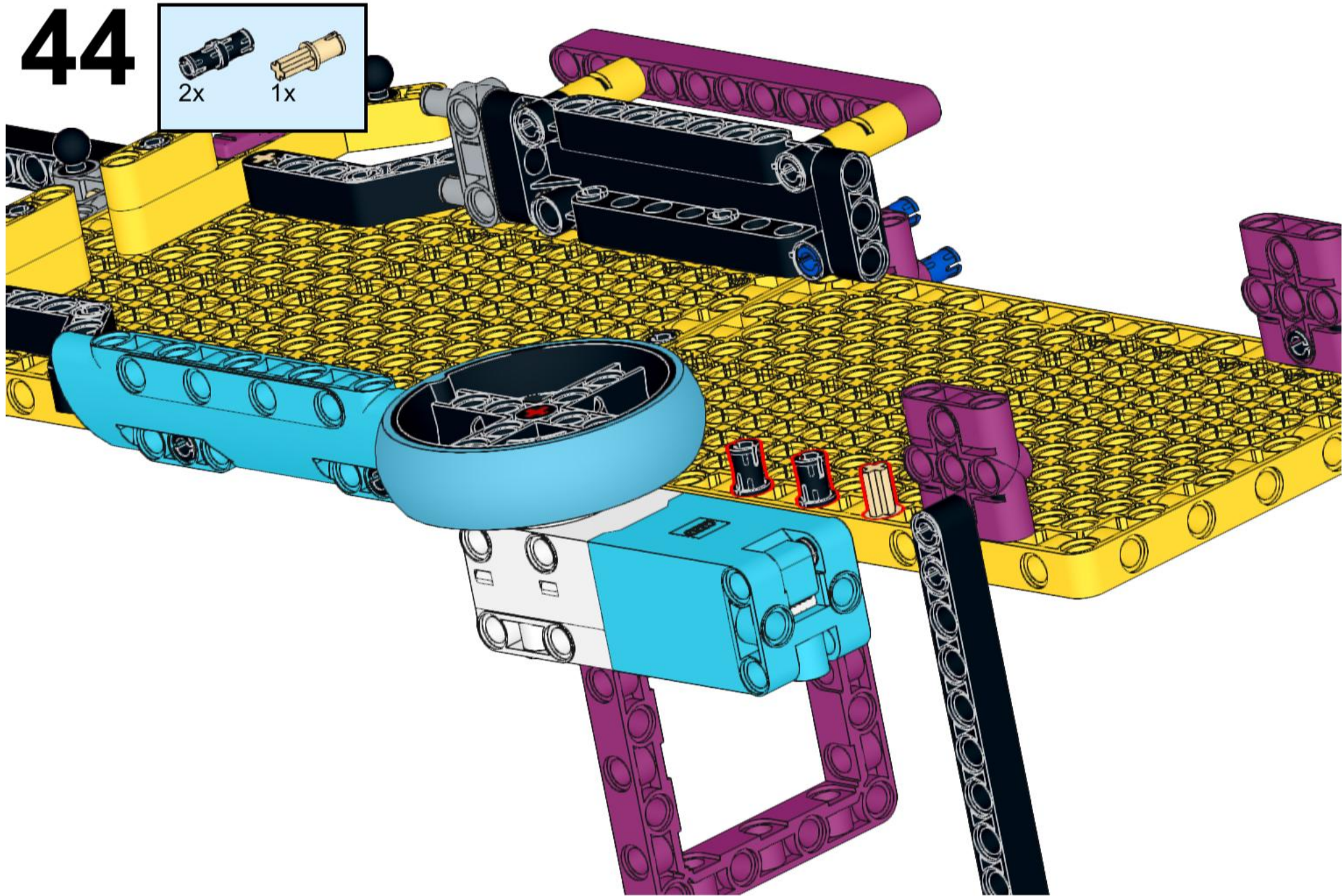
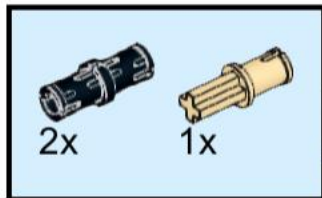
42



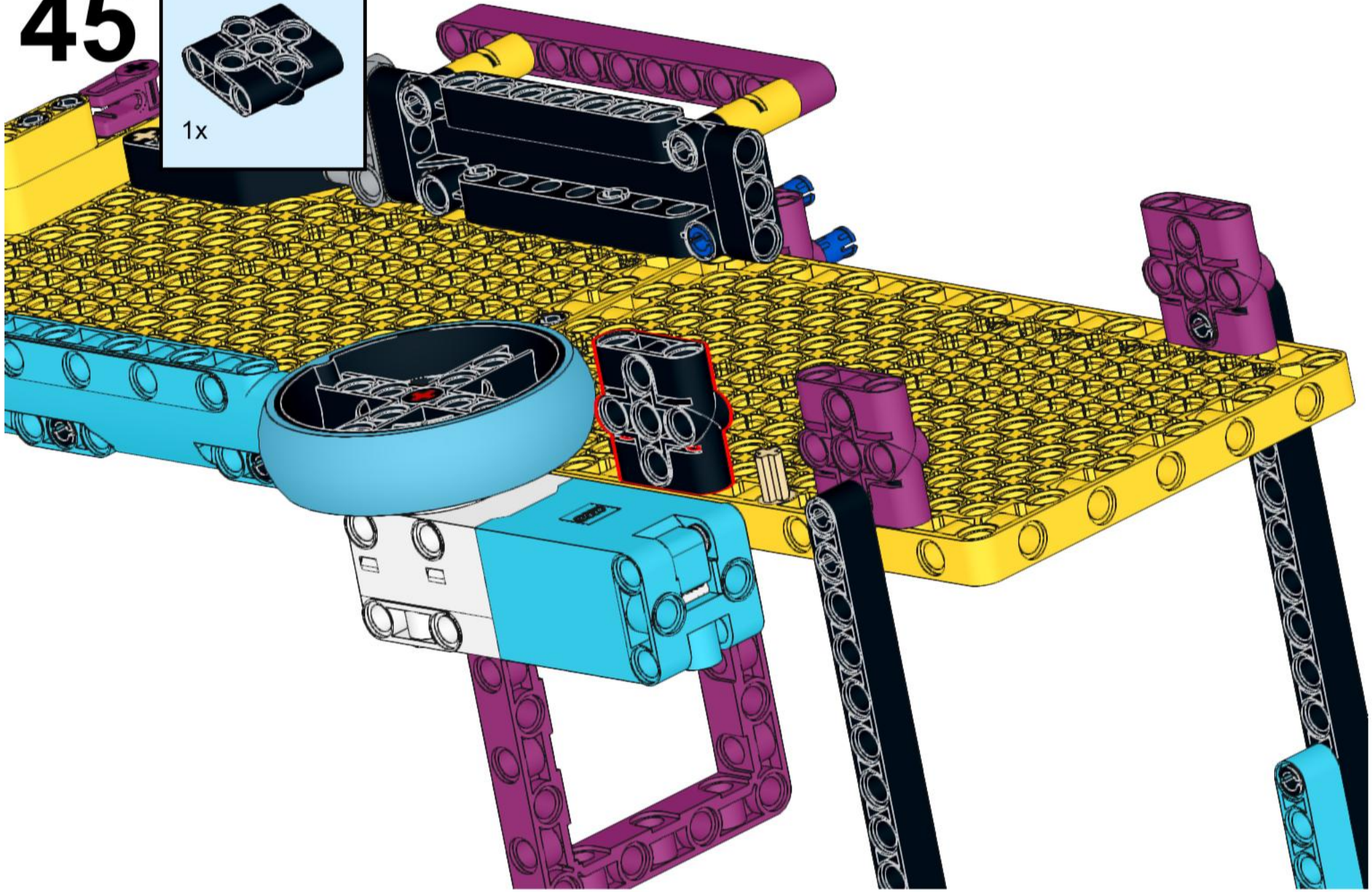
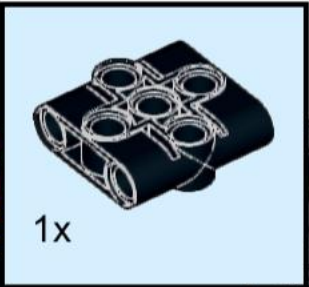
43



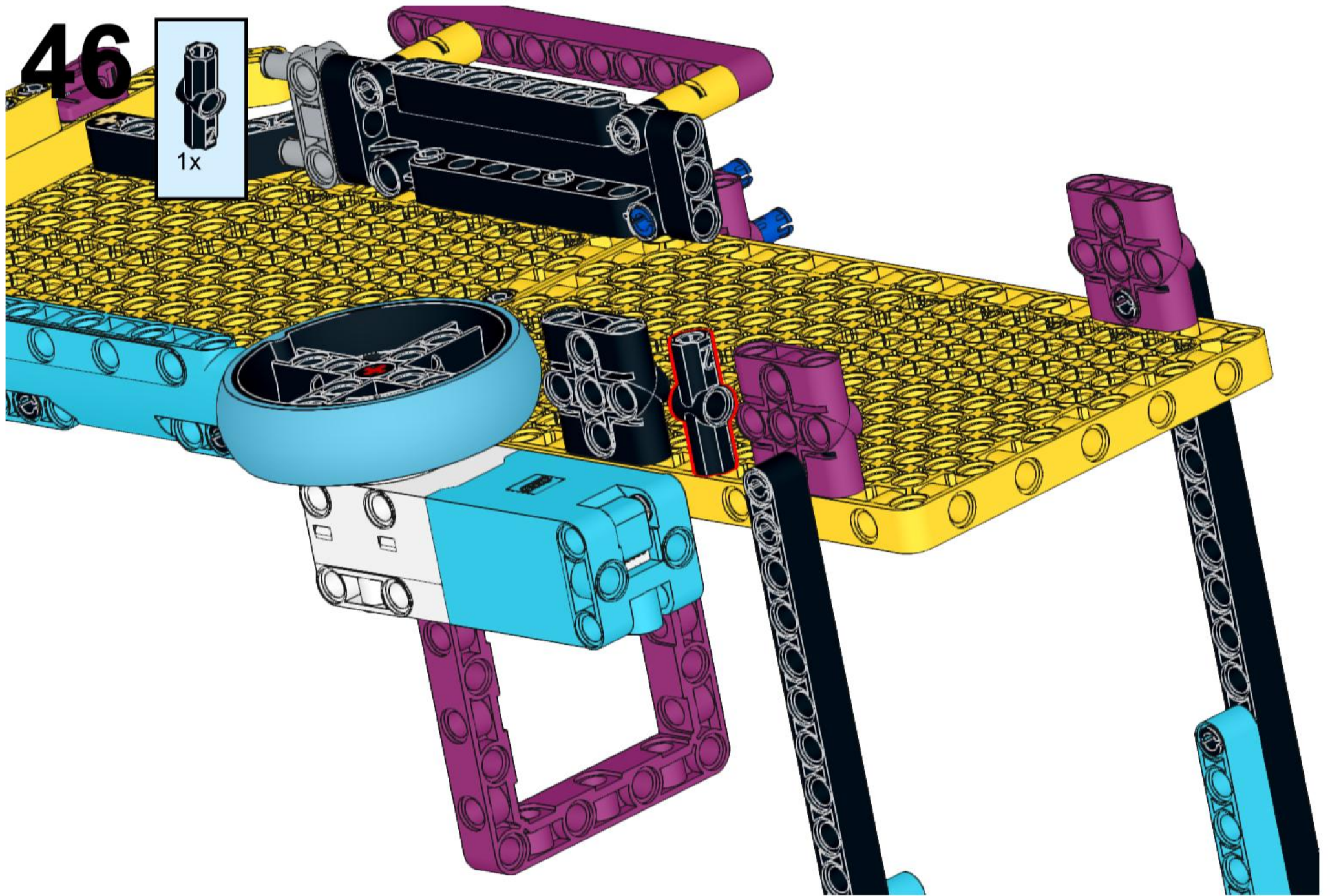
44



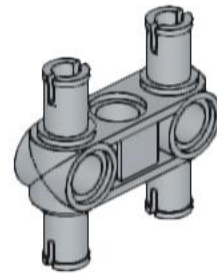
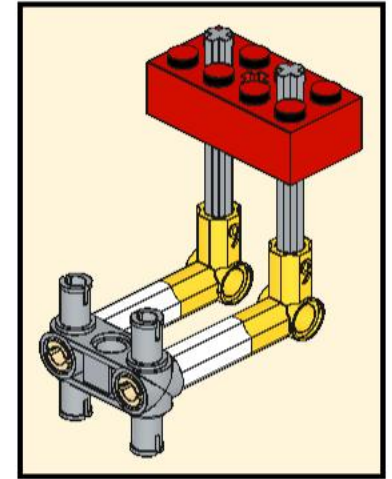
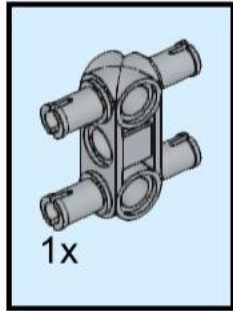
45



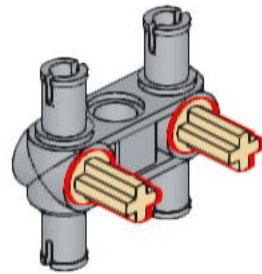
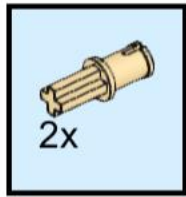
46



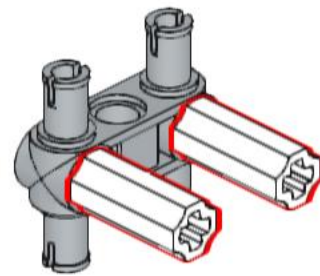
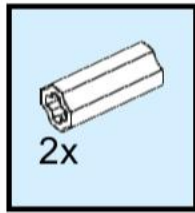
47



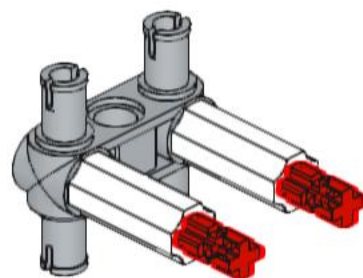
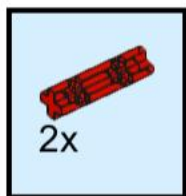
48



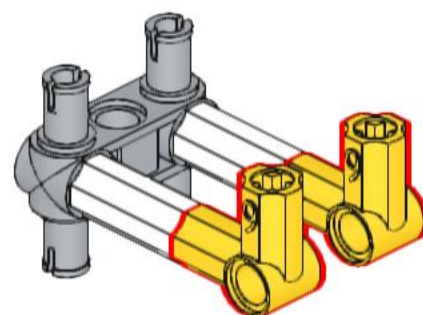
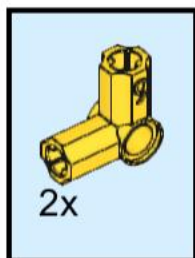
49



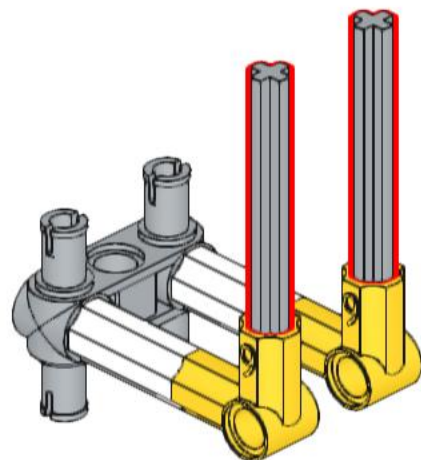
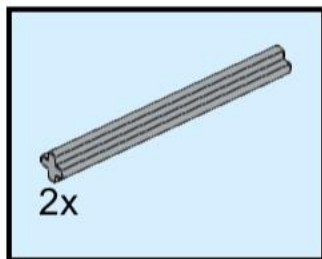
50



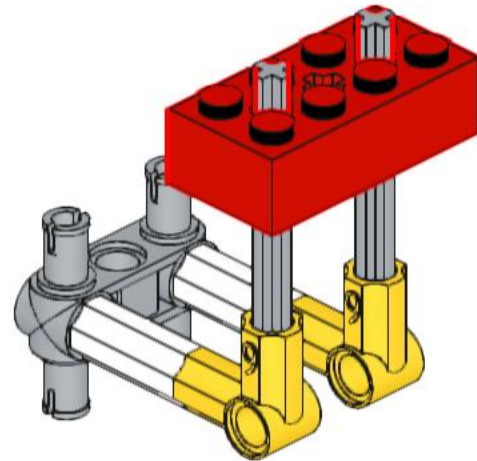
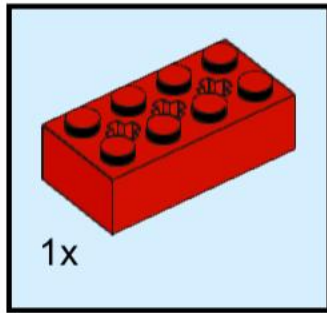
51

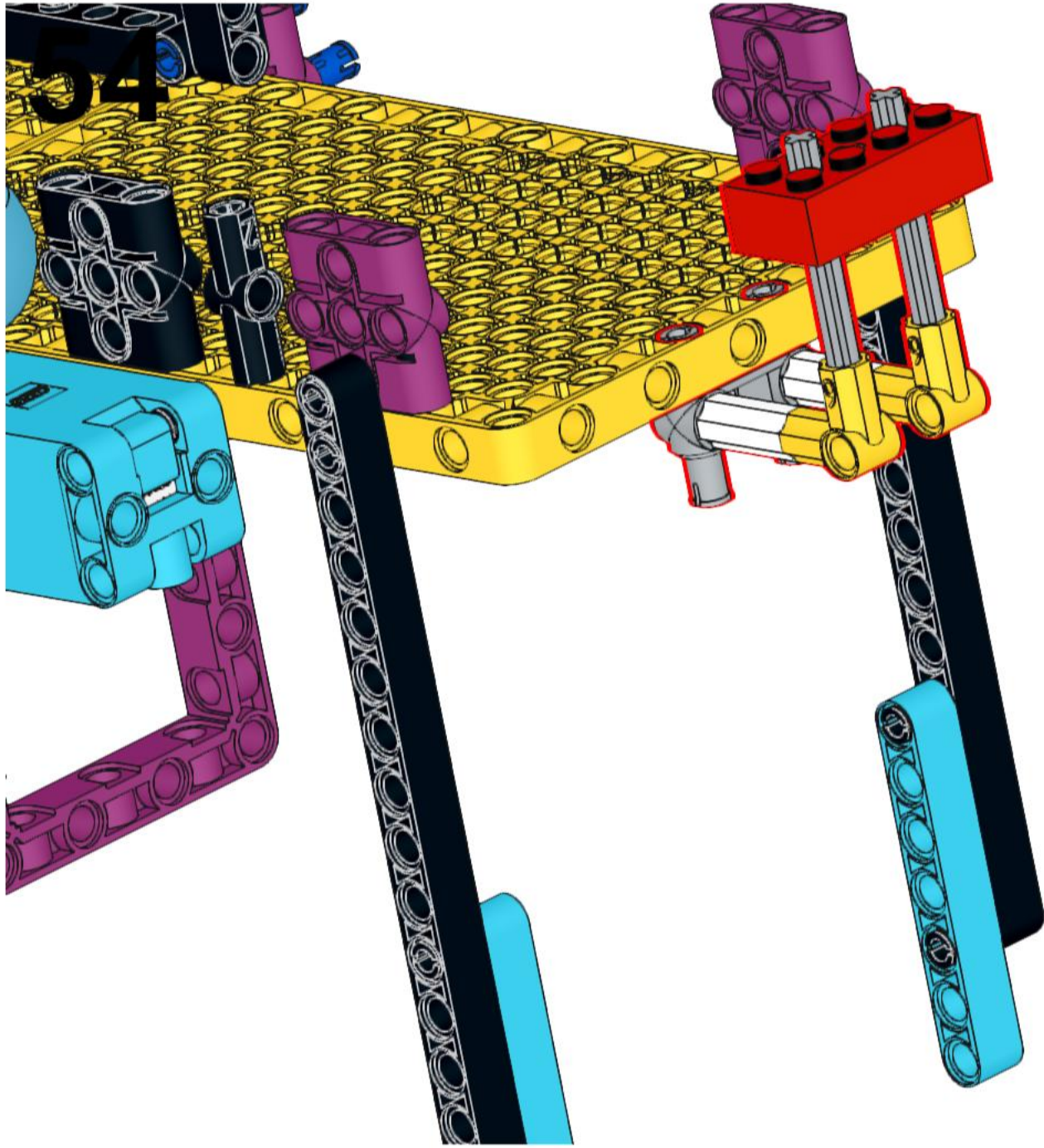


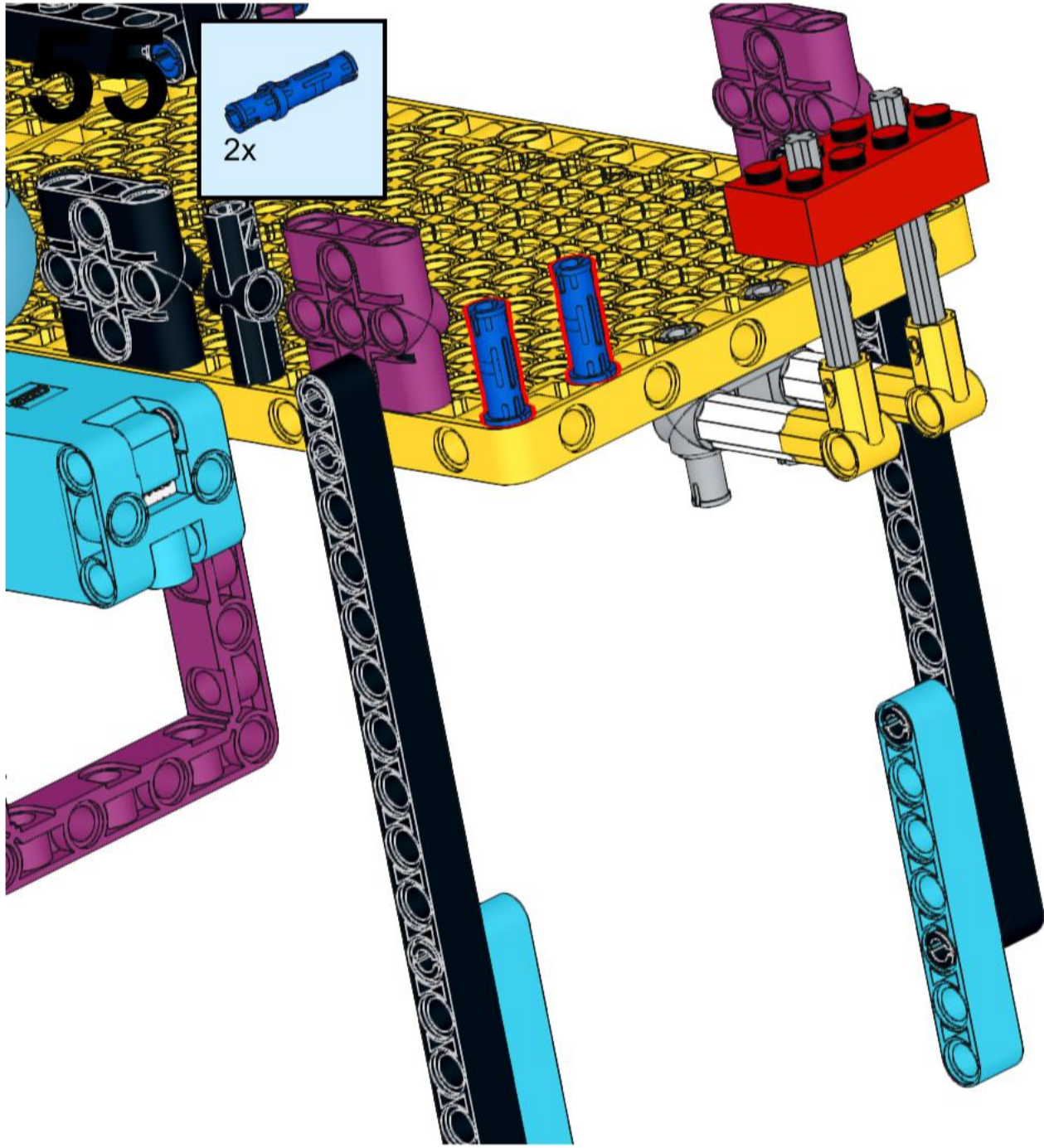
52

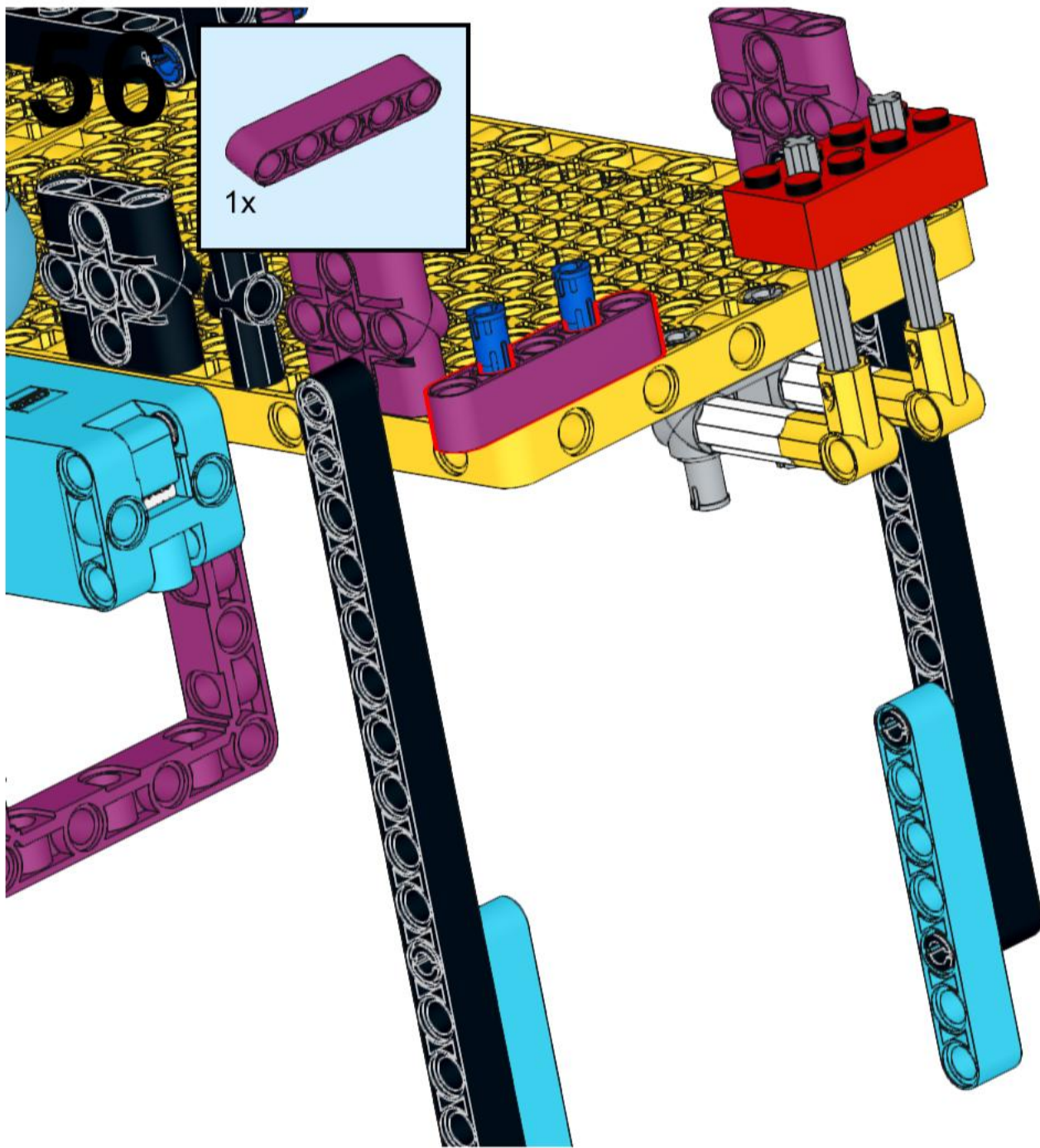


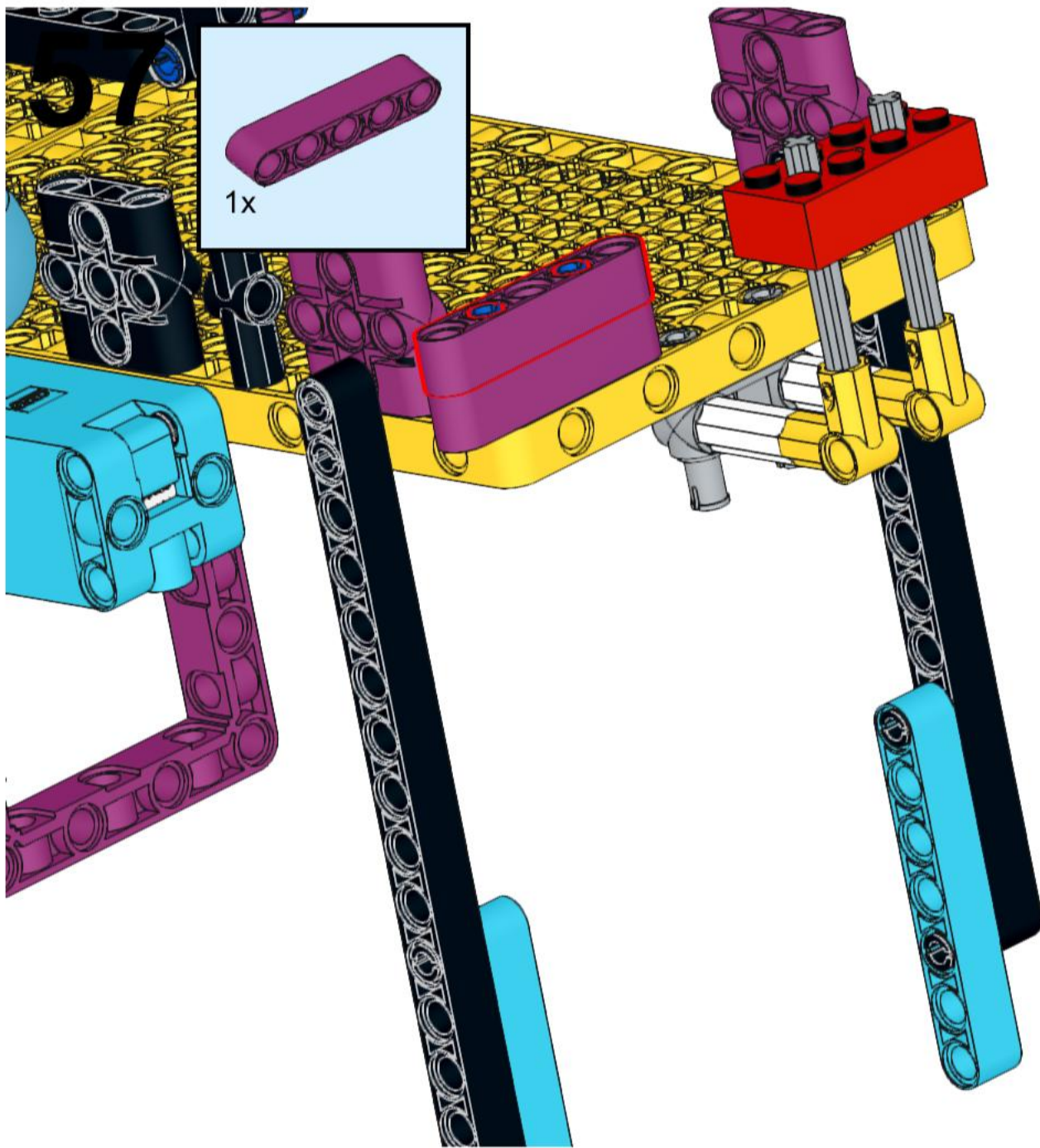
53



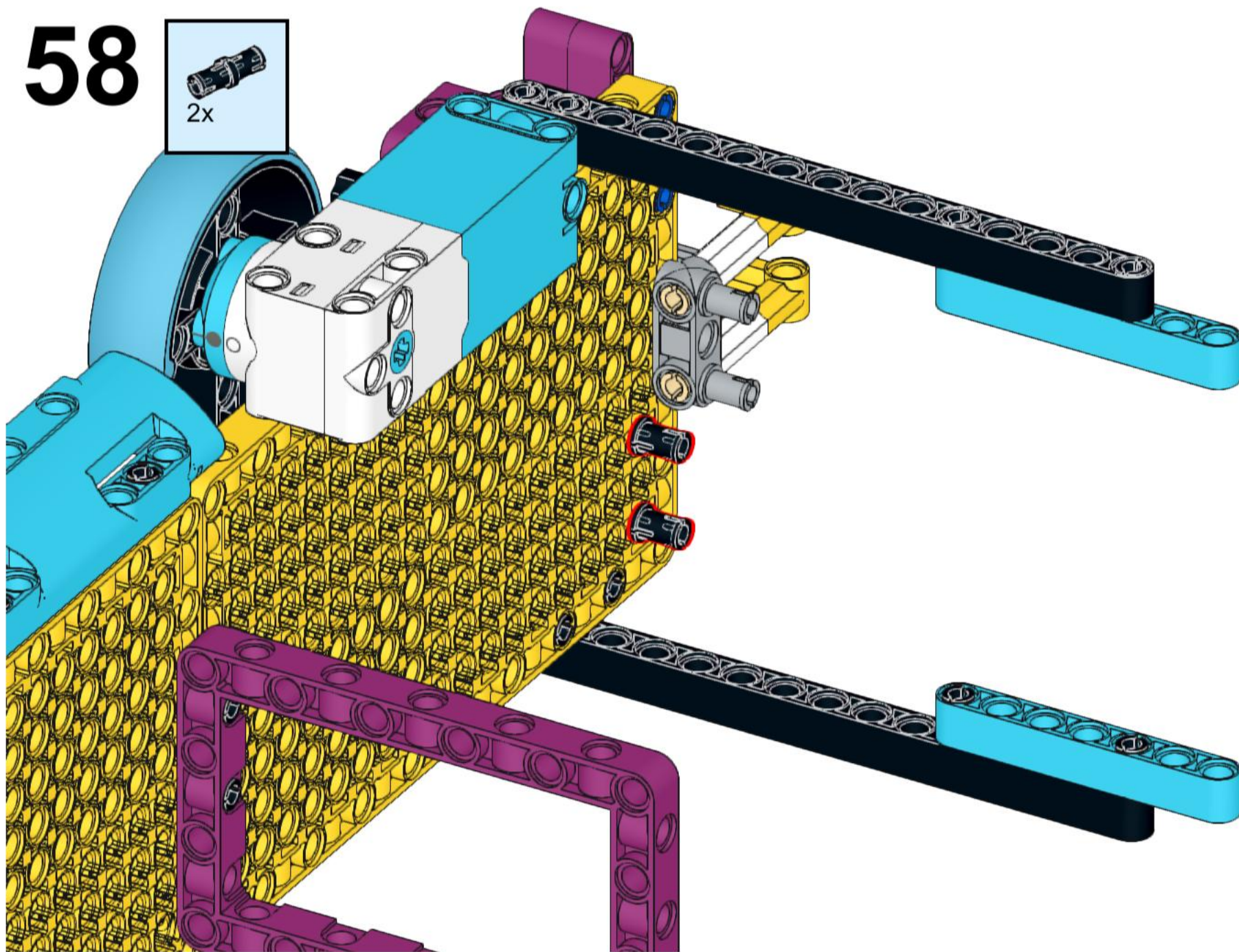




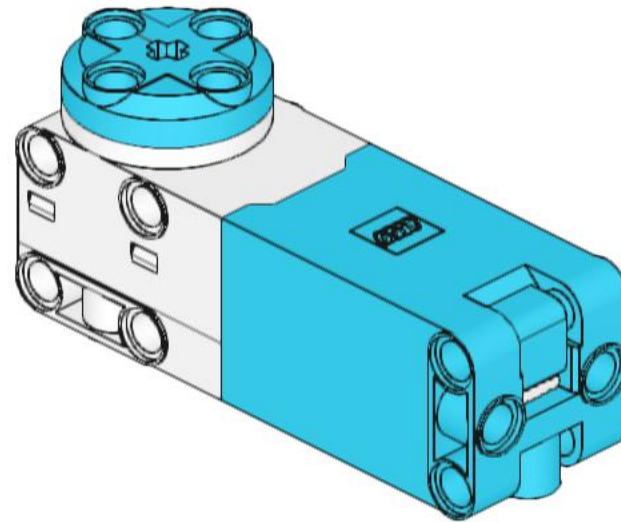
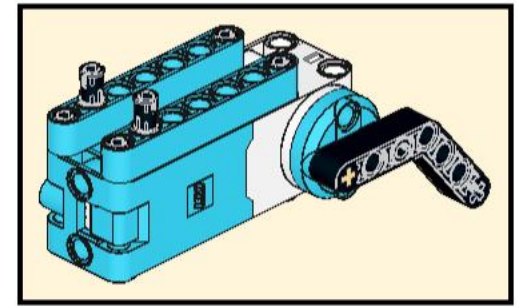
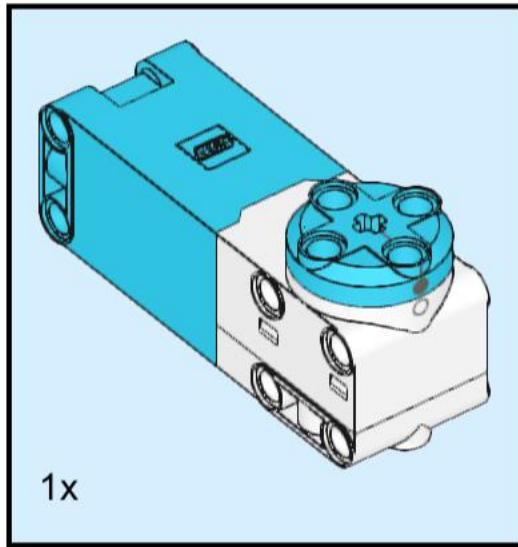




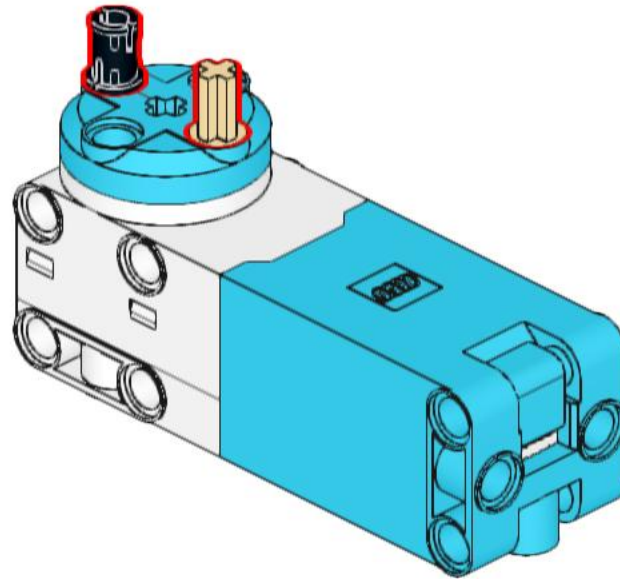
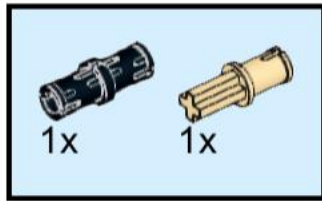
58



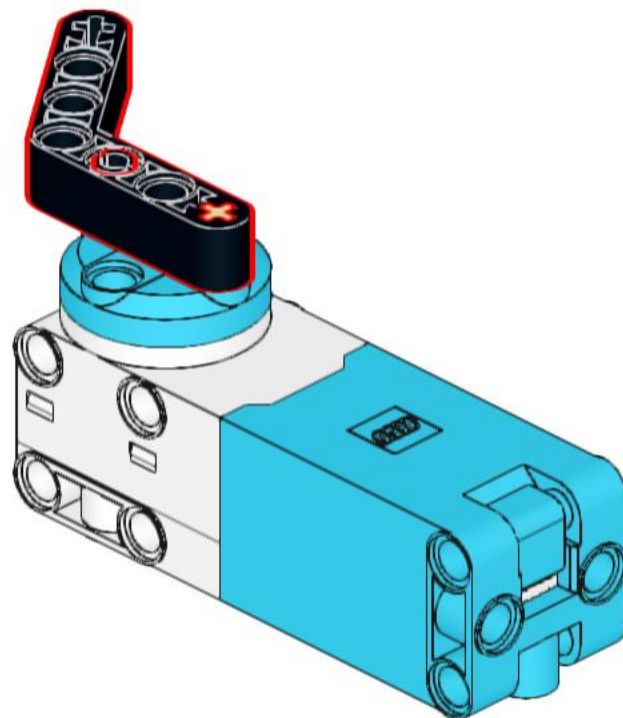
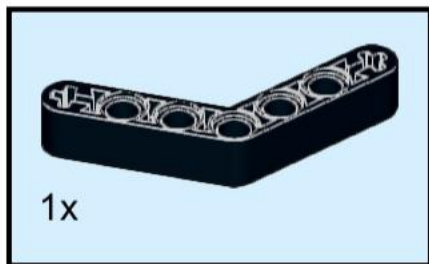
59



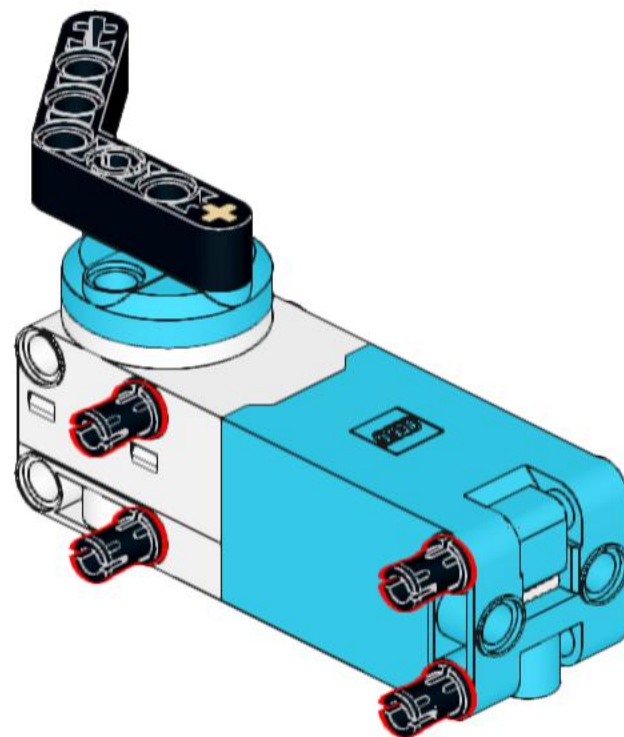
60



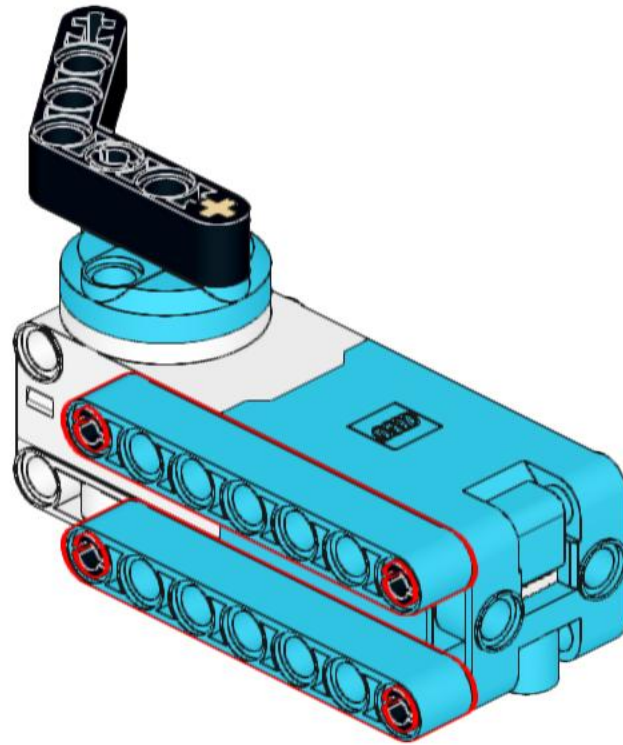
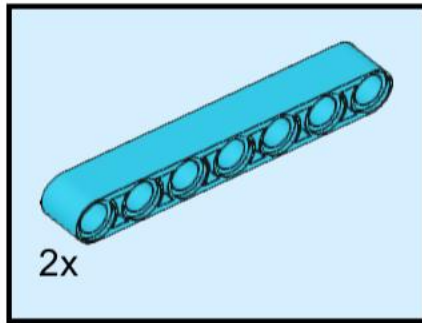
61



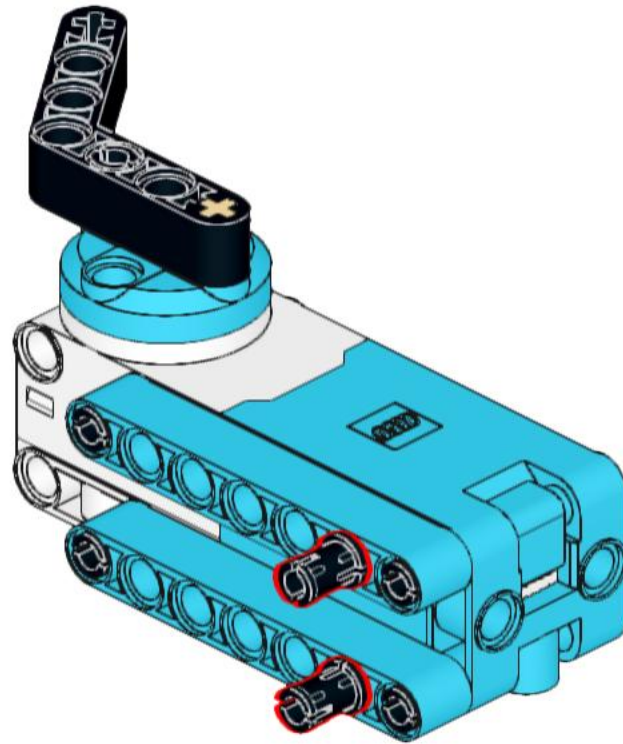
62



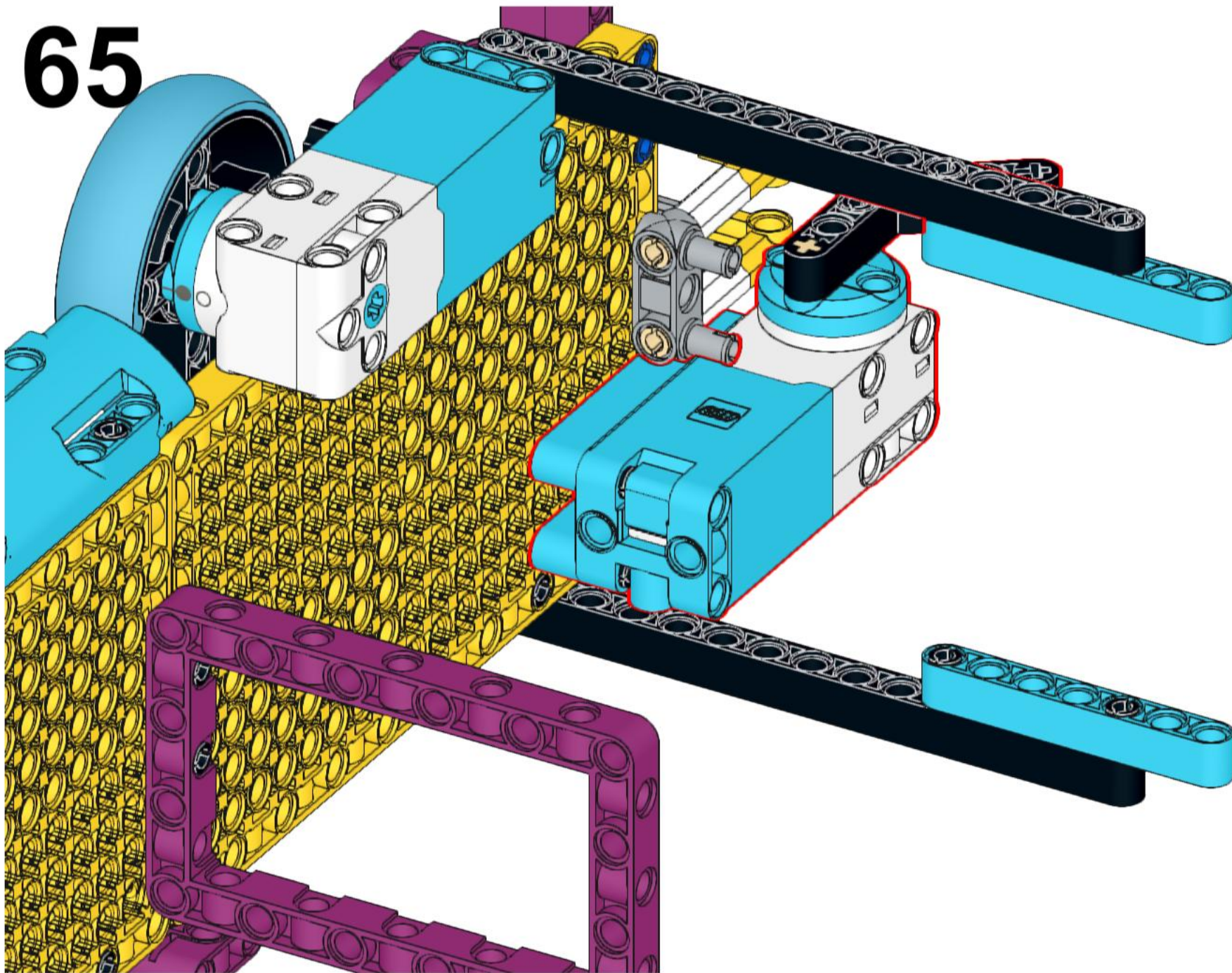
63



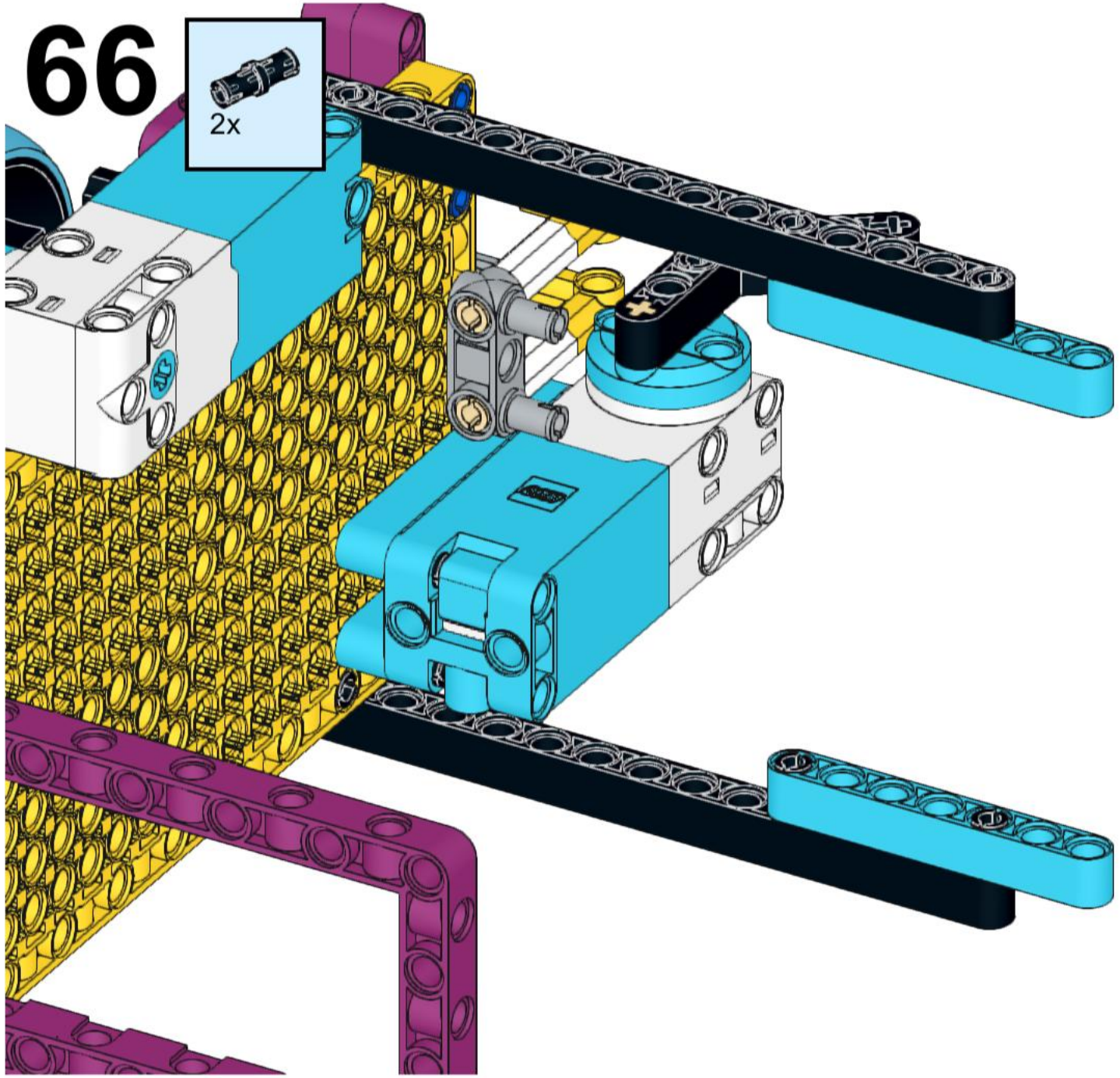
64



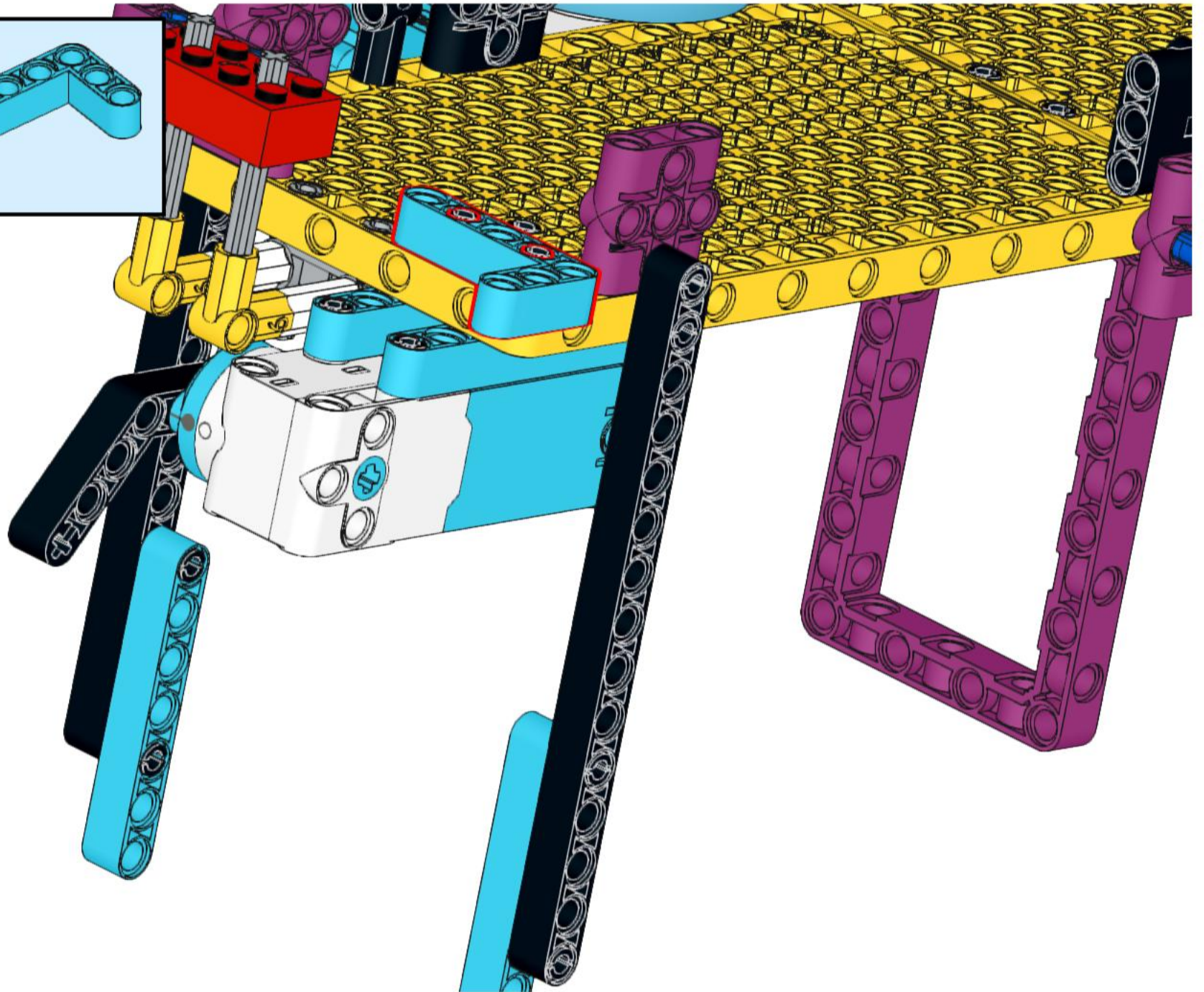
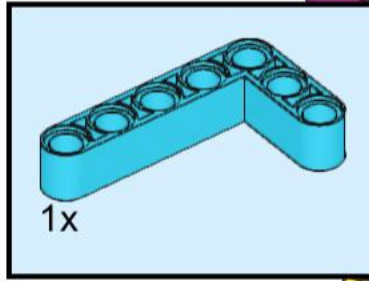
65



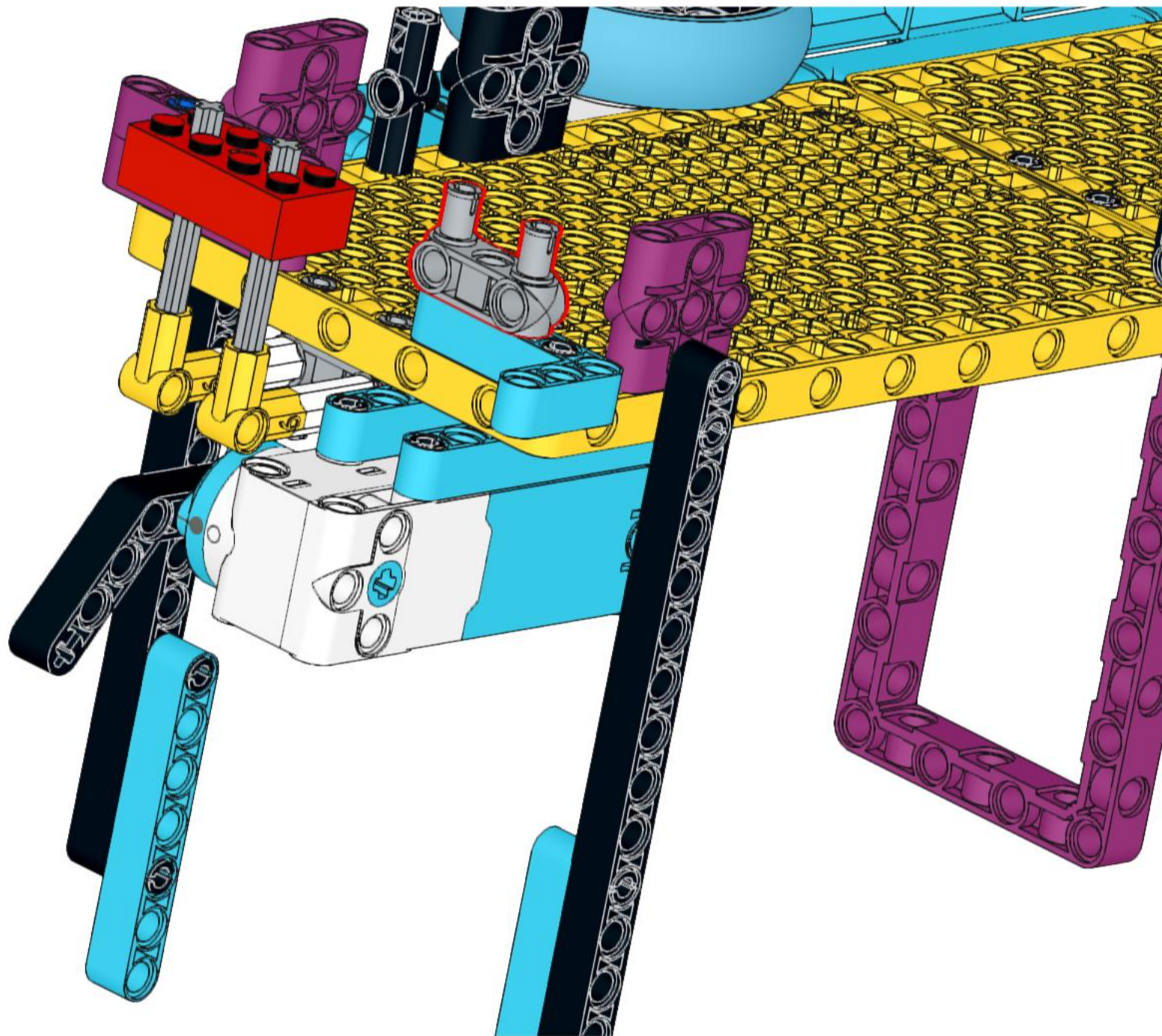
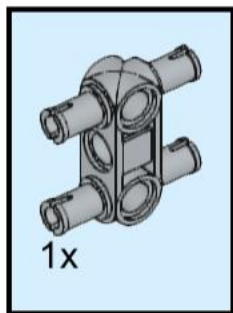
66



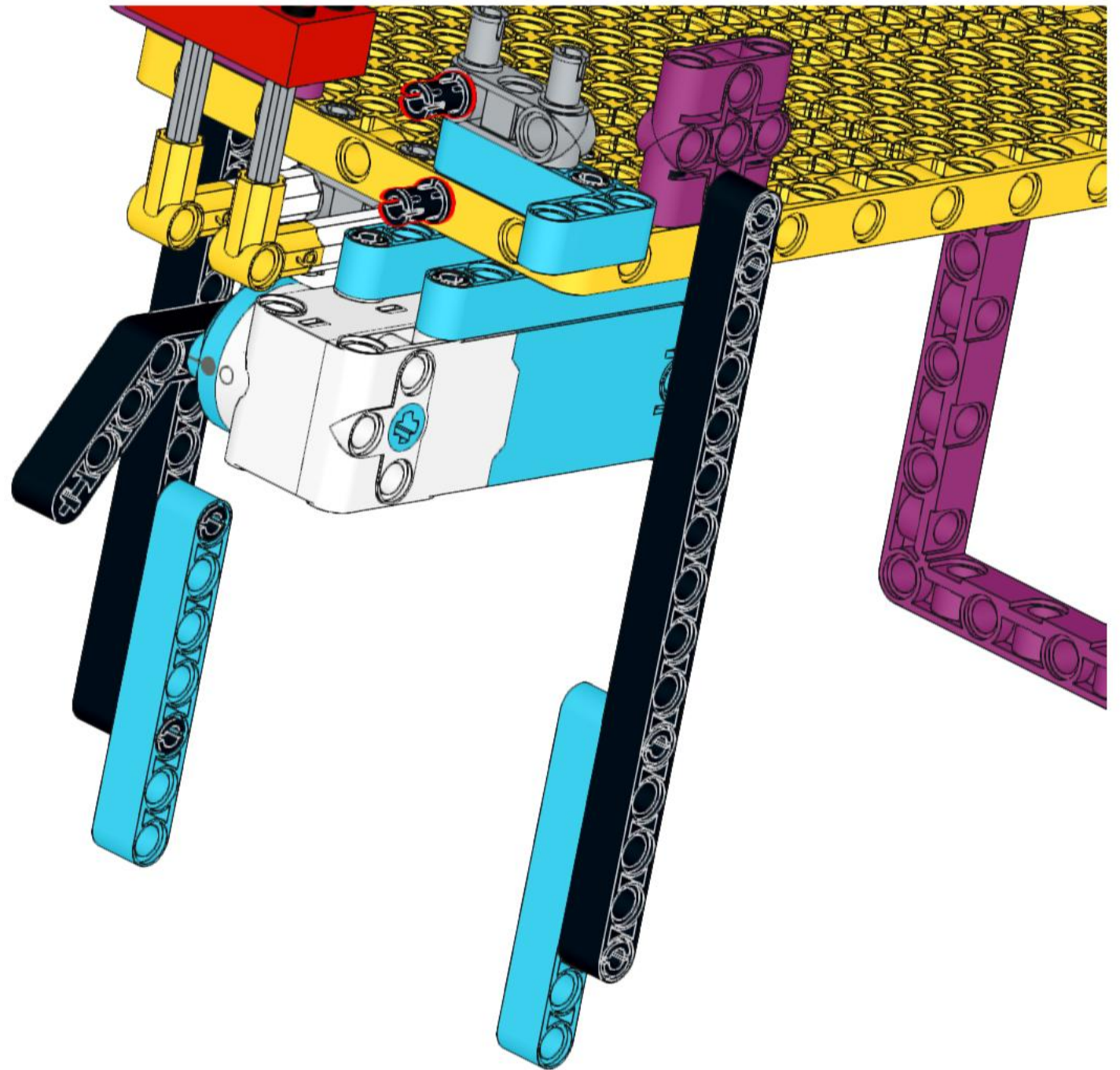
67



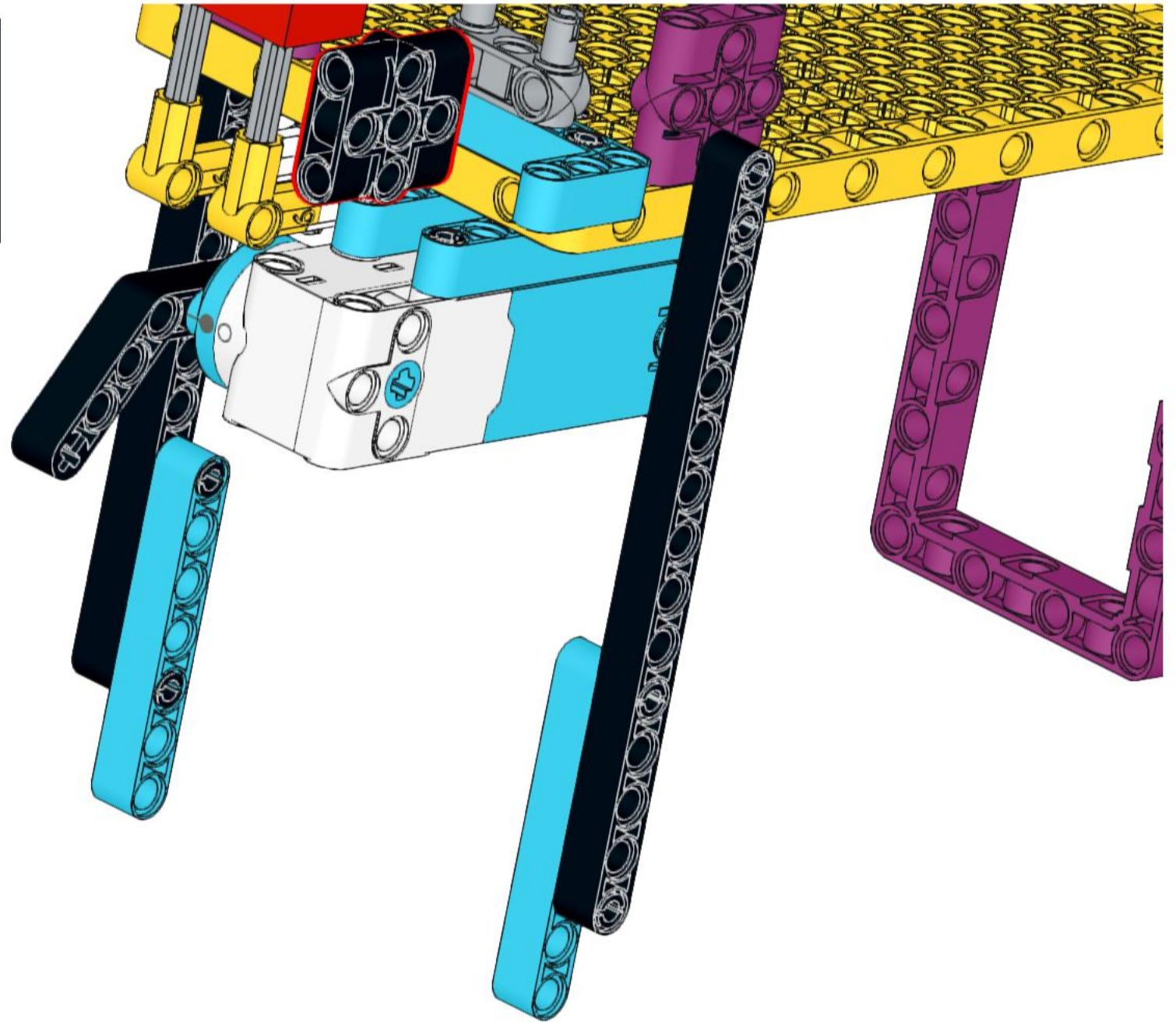
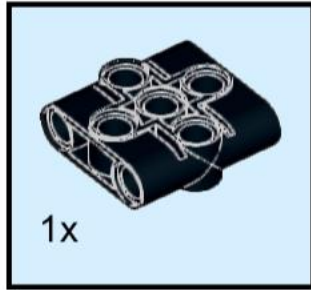
68

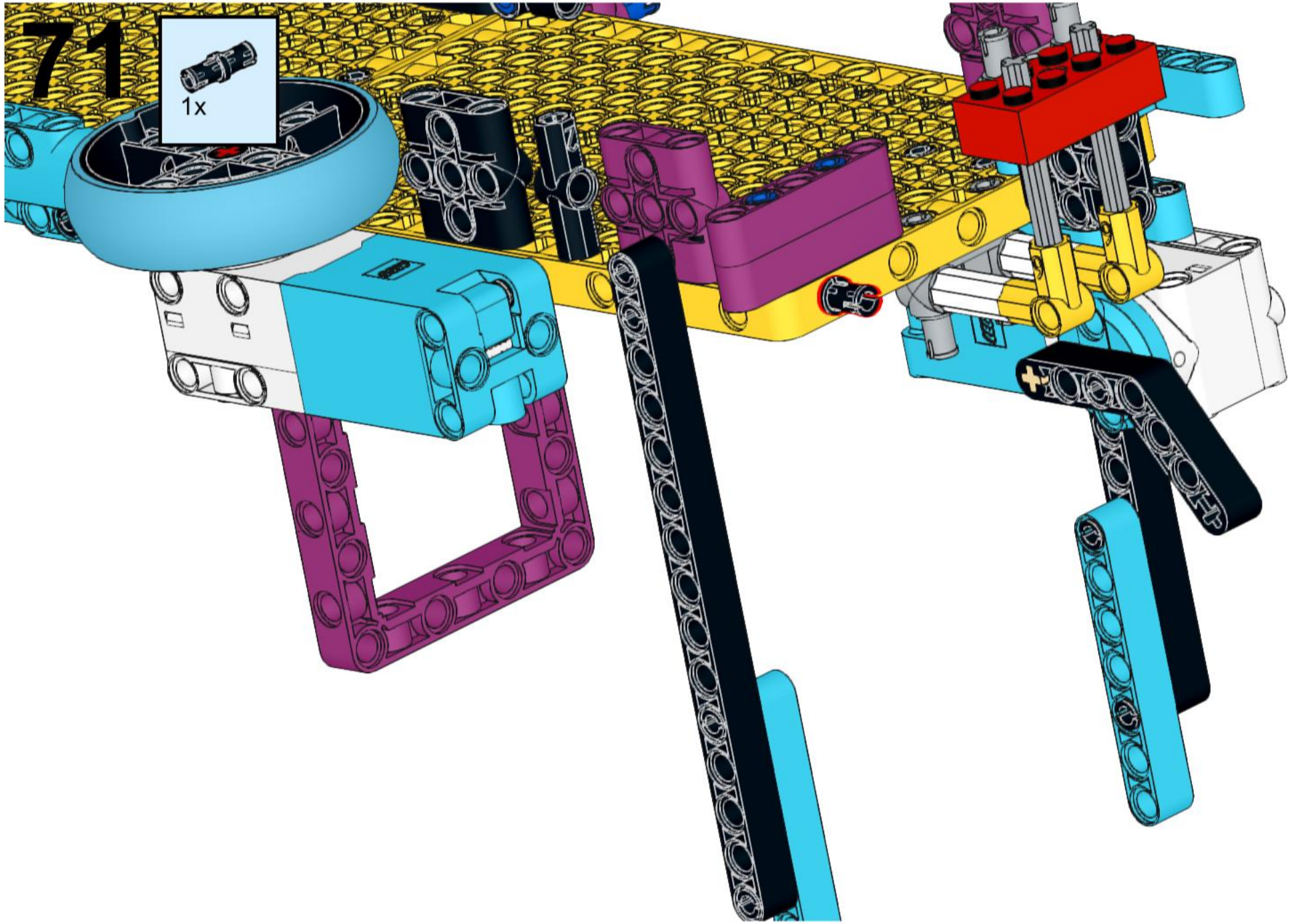


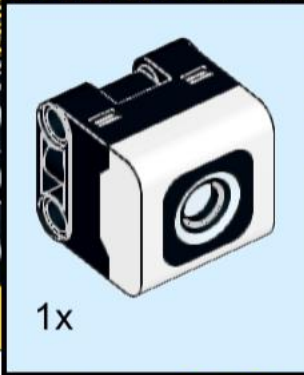
69



70



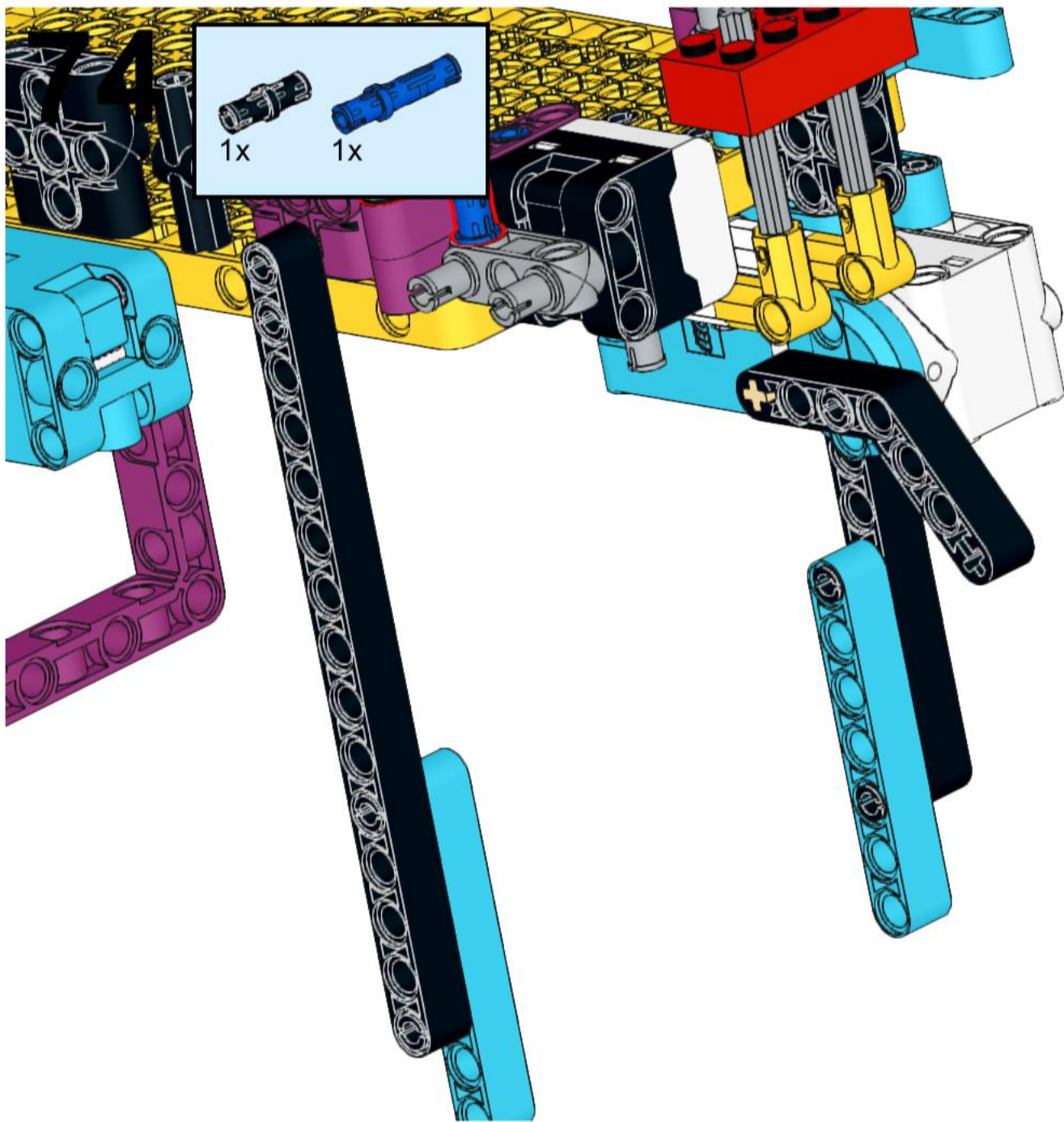


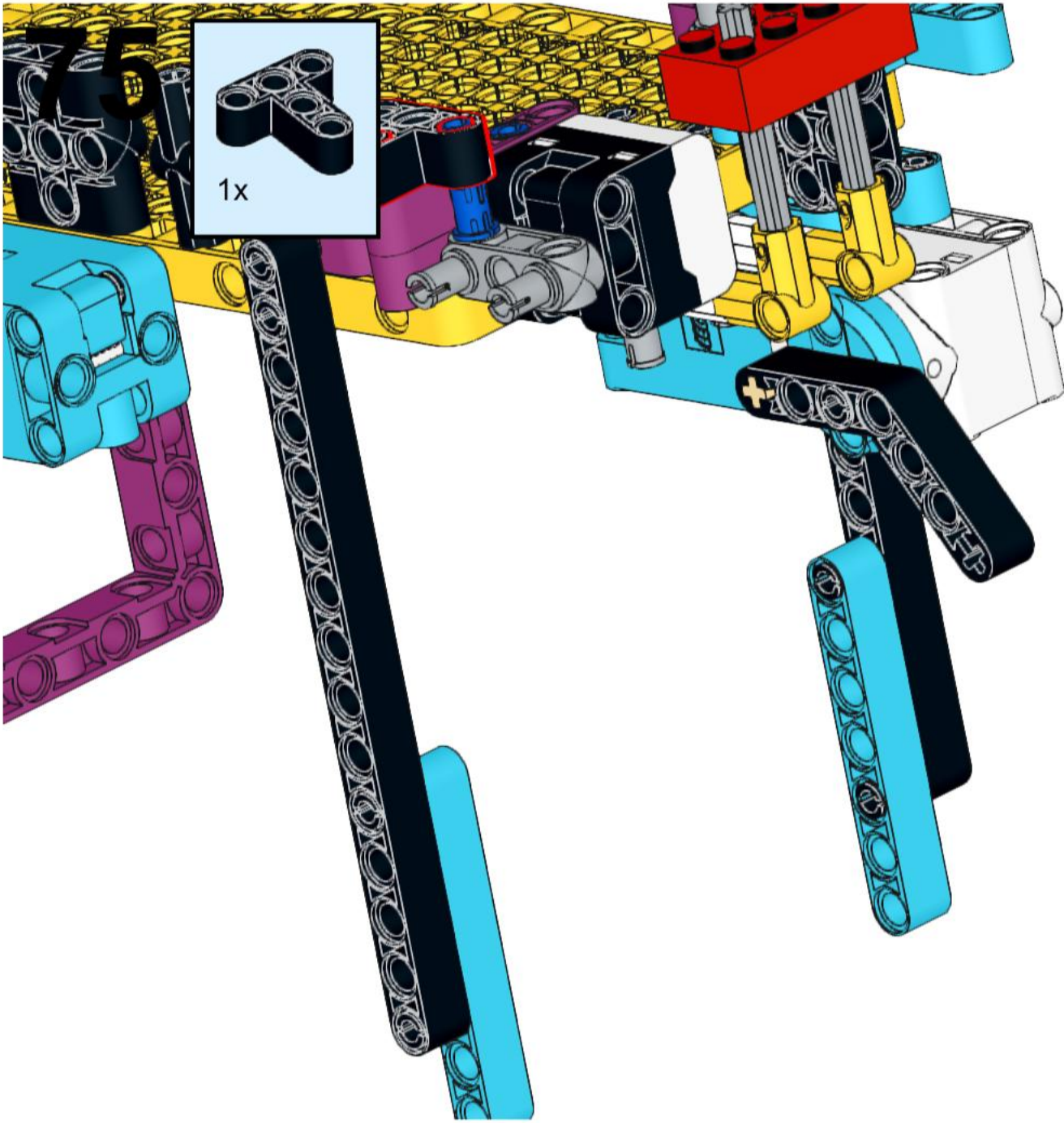


1x



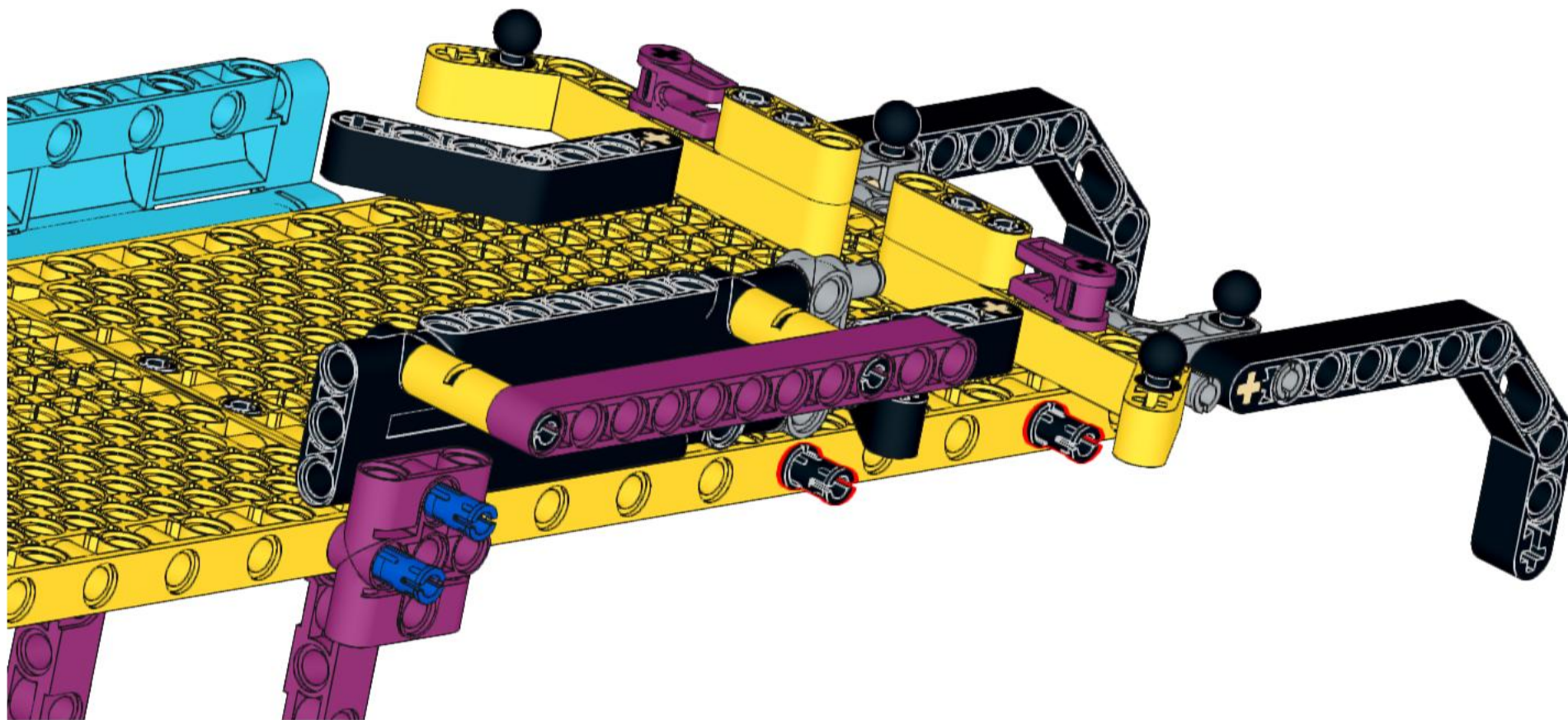
1x

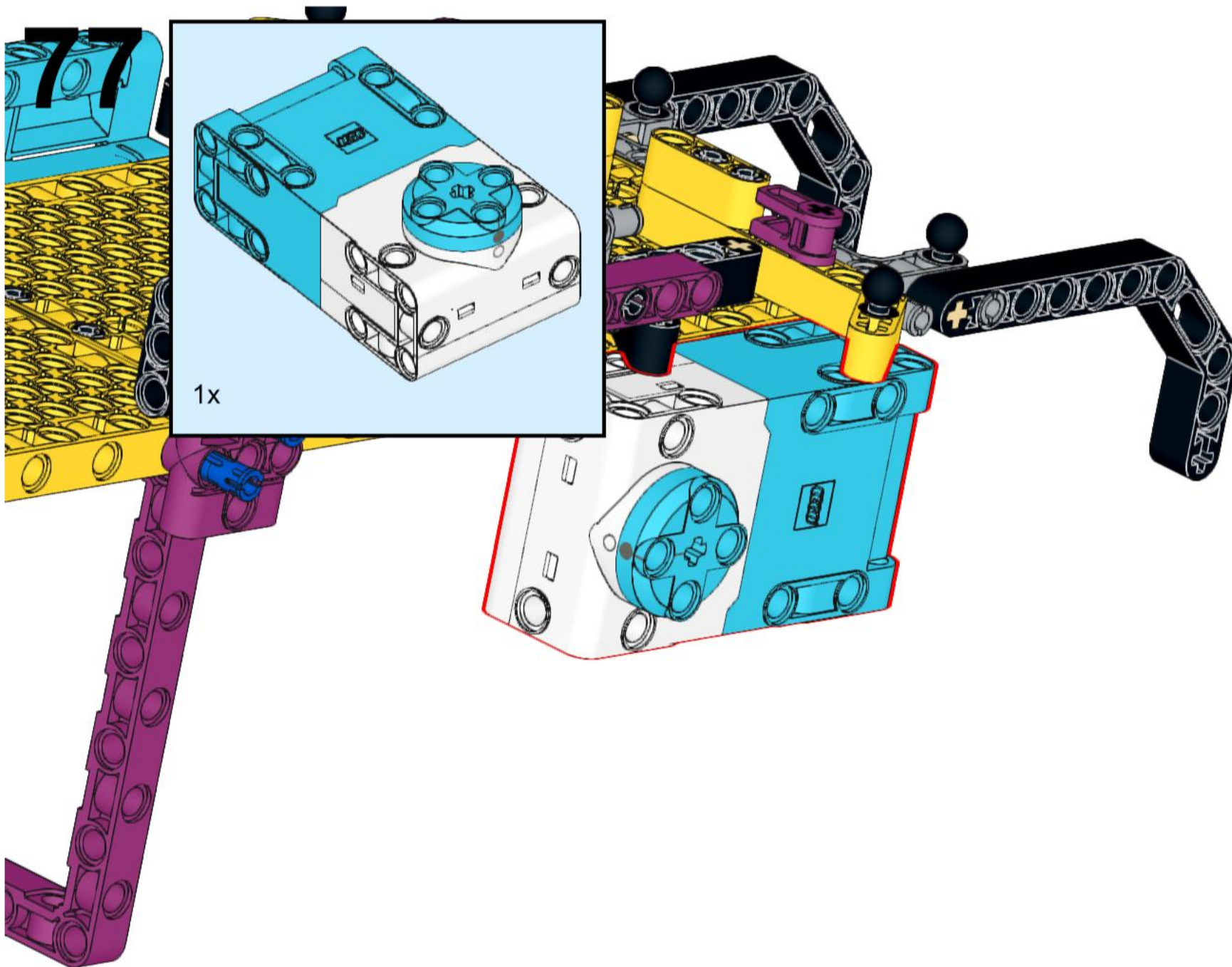




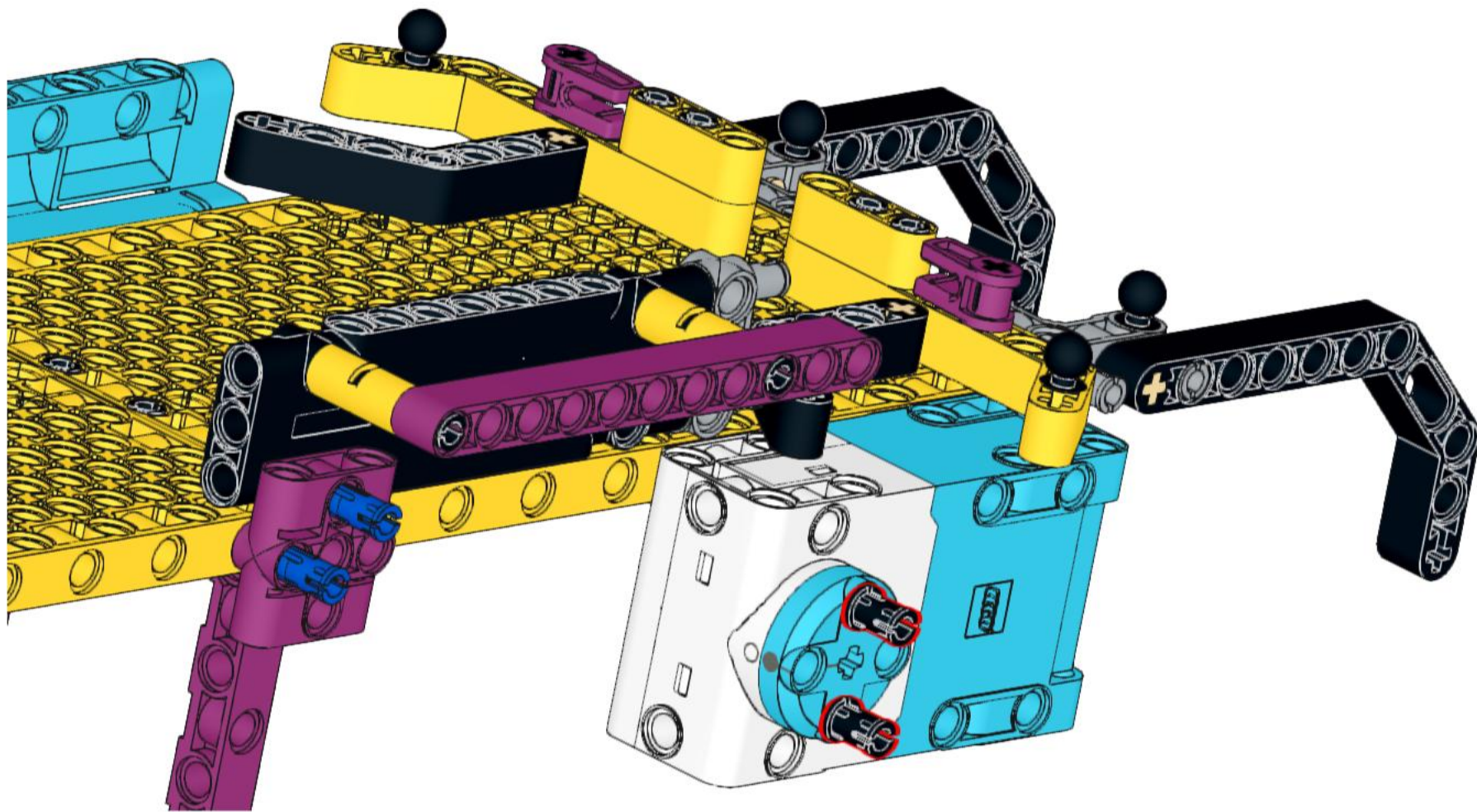
1x

76

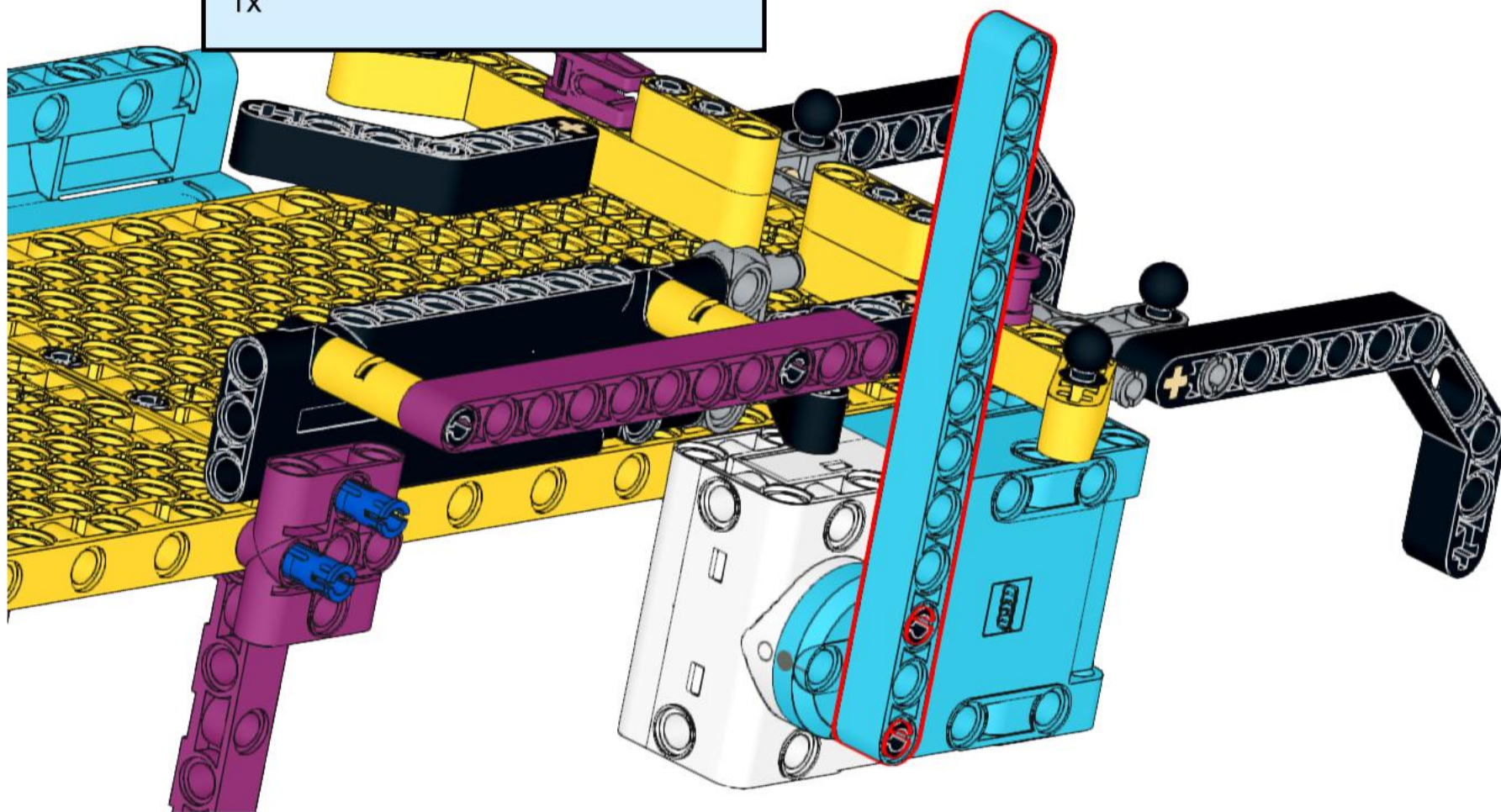
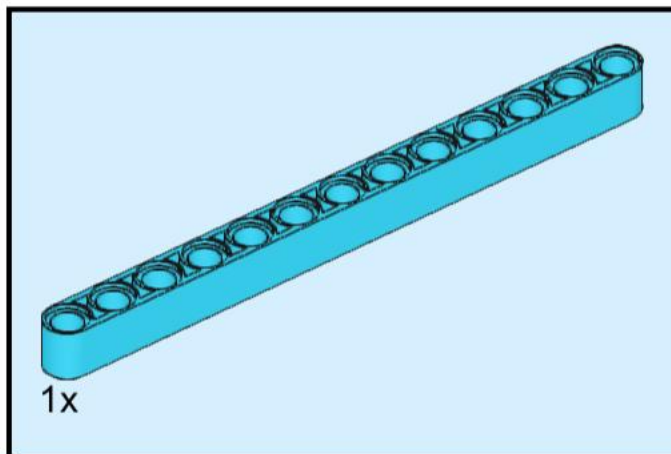




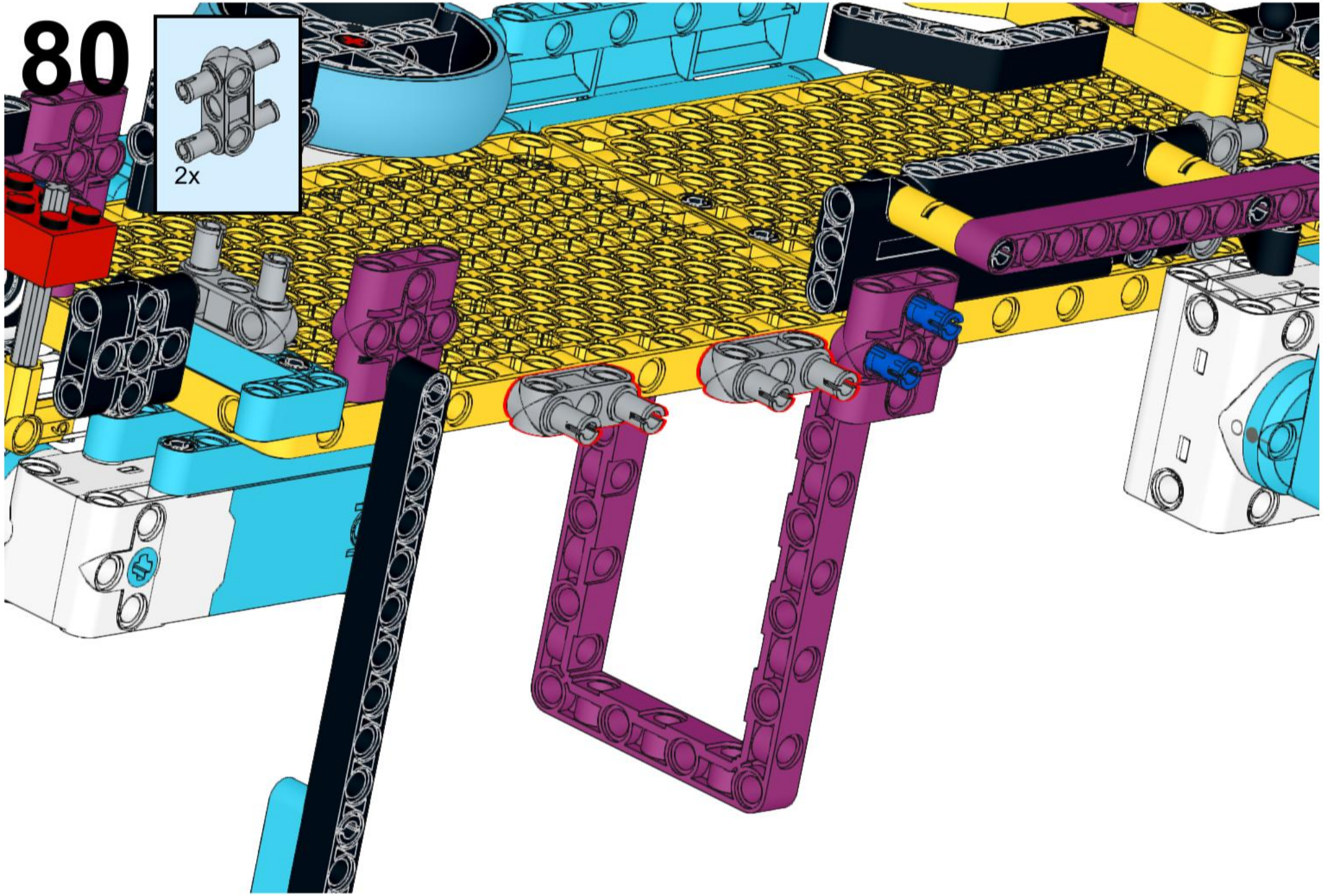
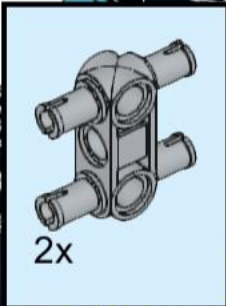
78



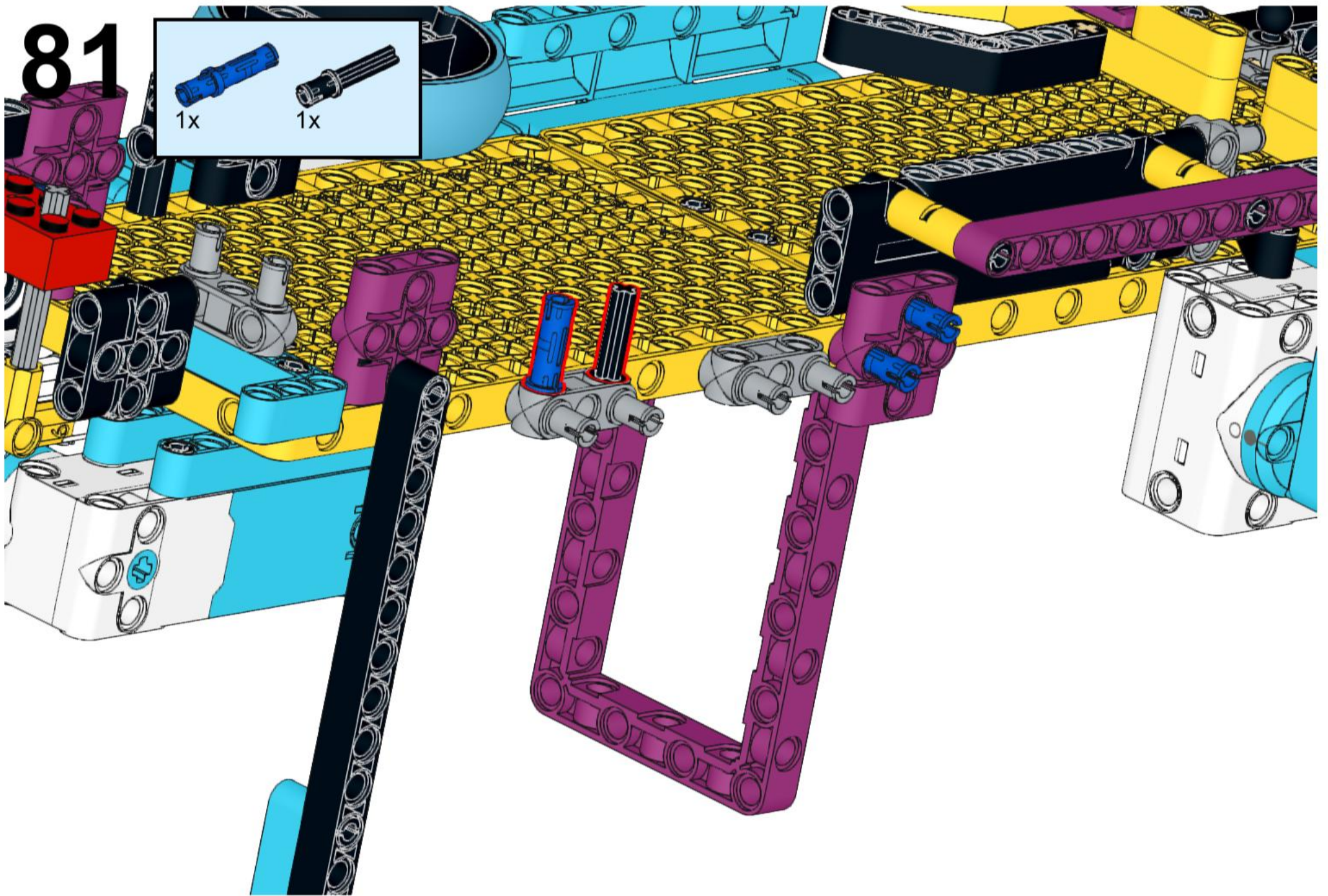
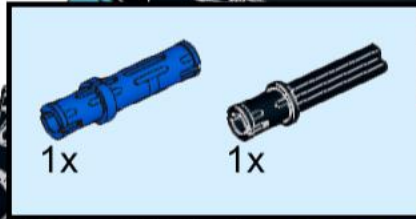
79



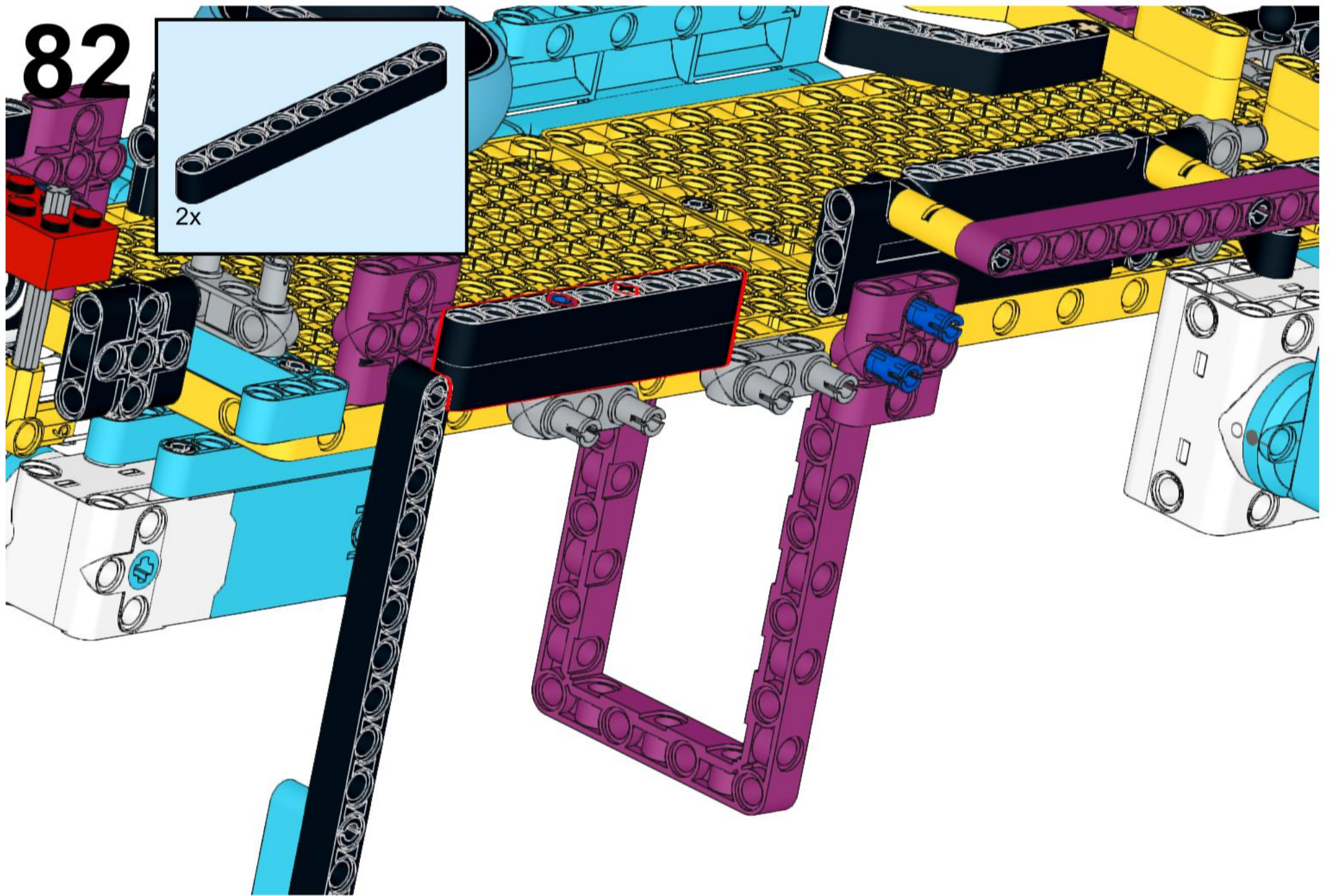
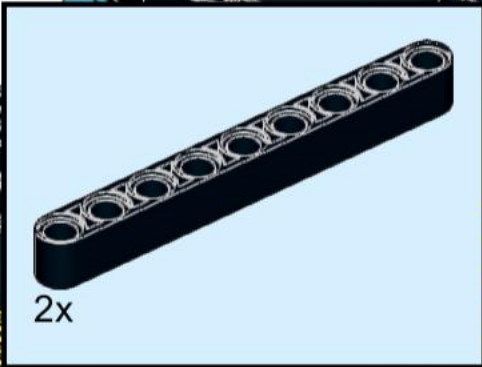
80



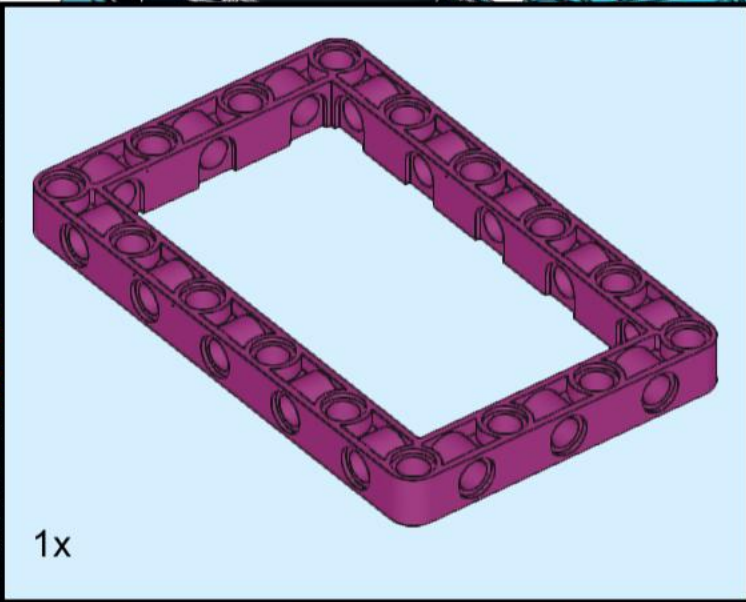
81



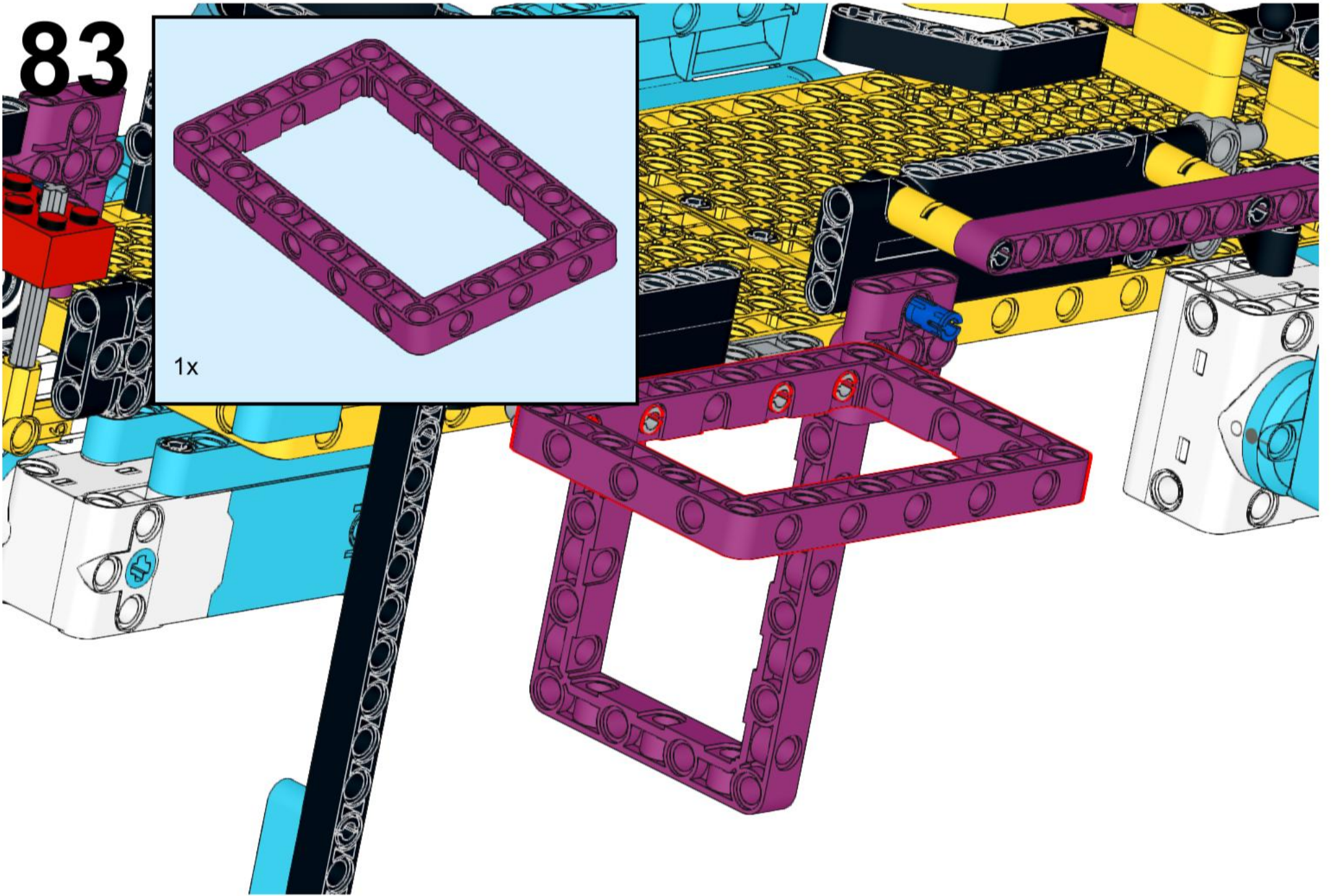
82



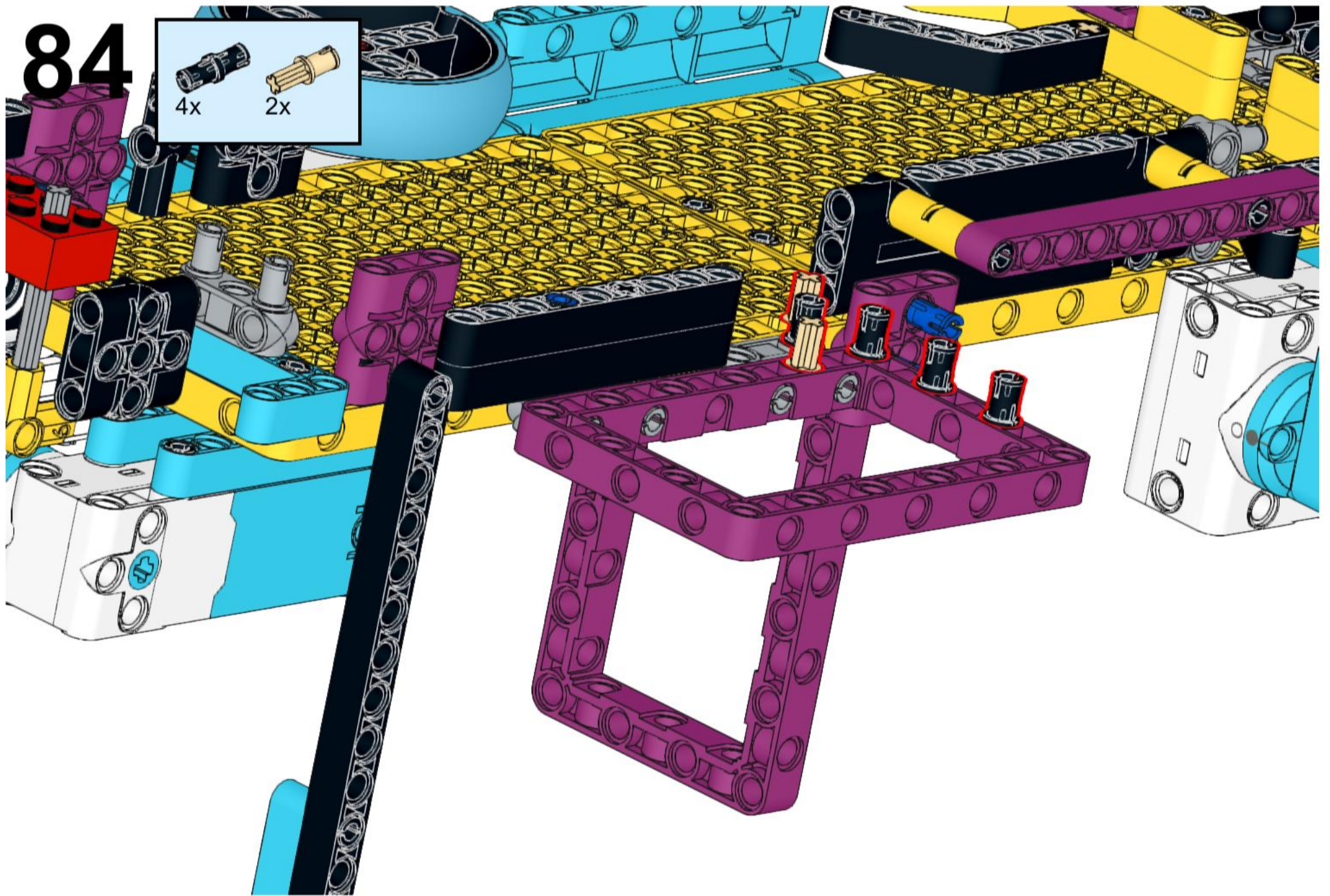
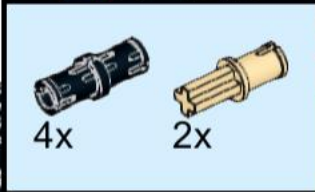
83



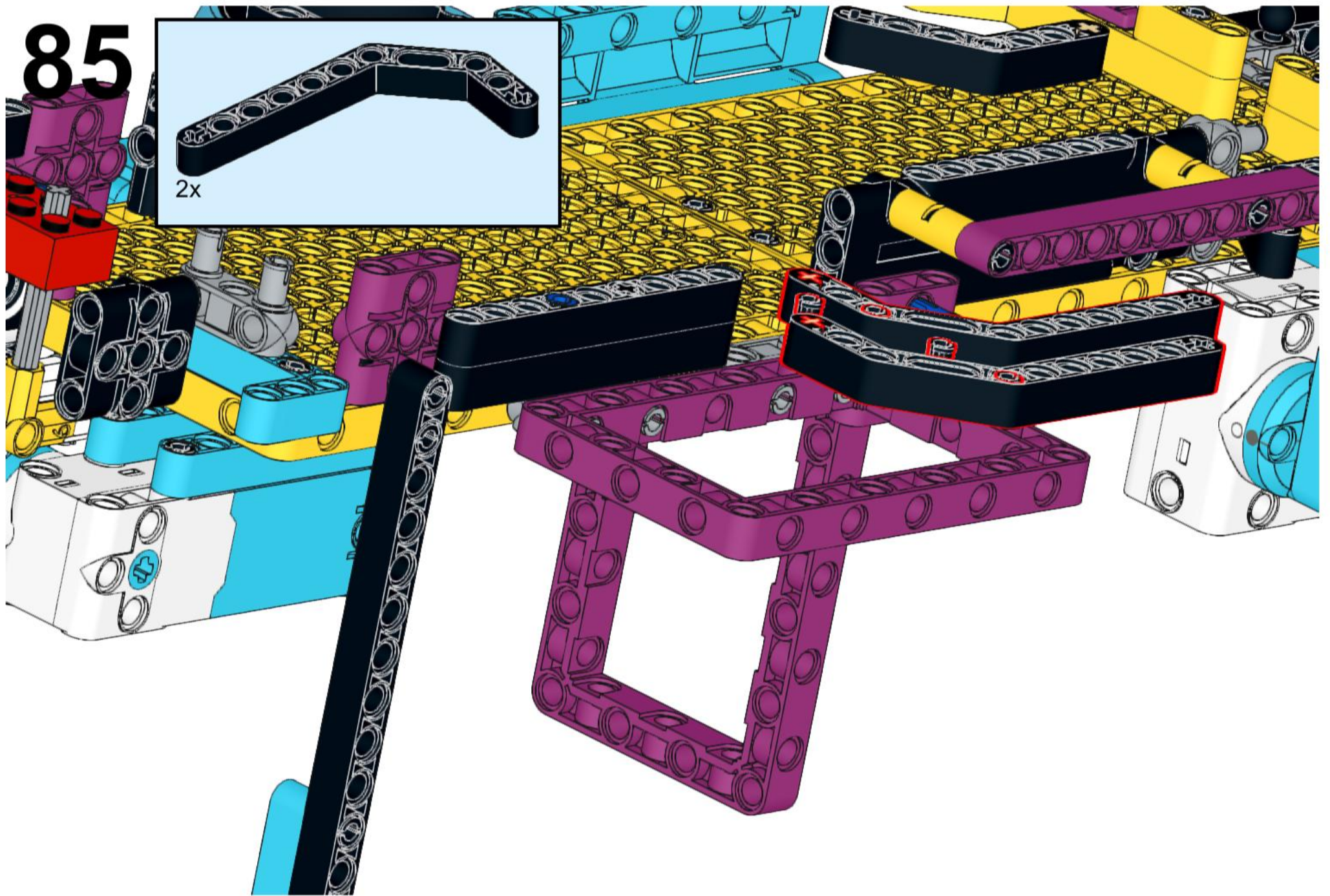
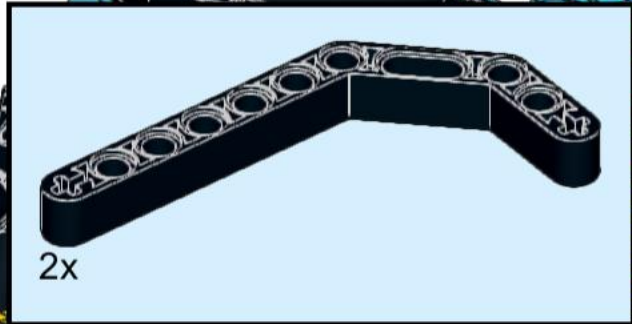
1x



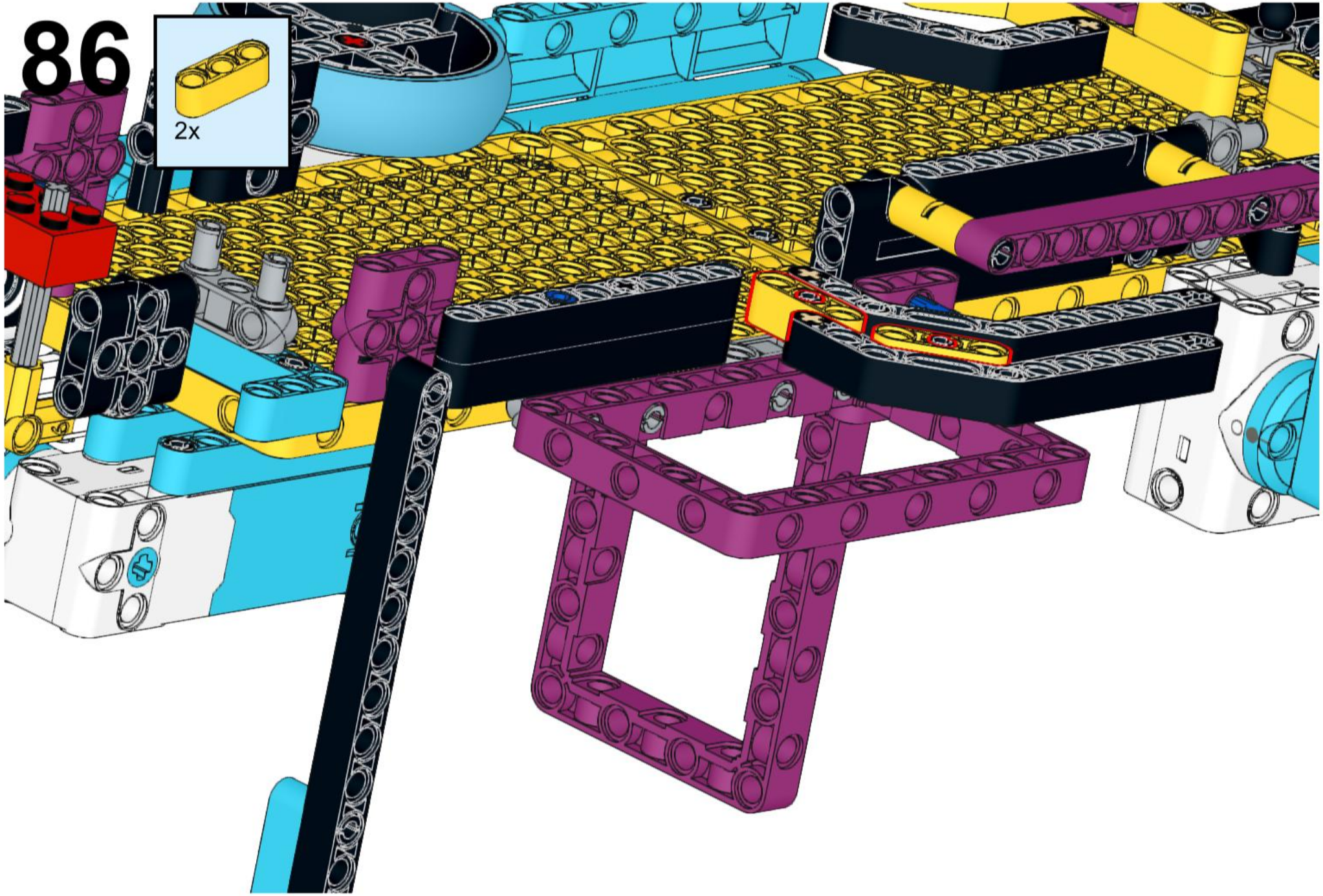
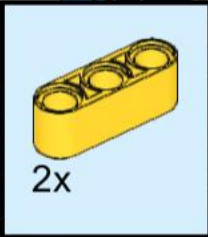
84



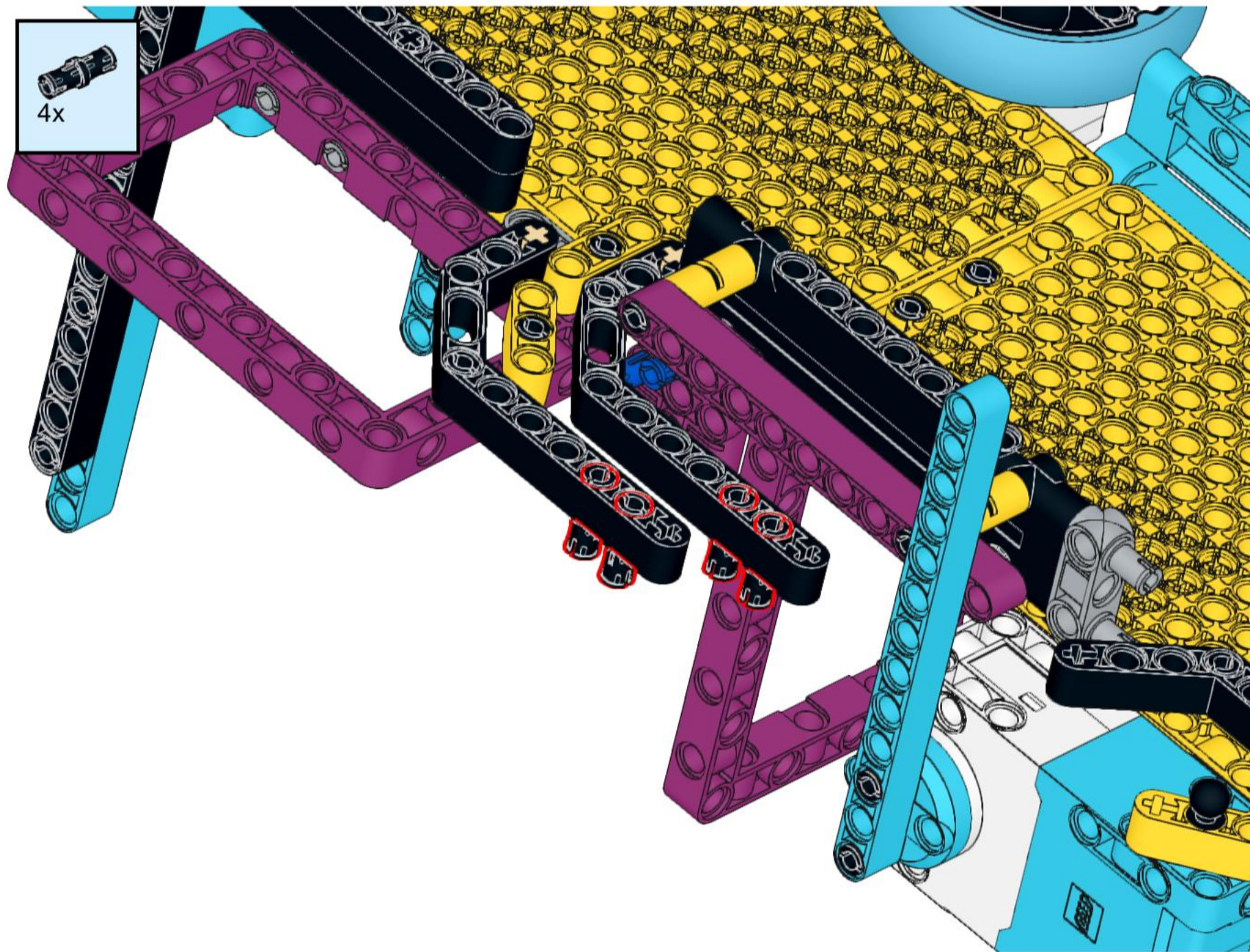
85



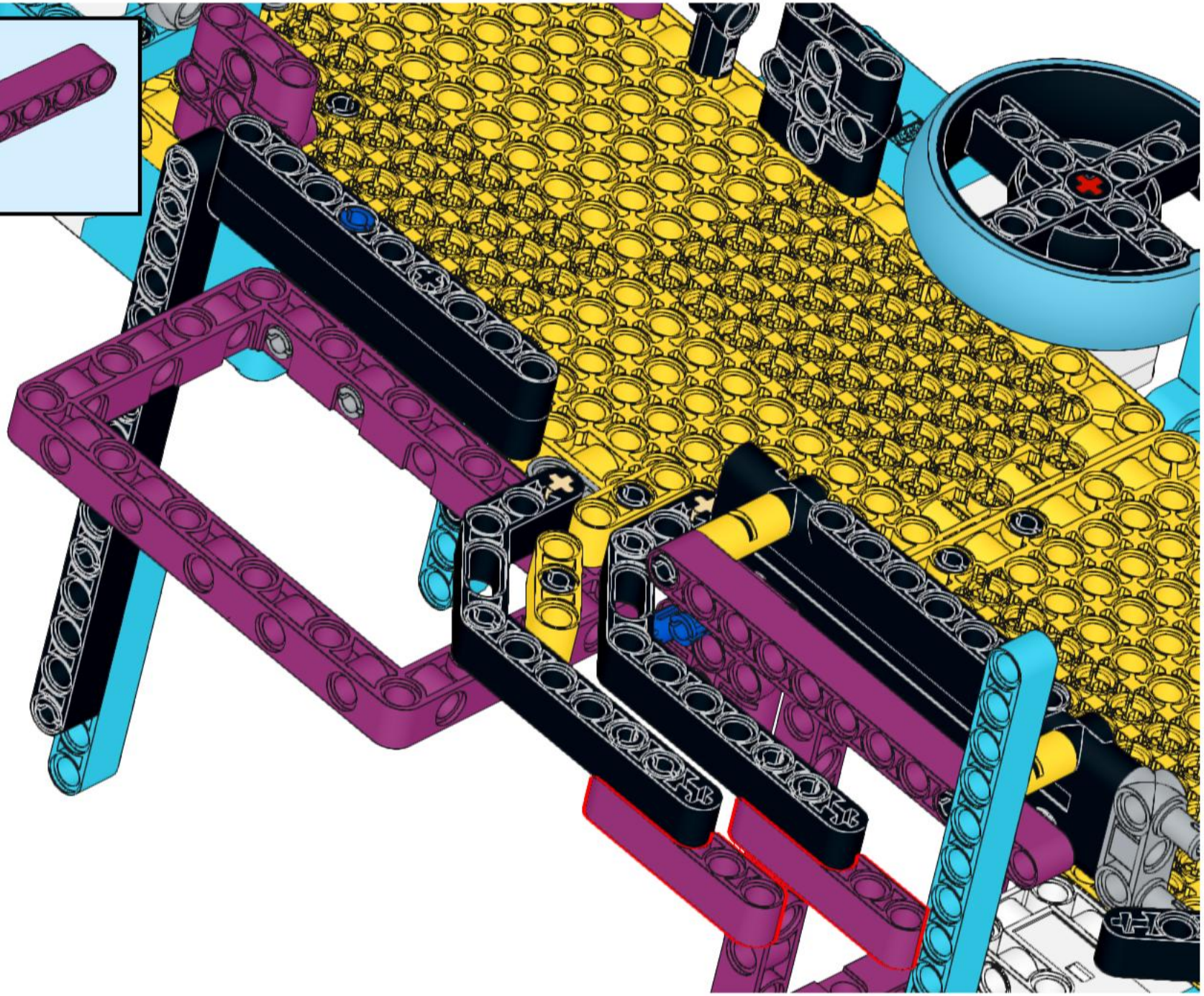
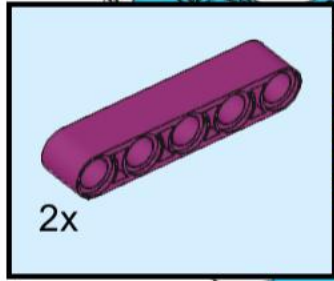
86



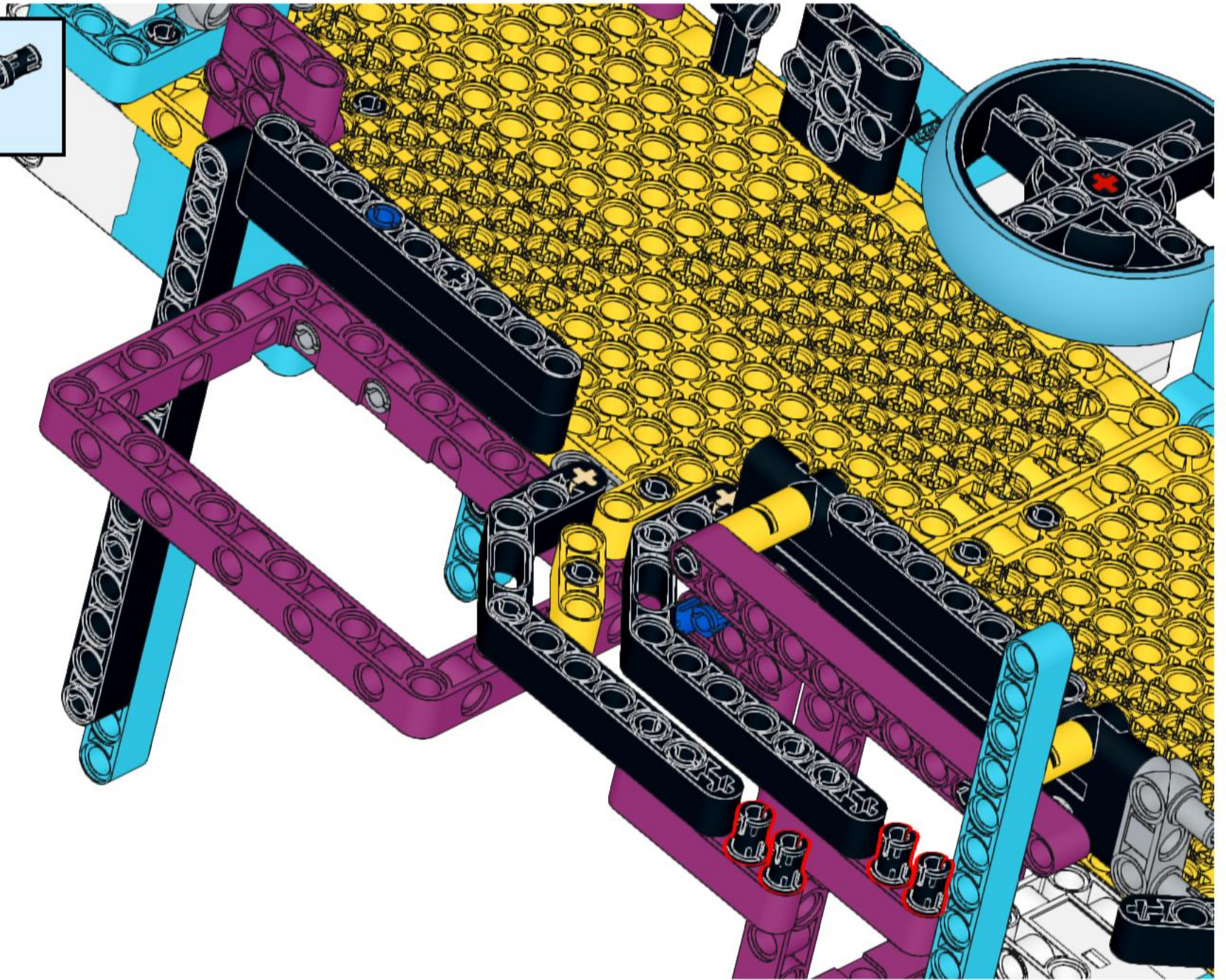
87



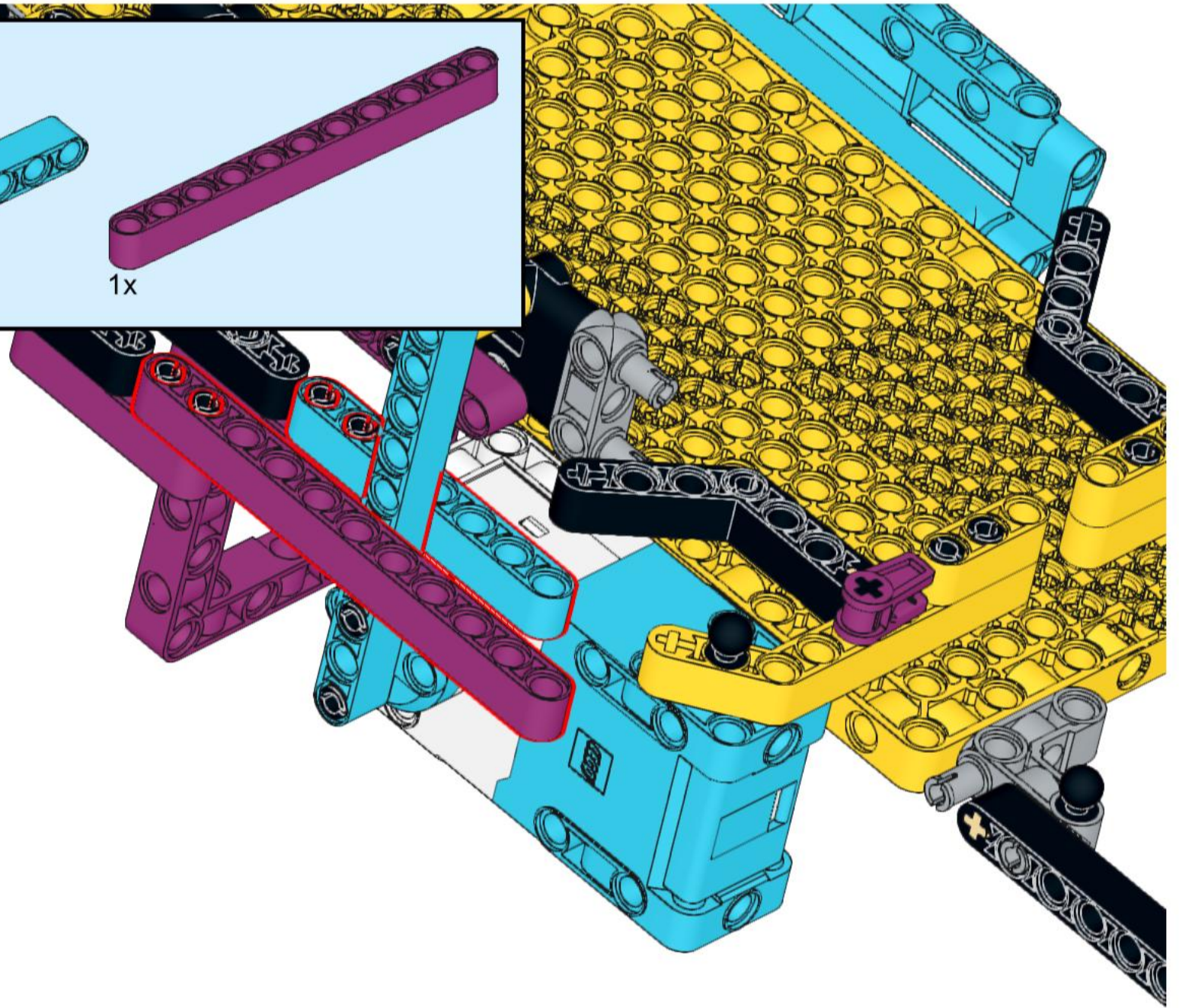
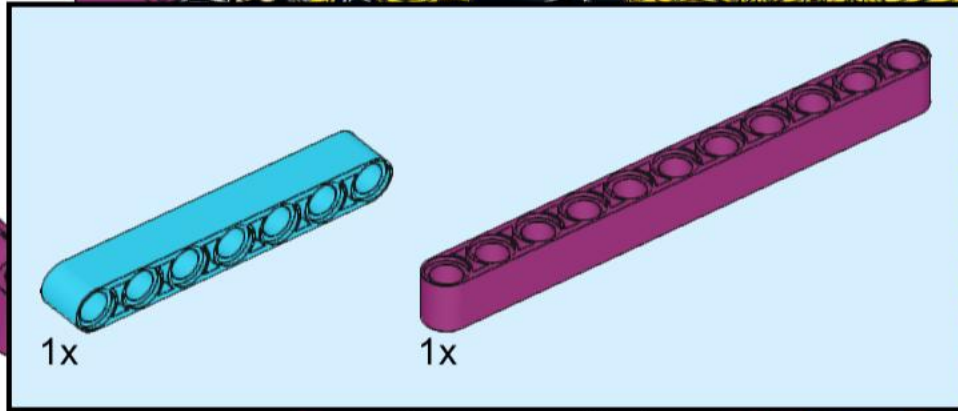
88

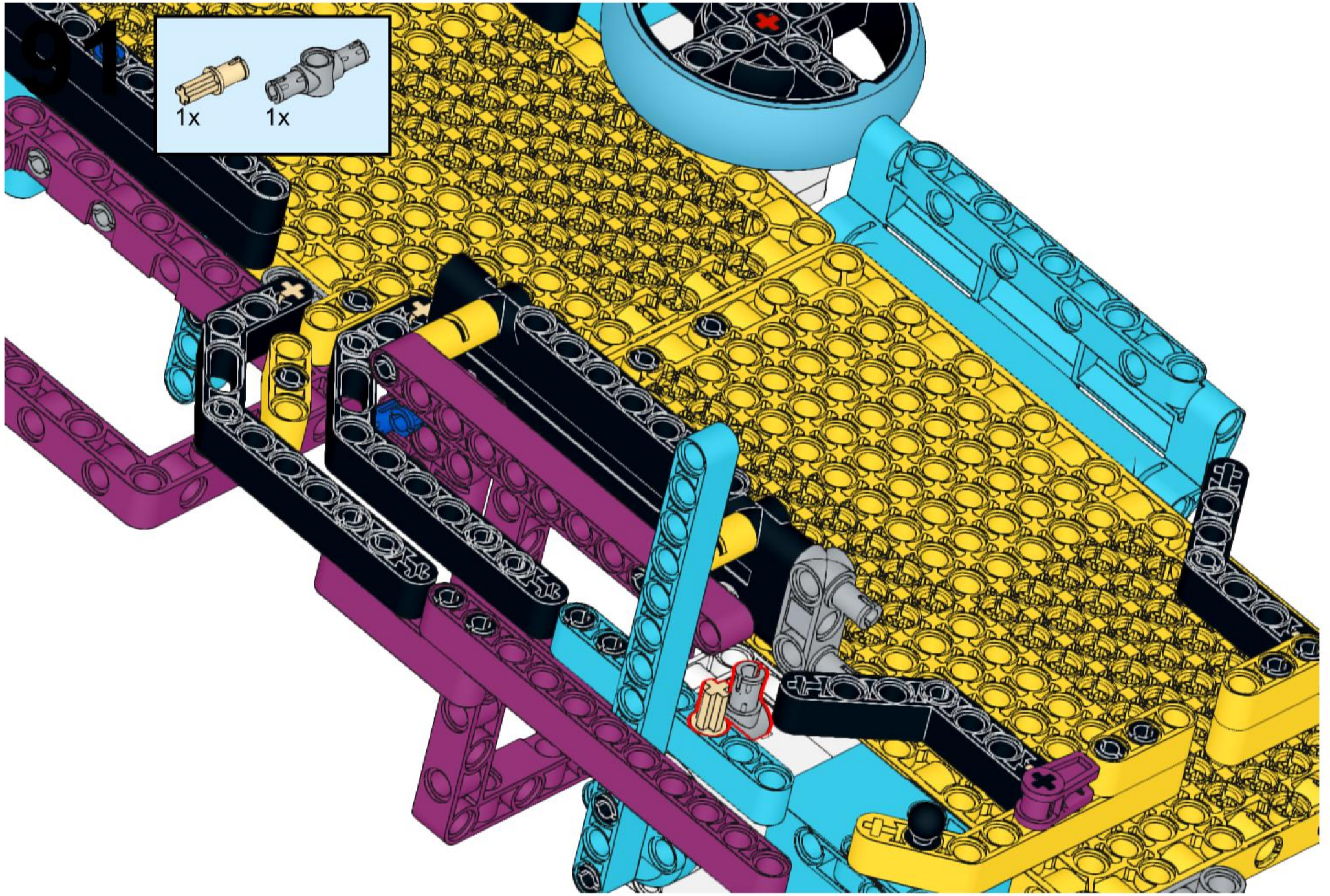


89

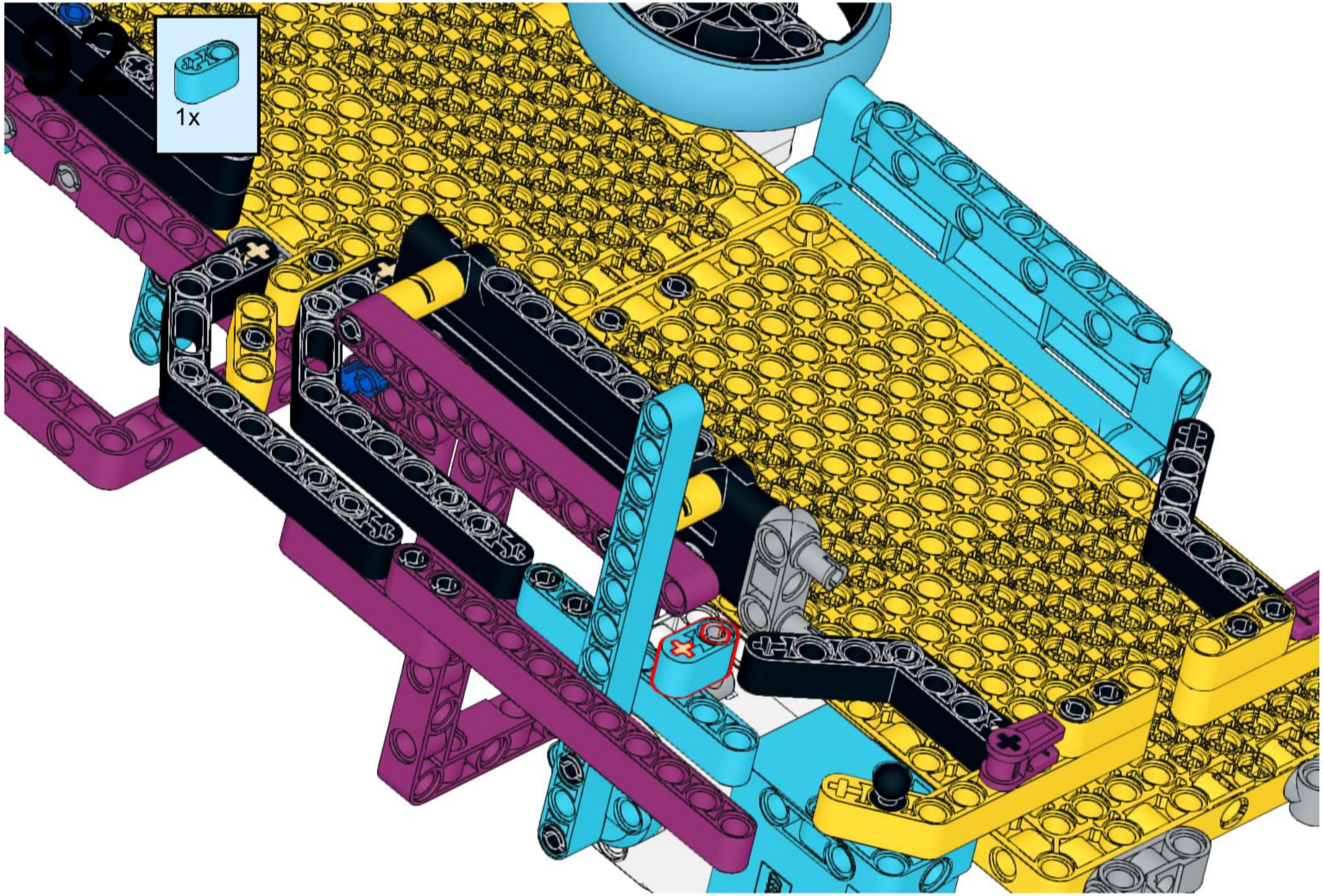


90

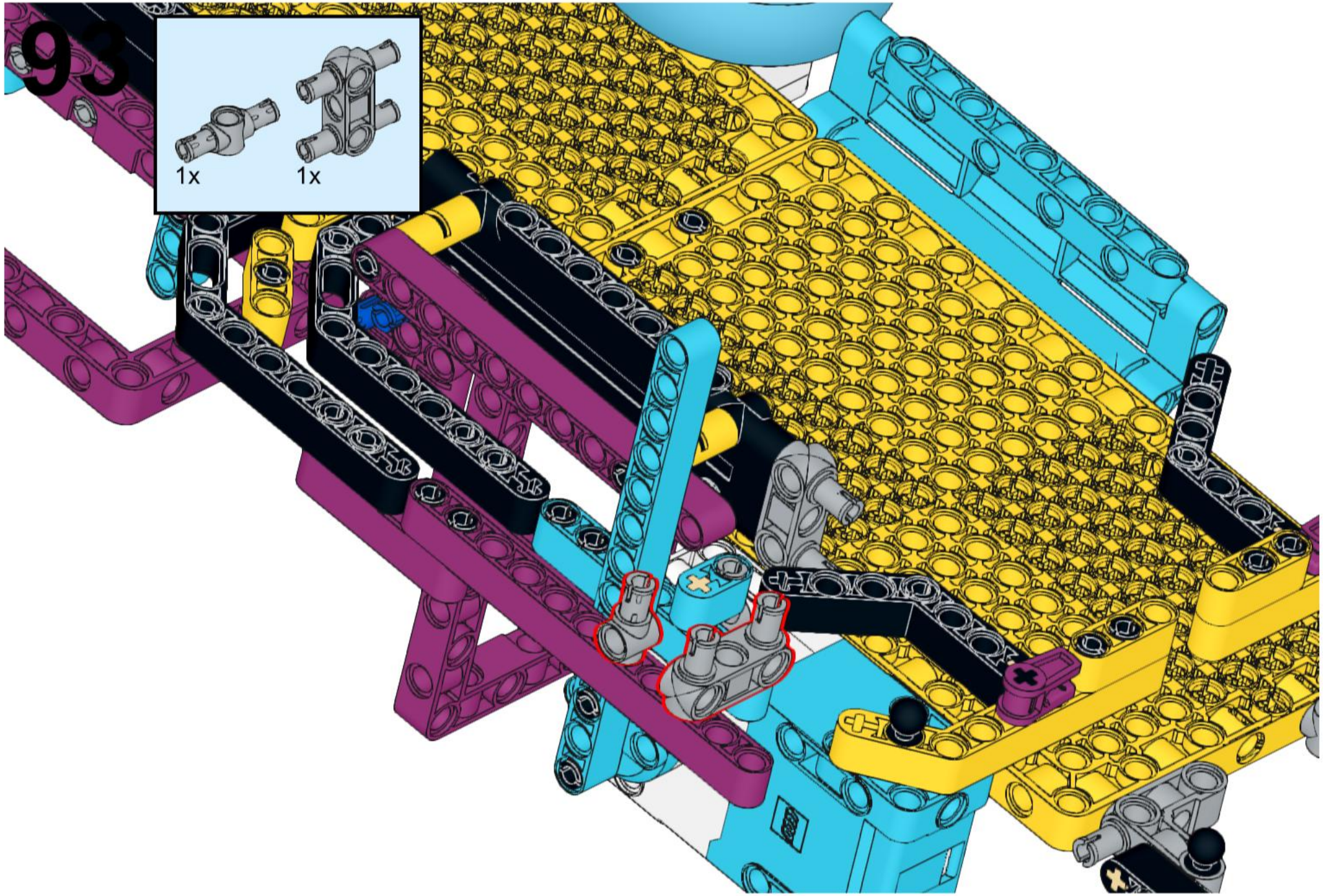




1x 1x



1x

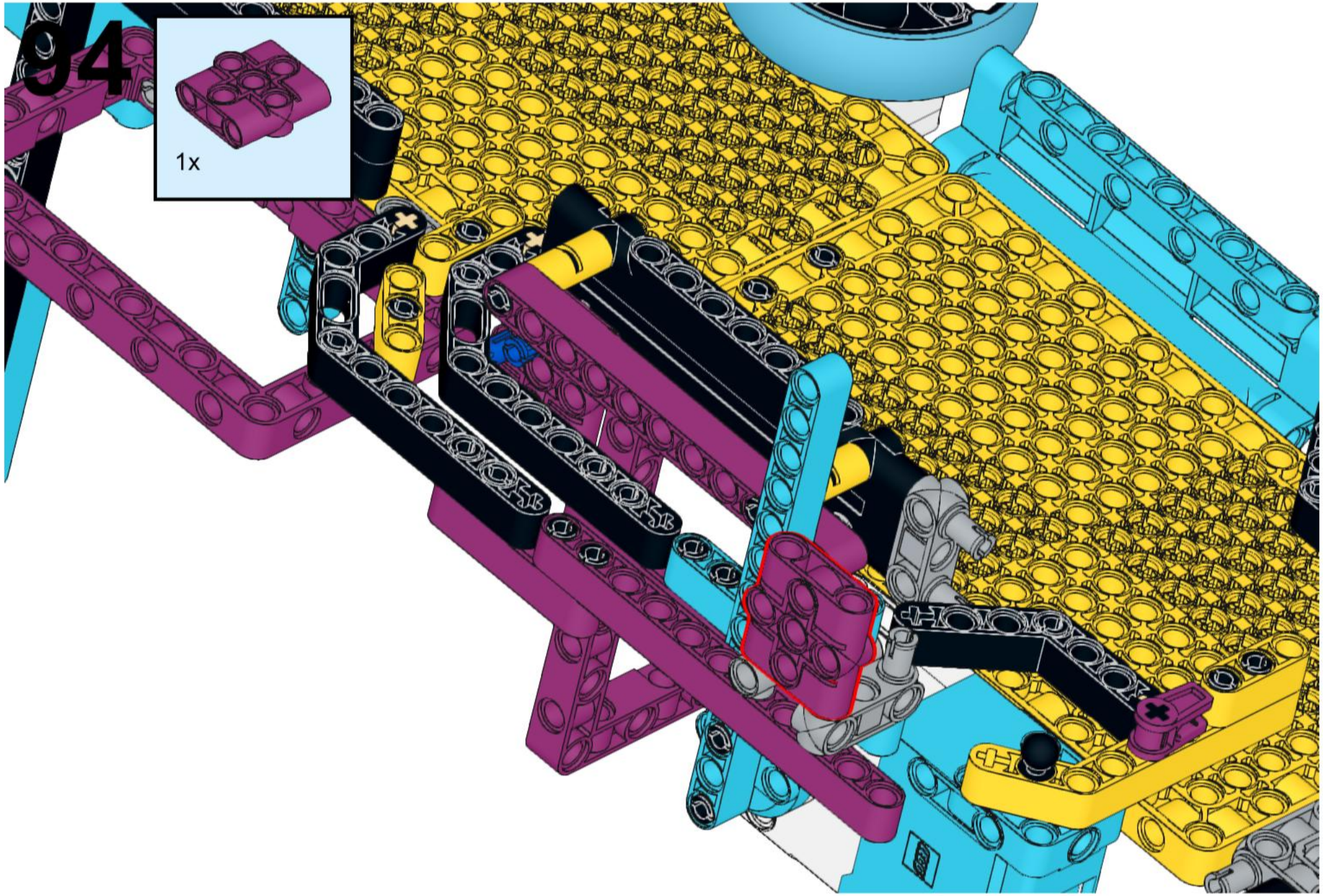
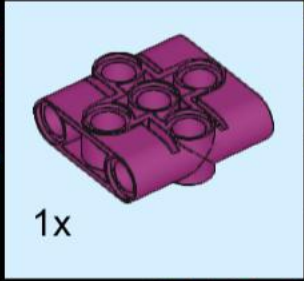


99

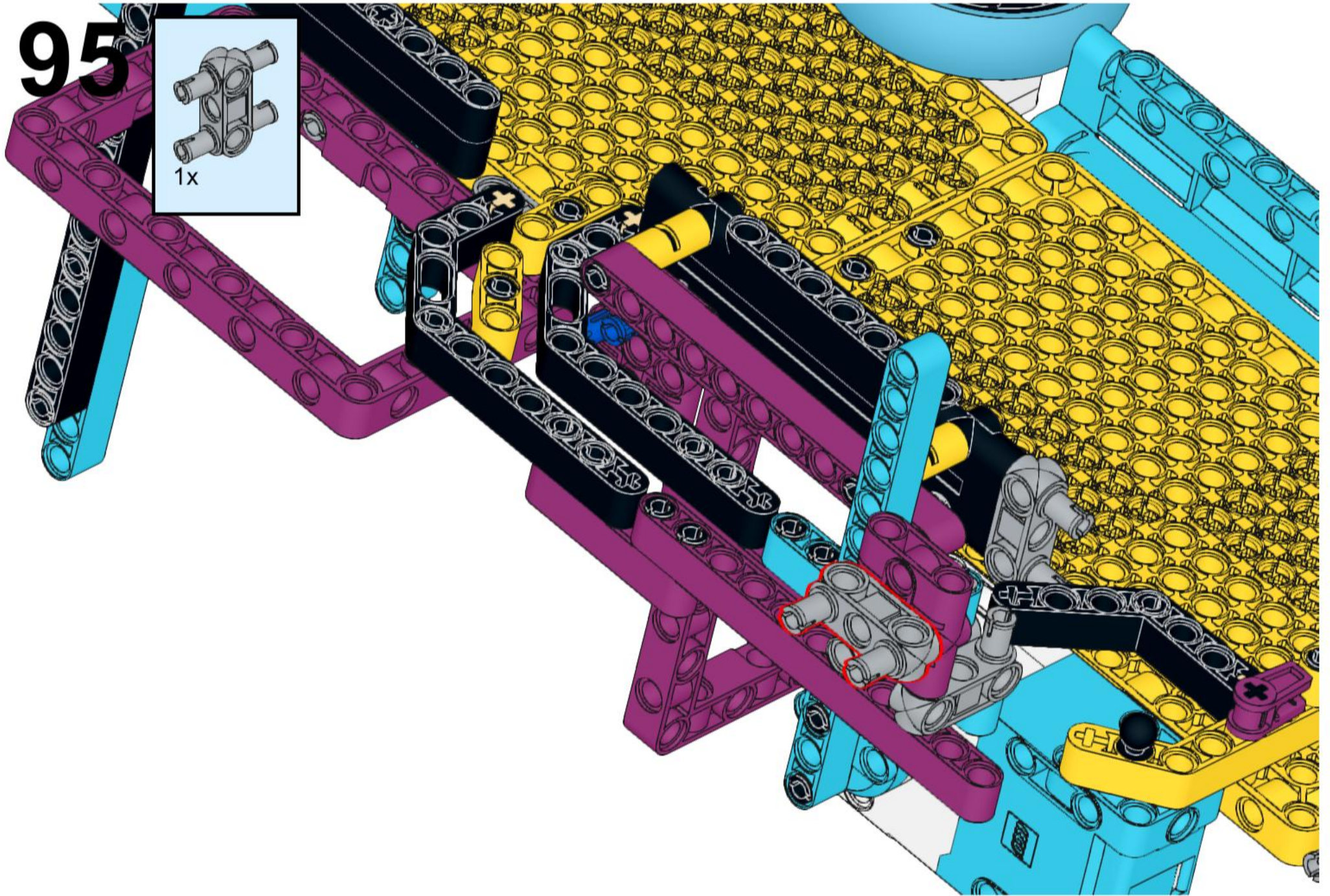
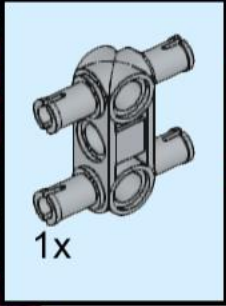
1x

1x

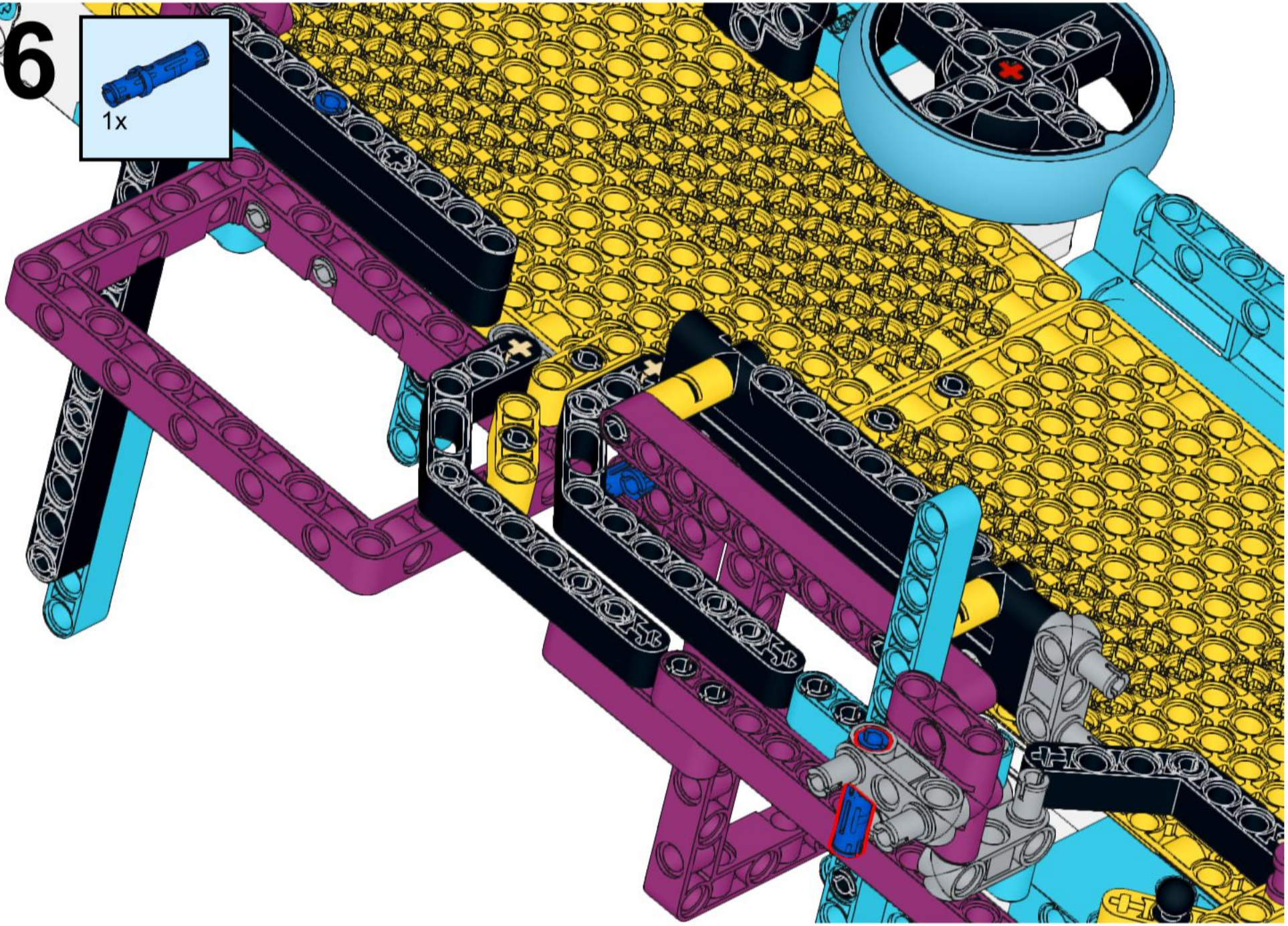
94



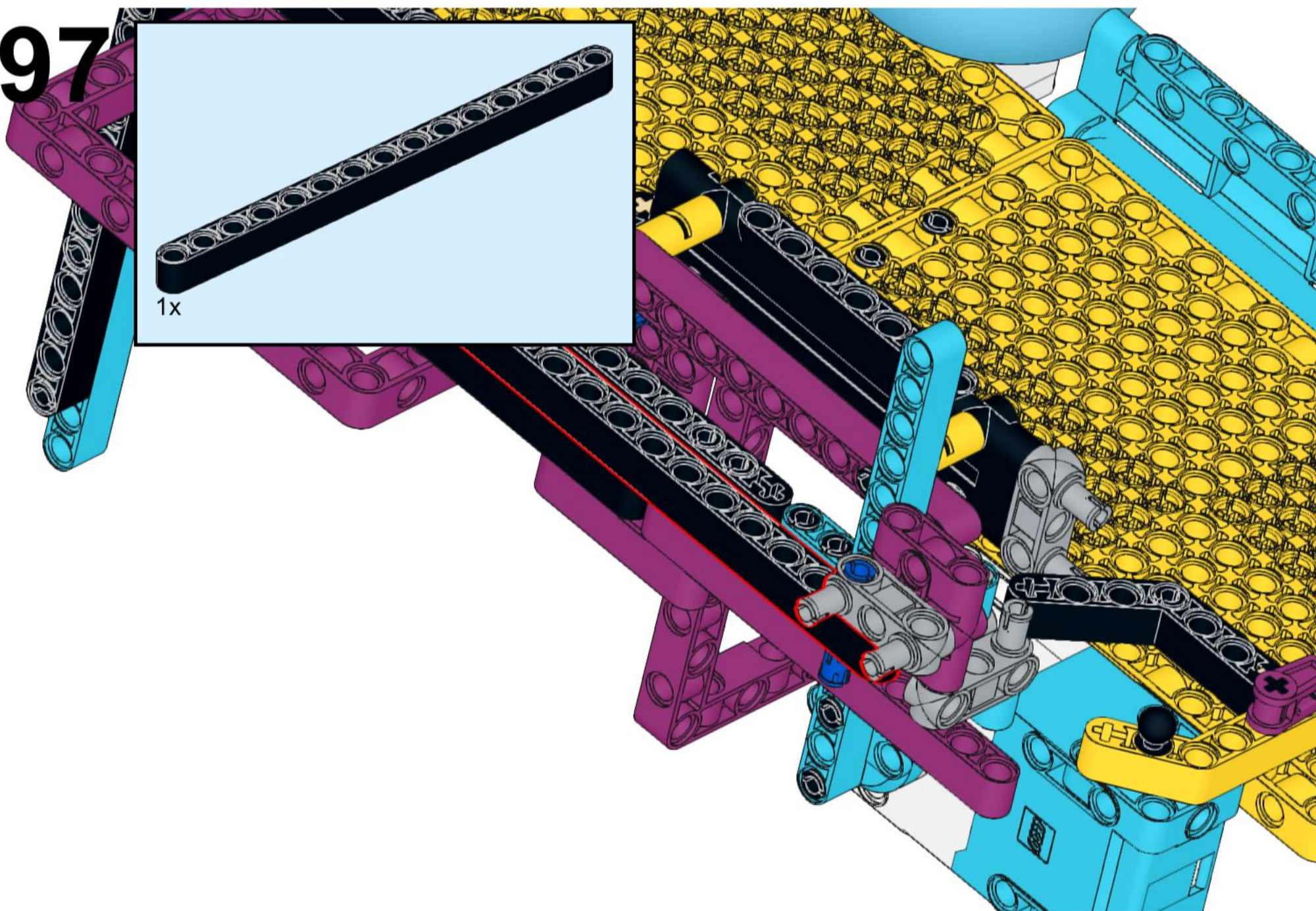
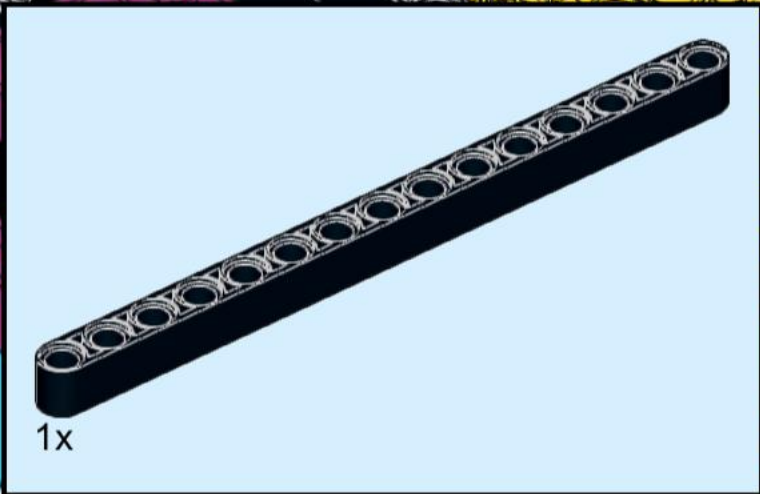
95



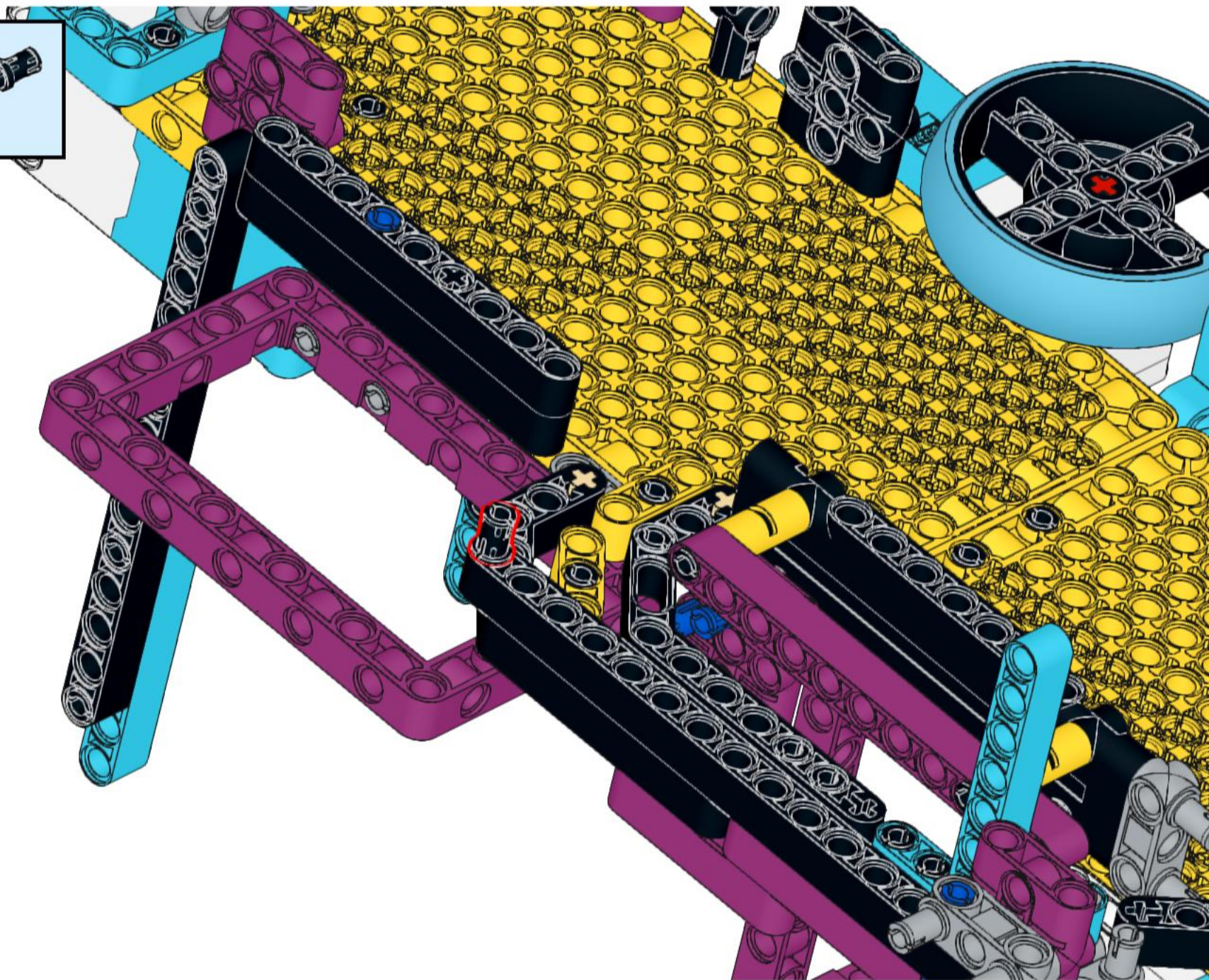
96



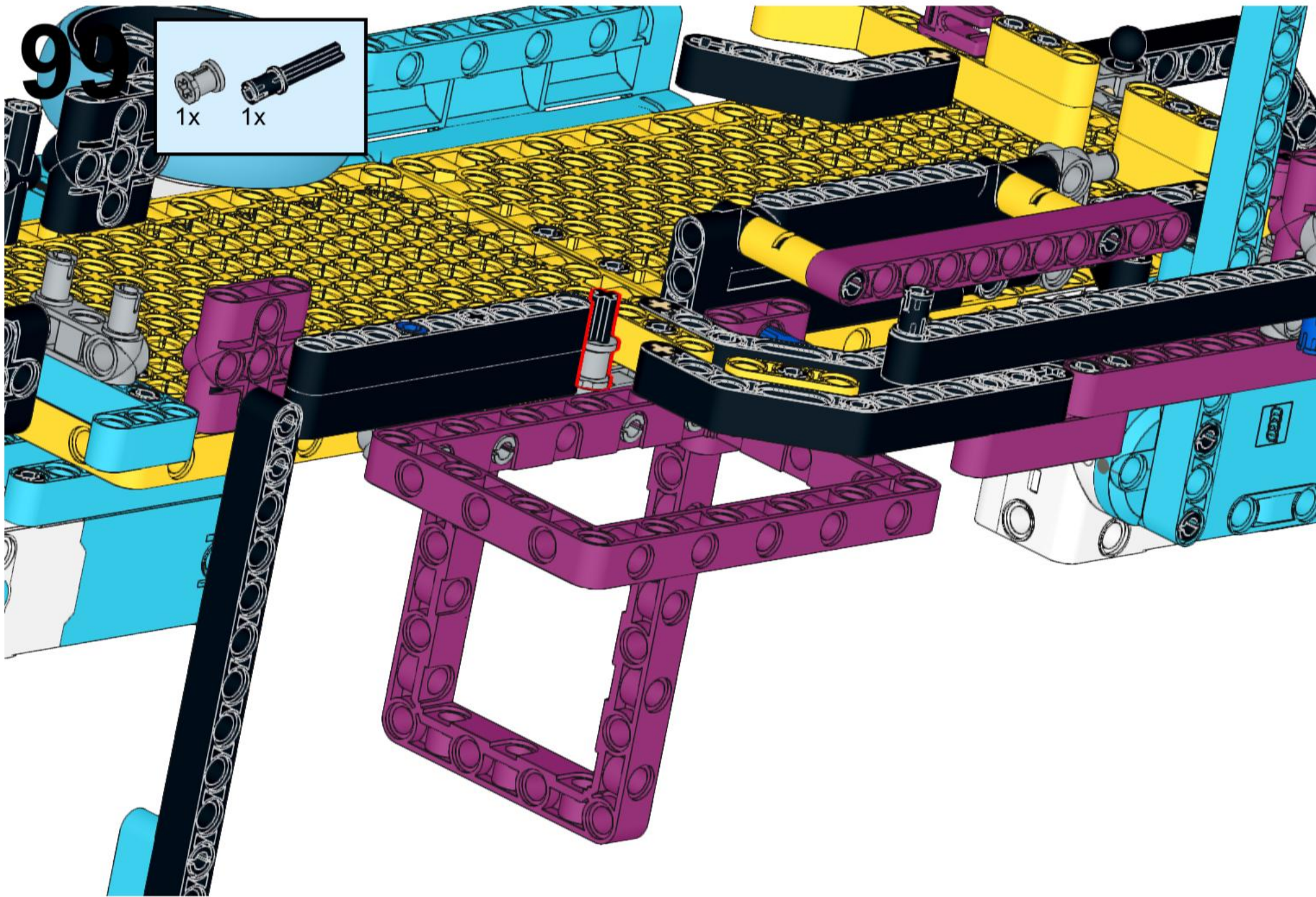
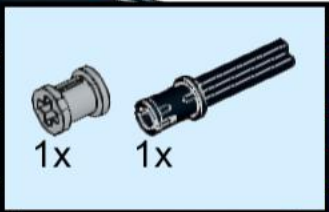
97



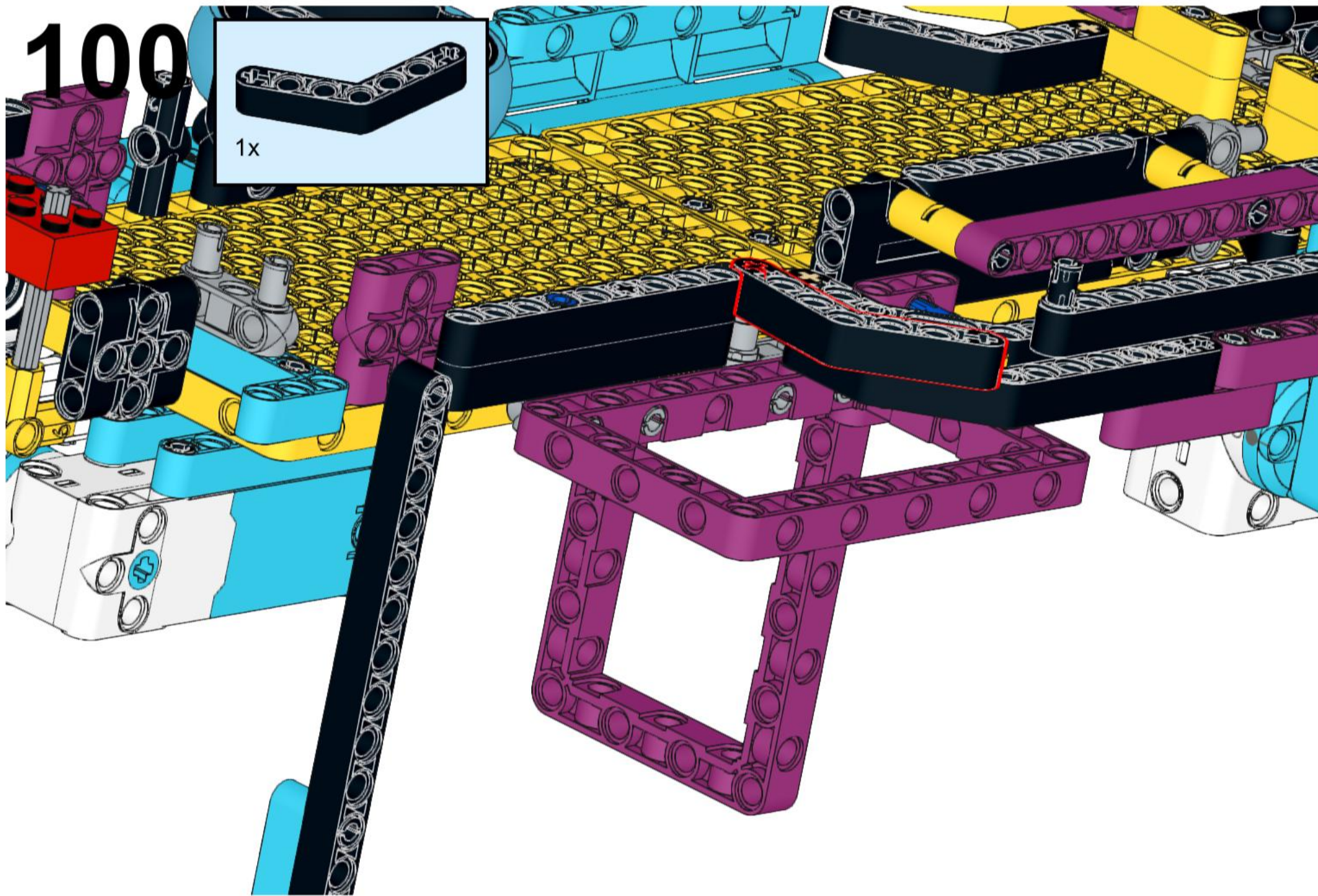
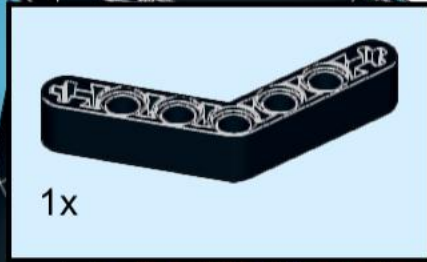
98



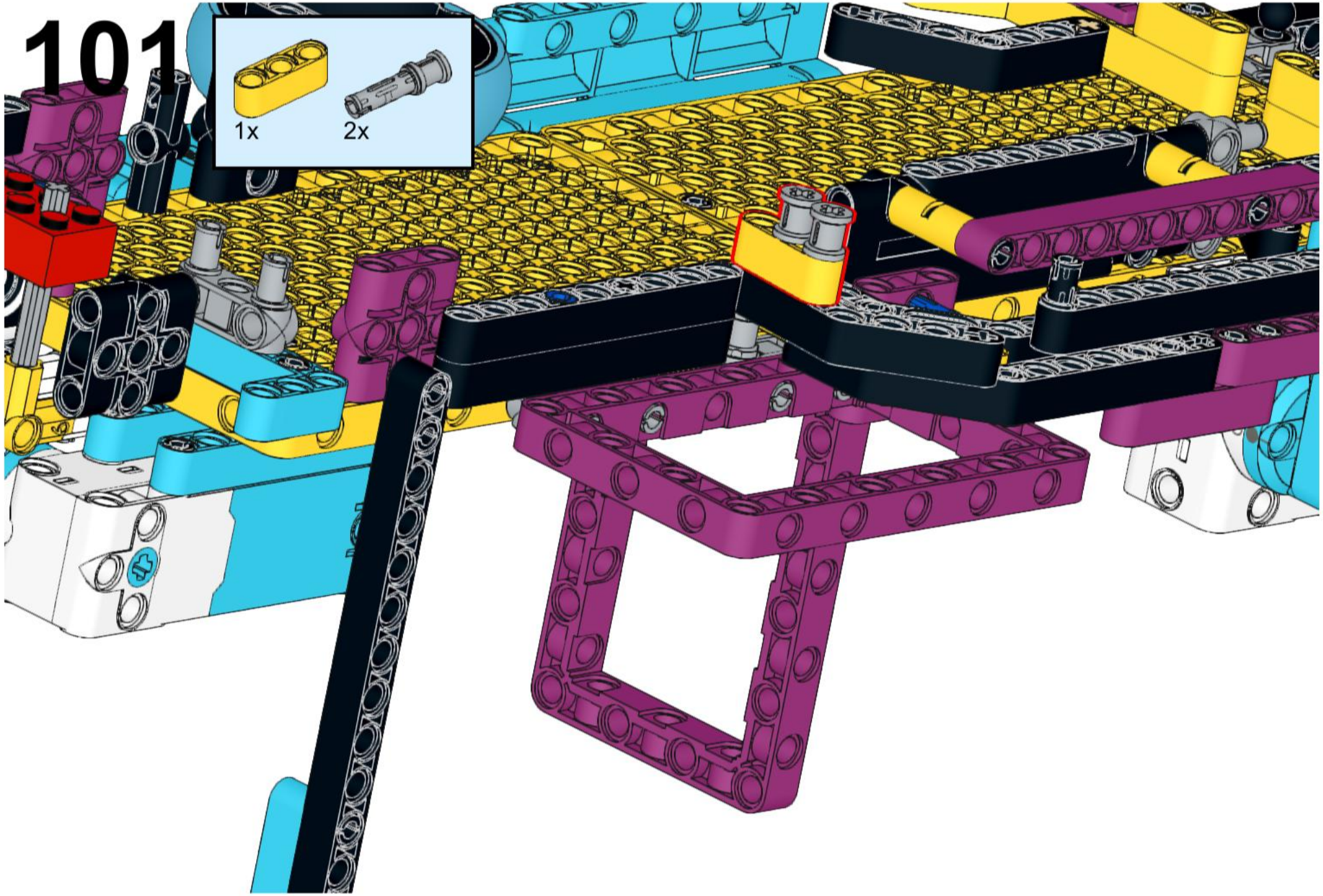
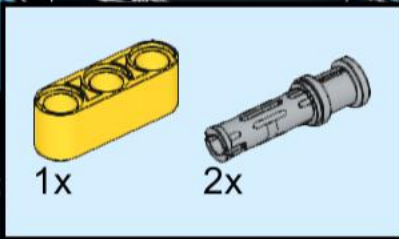
99



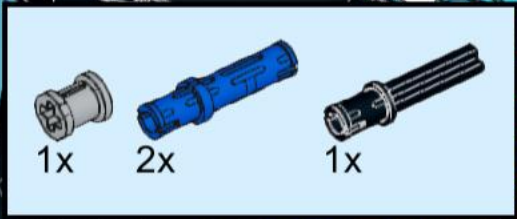
100



101

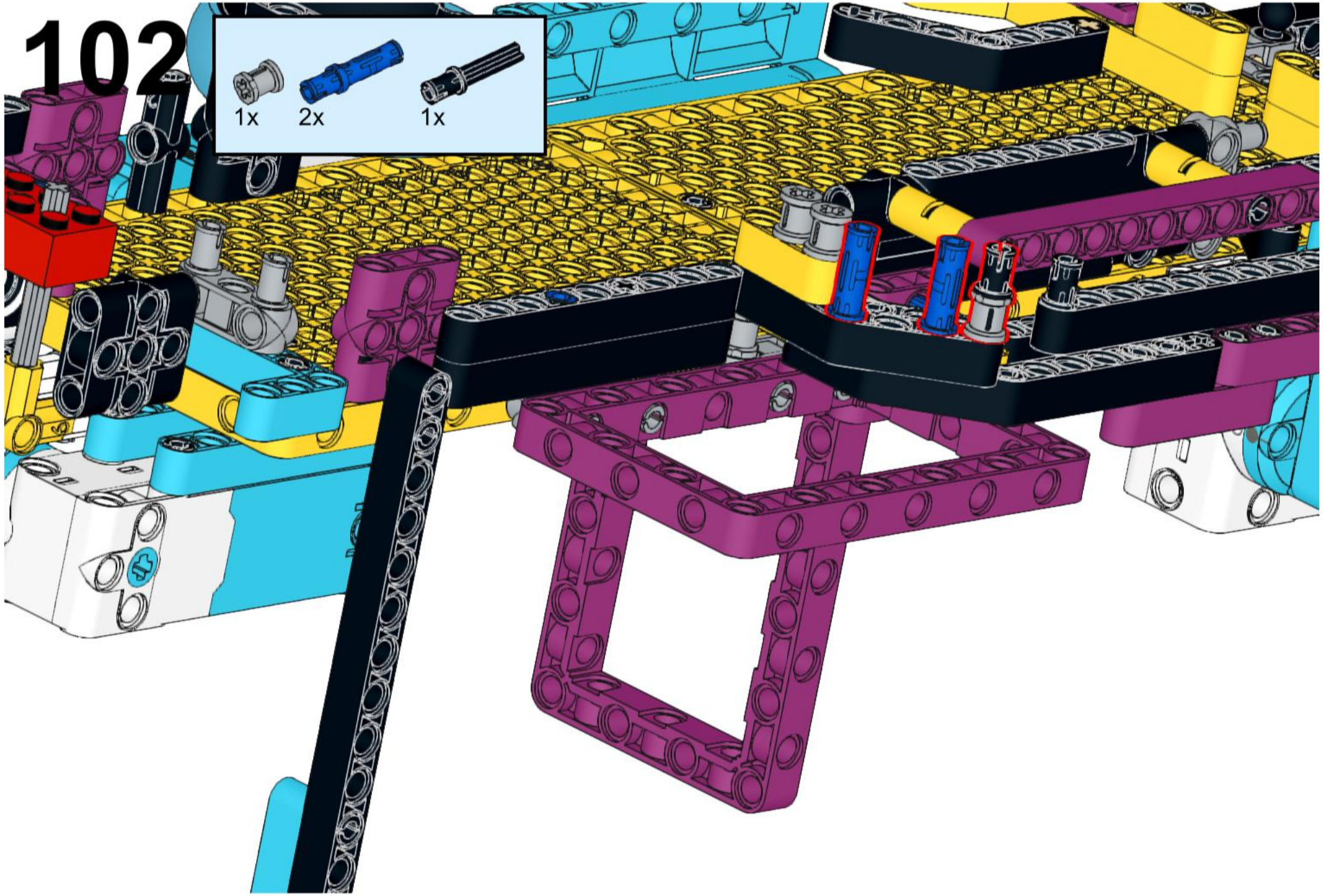


102

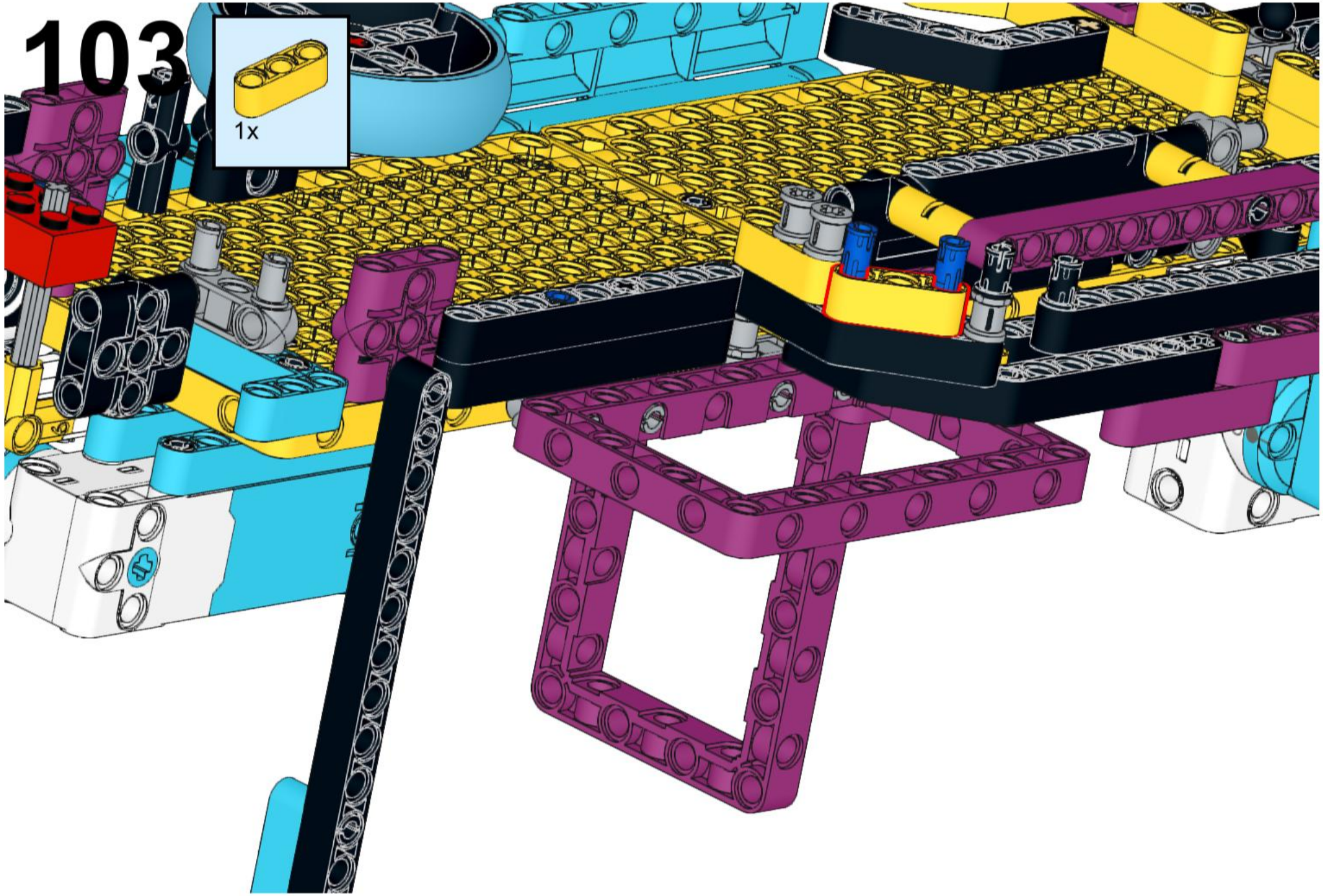
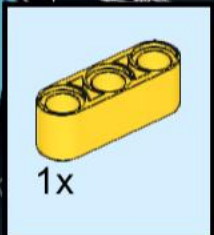


1x 2x 1x

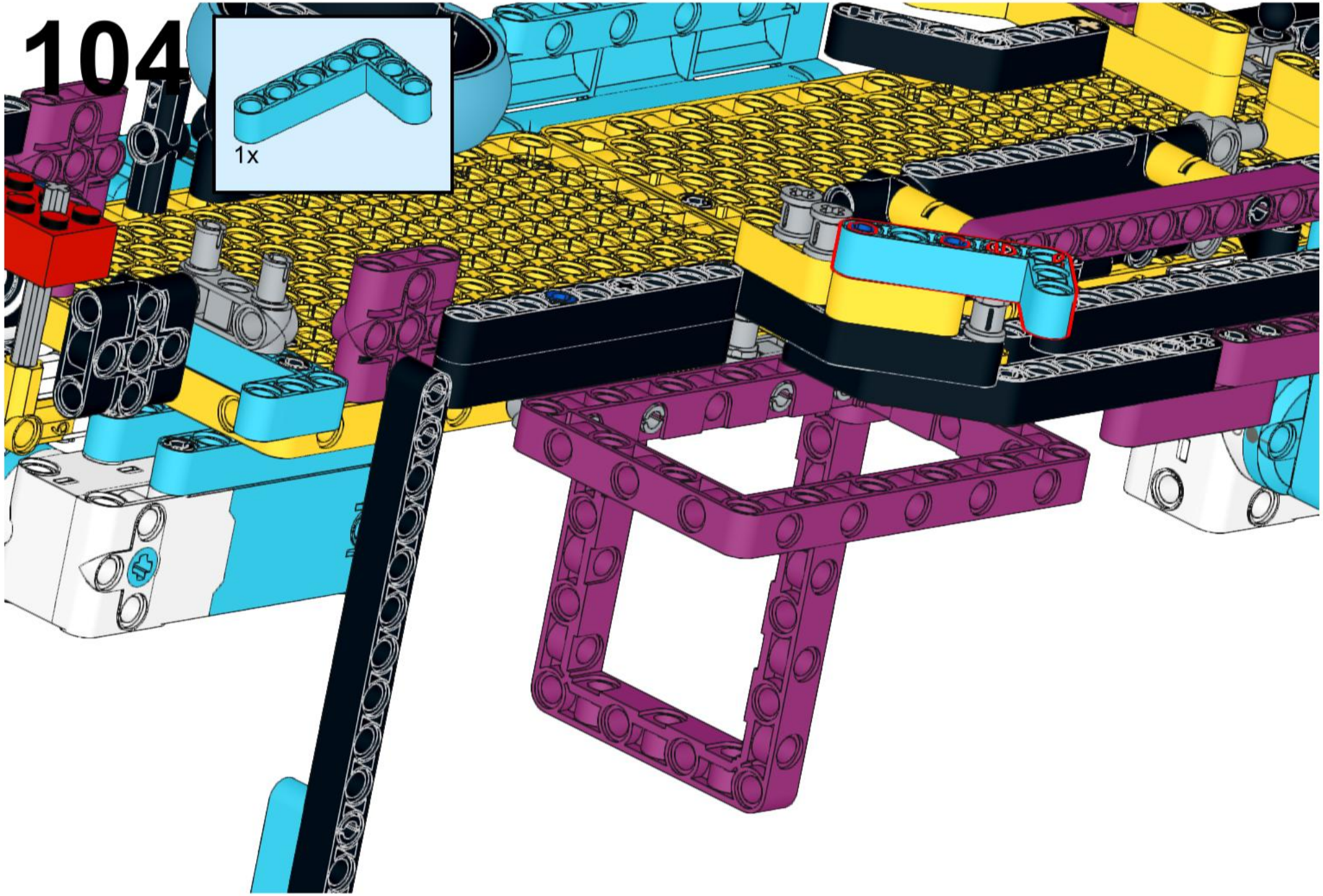
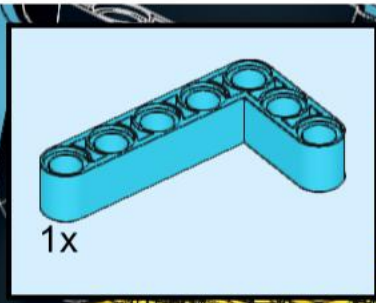
This inset box lists the required parts for step 102: one grey axle pin, two blue pins, and one black axle pin. The quantities are indicated by the numbers '1x', '2x', and '1x' respectively.



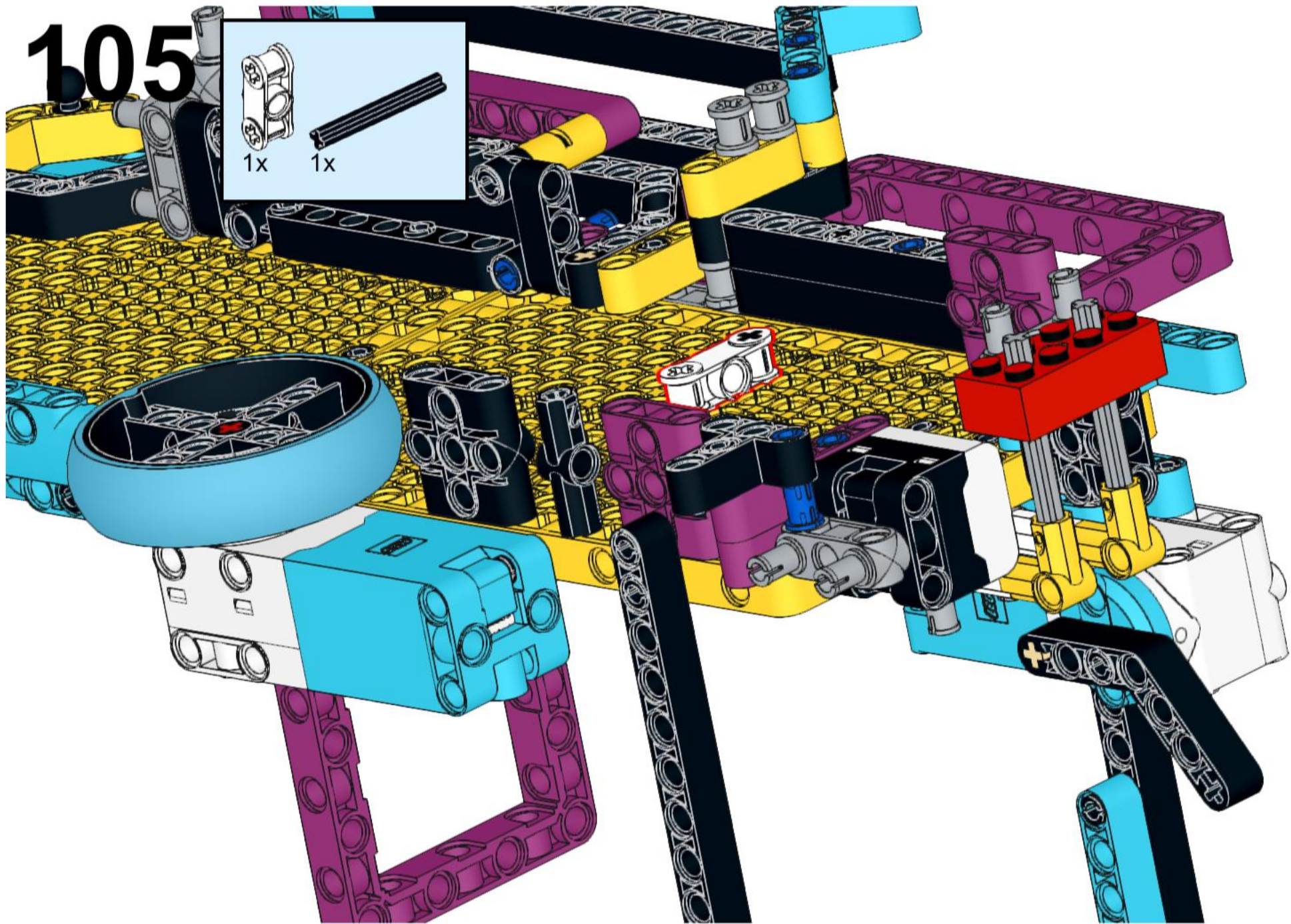
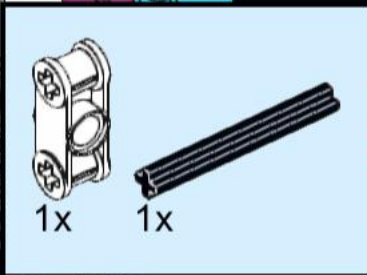
103



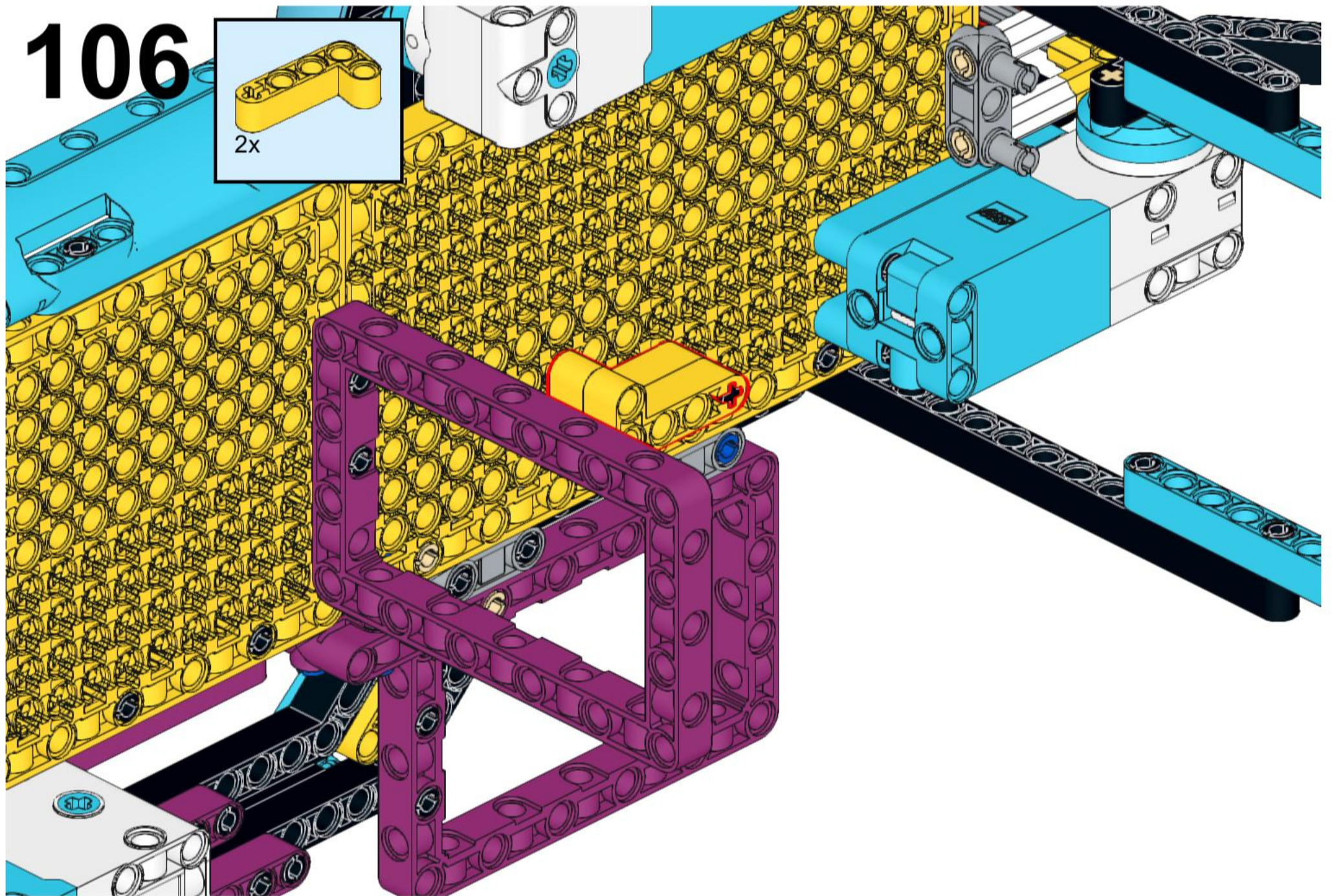
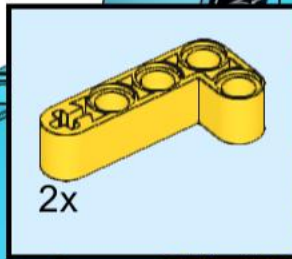
104



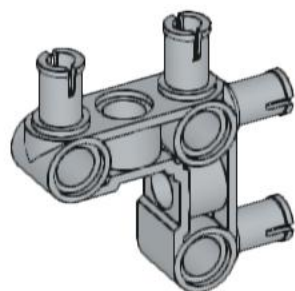
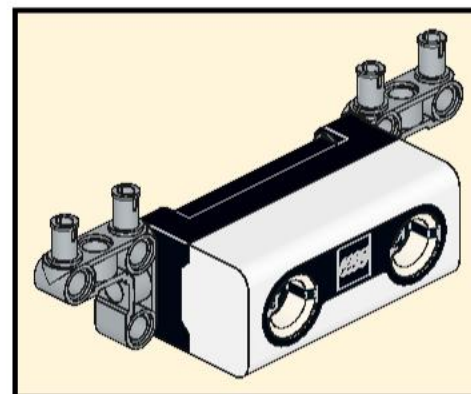
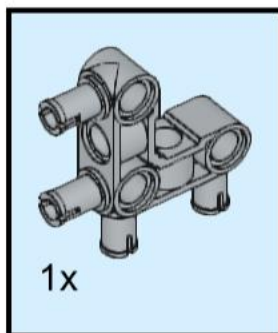
105



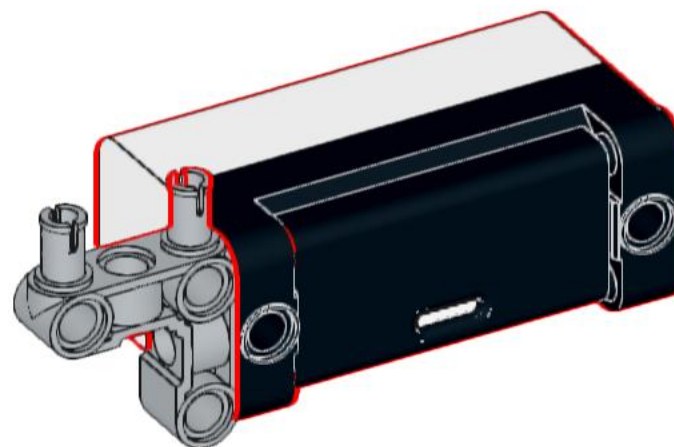
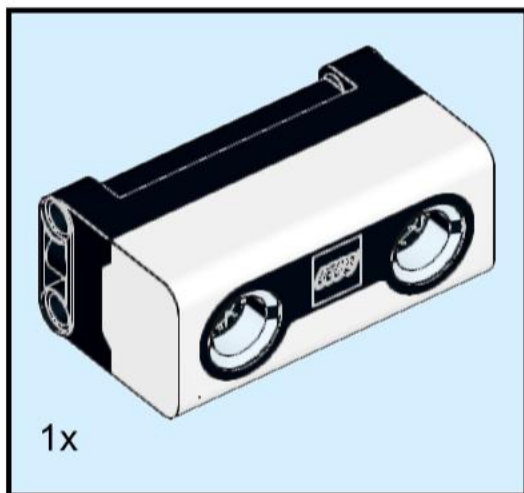
106



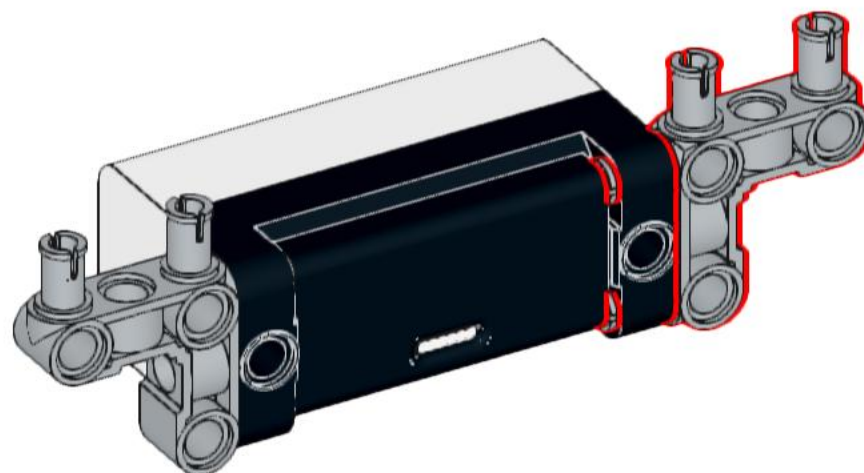
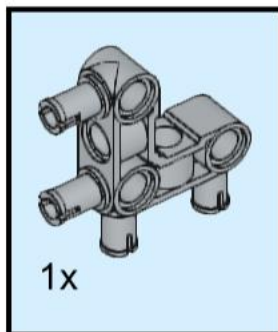
107

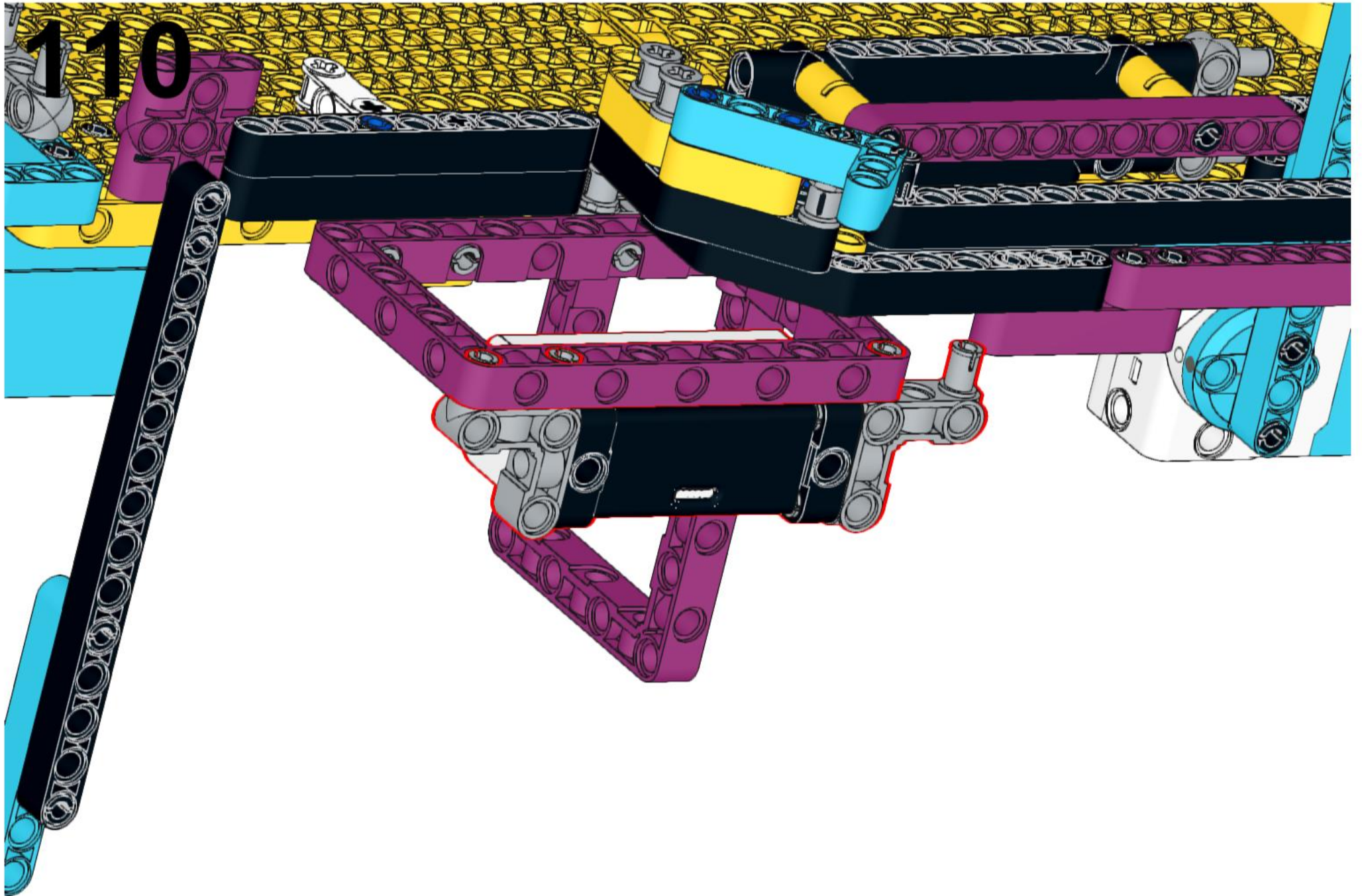


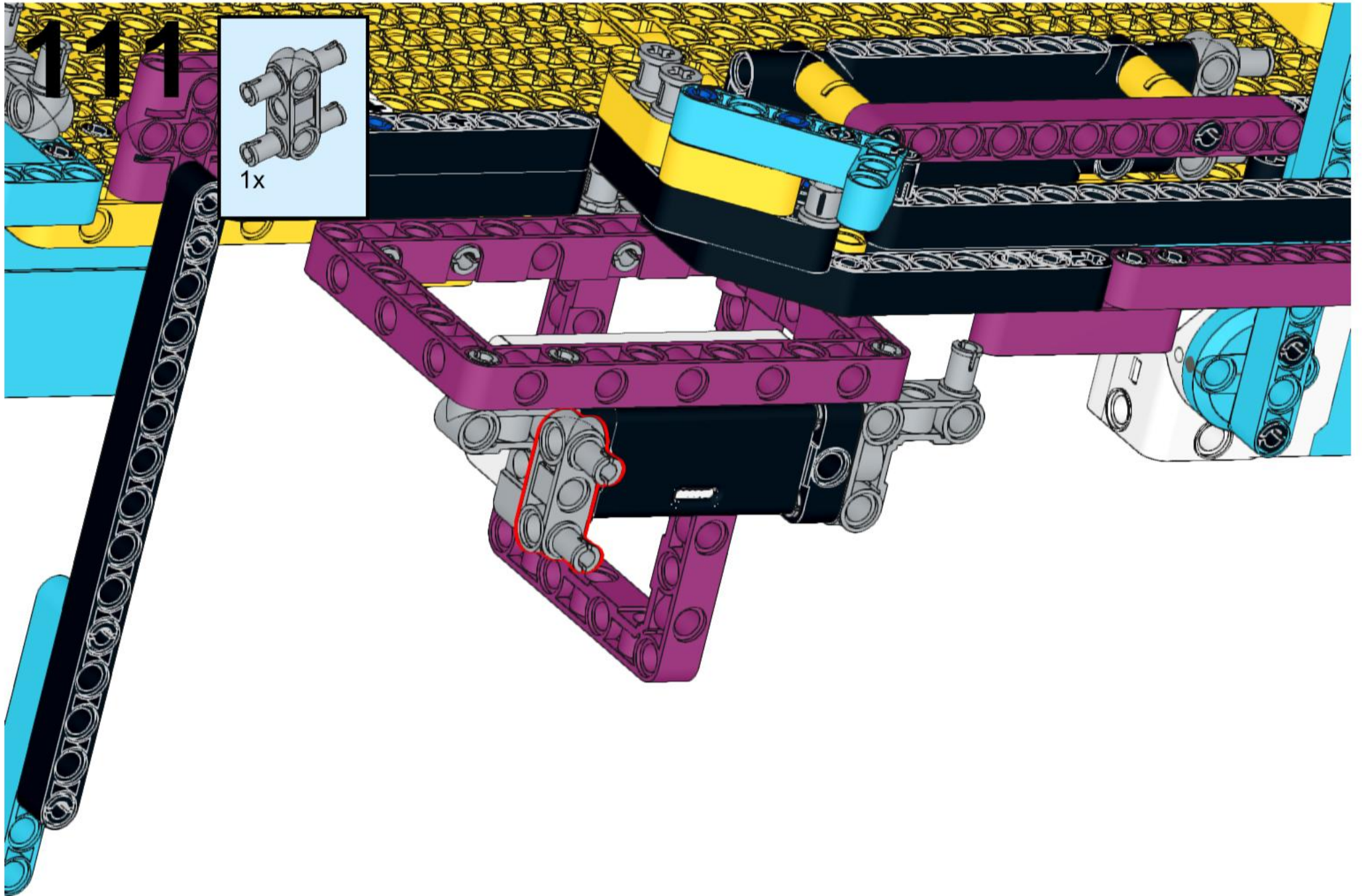
108



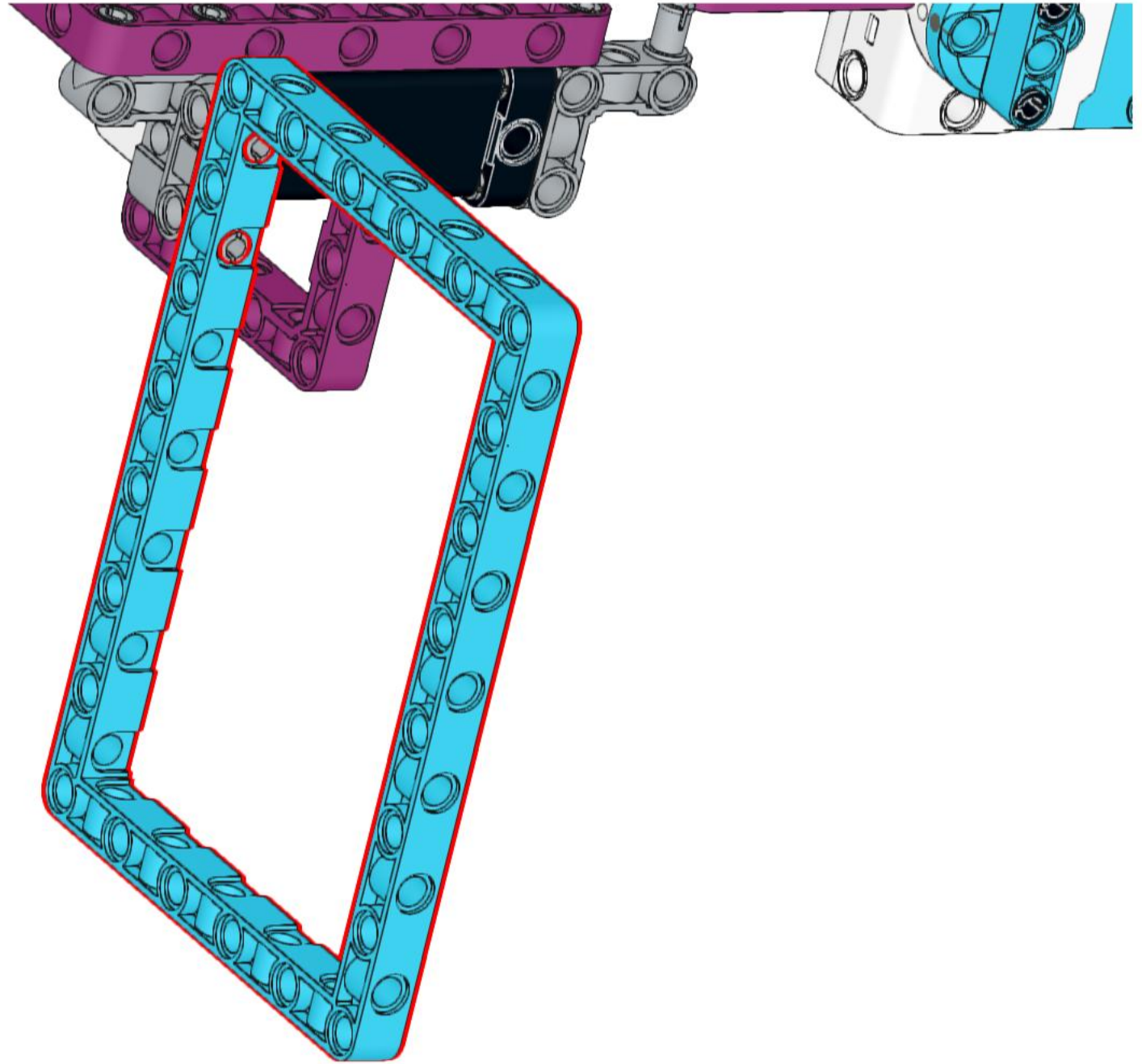
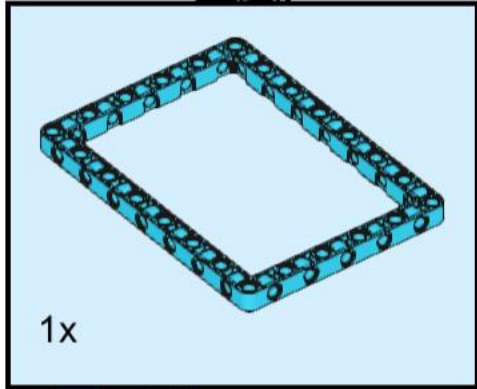
109







112

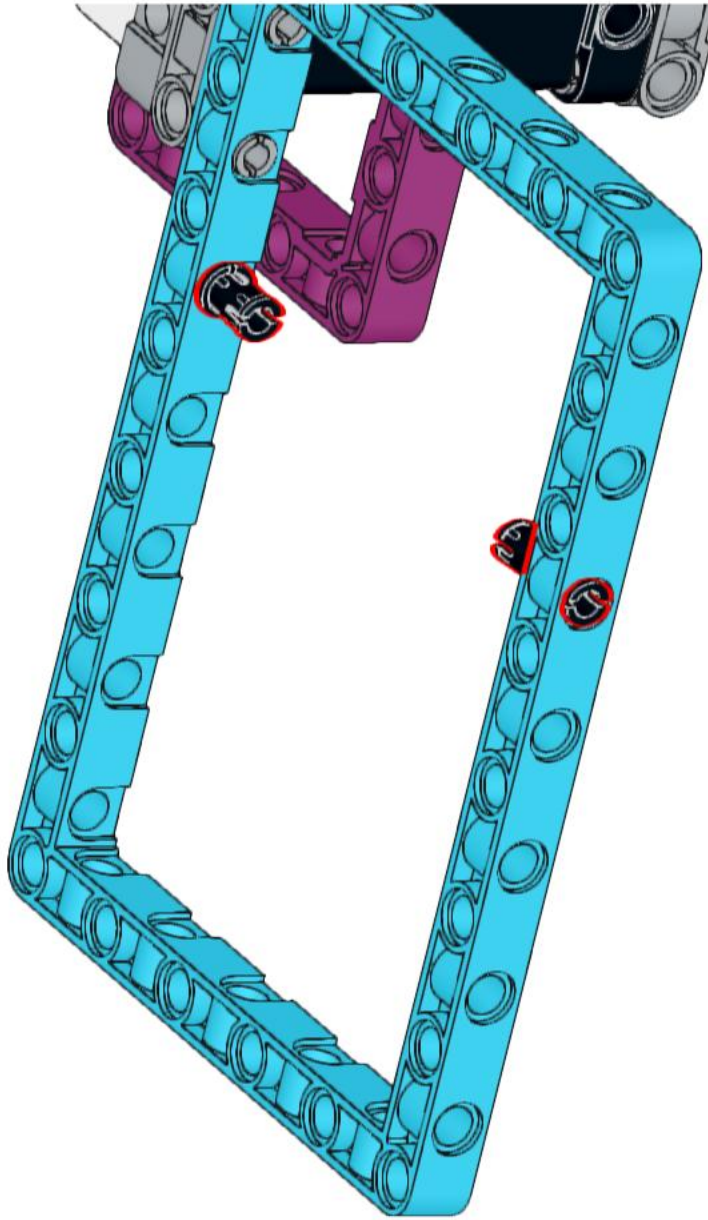




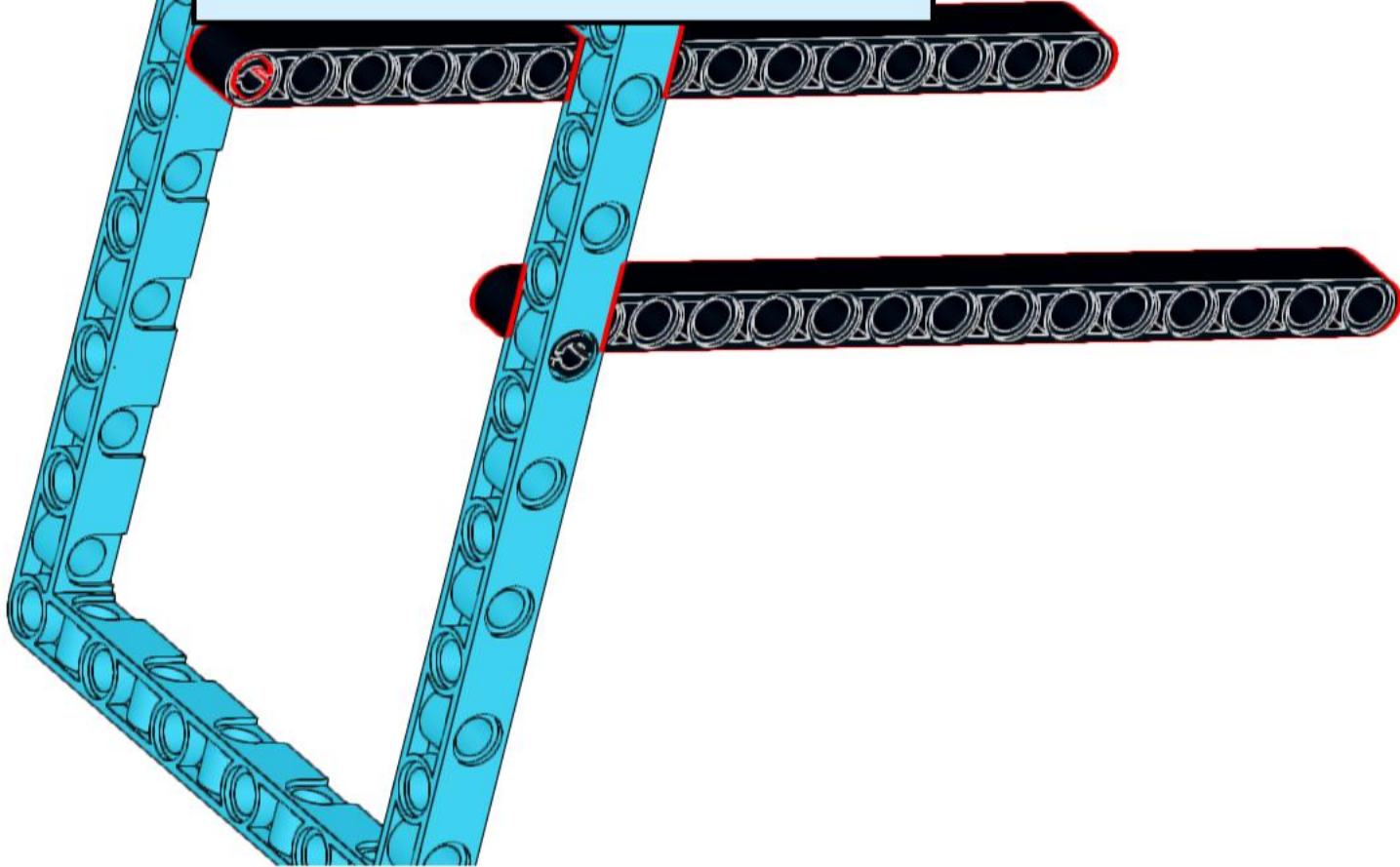
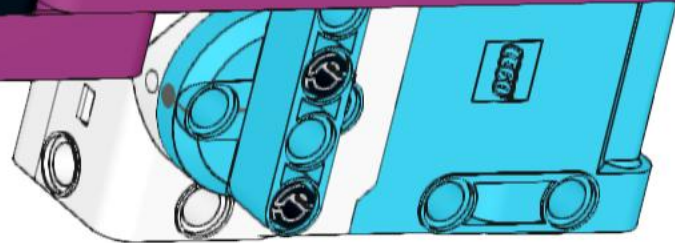
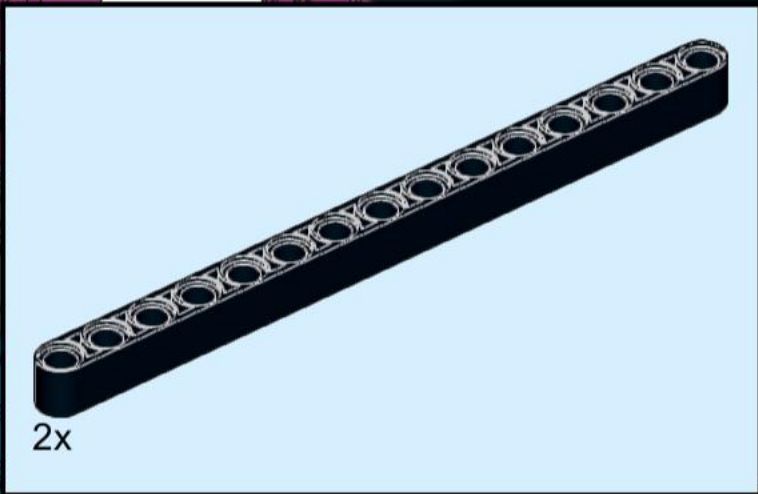
13



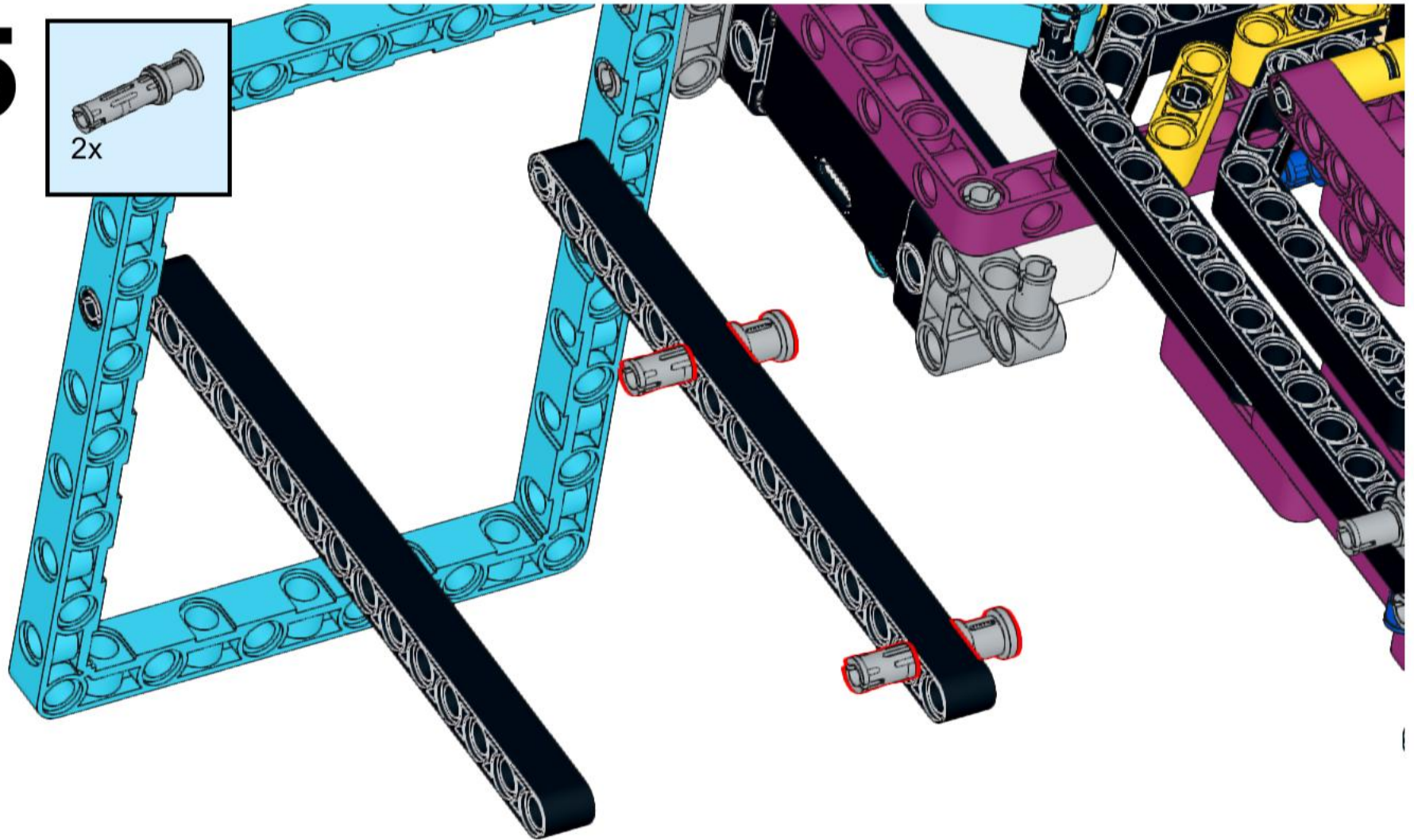
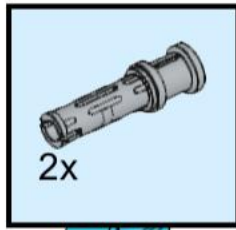
2x



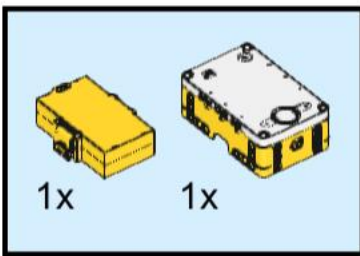
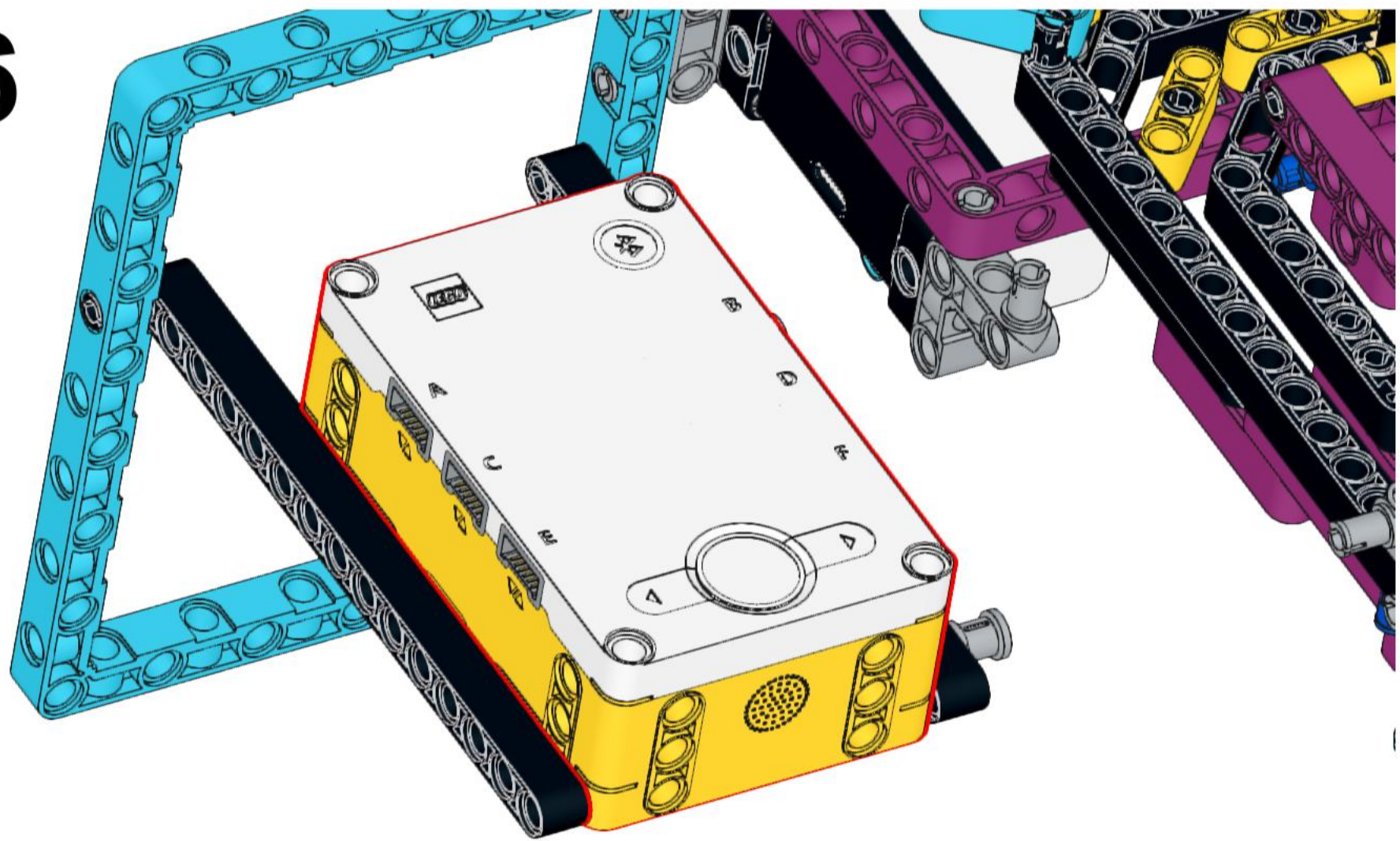
114



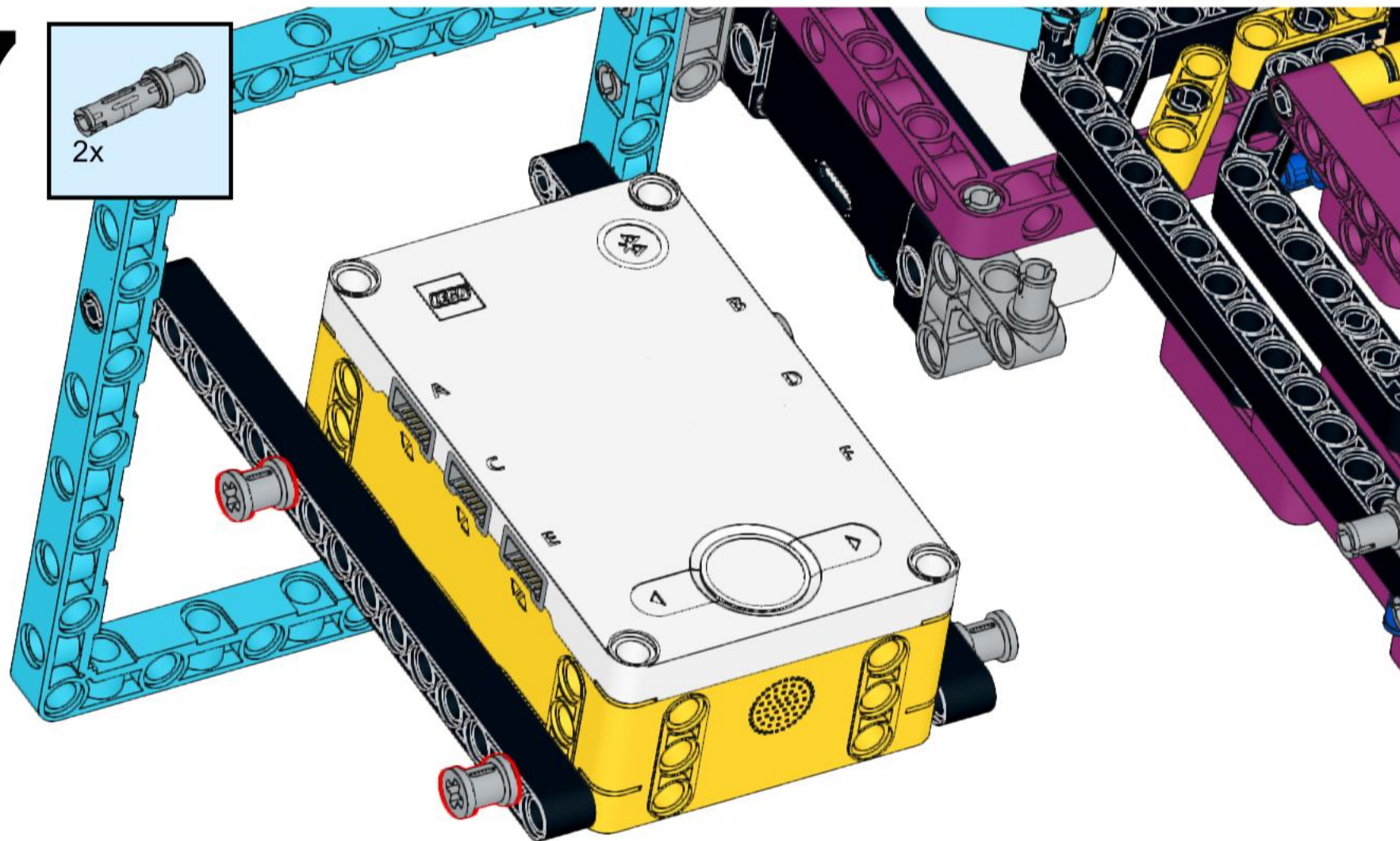
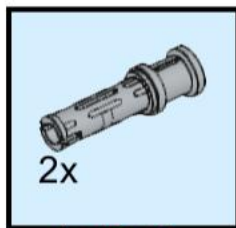
115



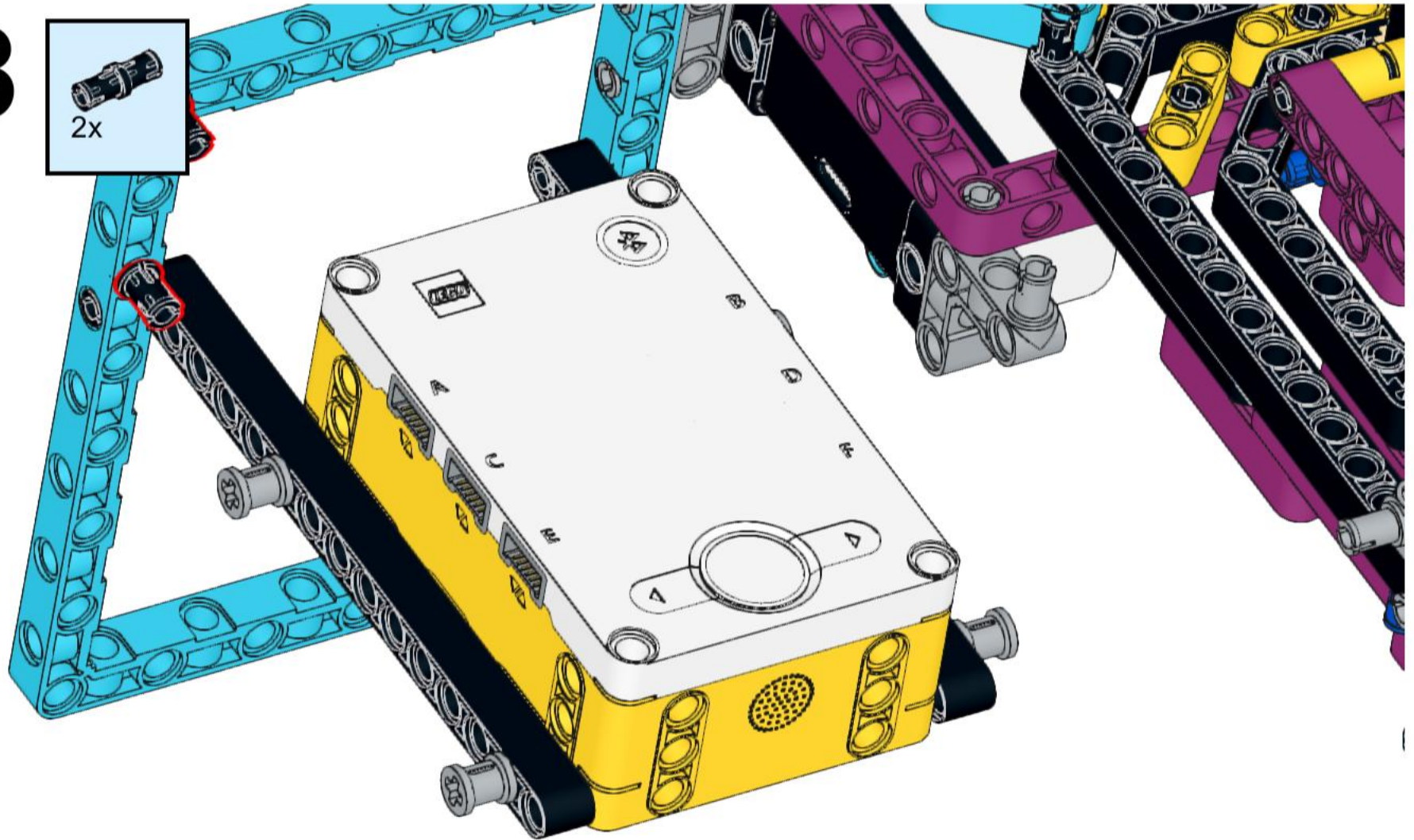
116



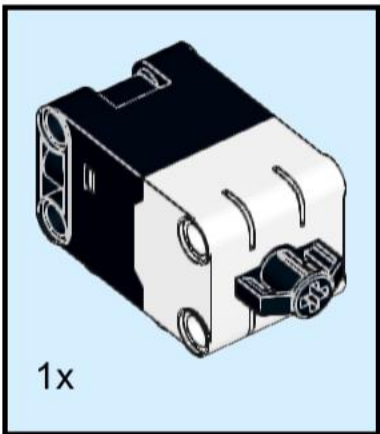
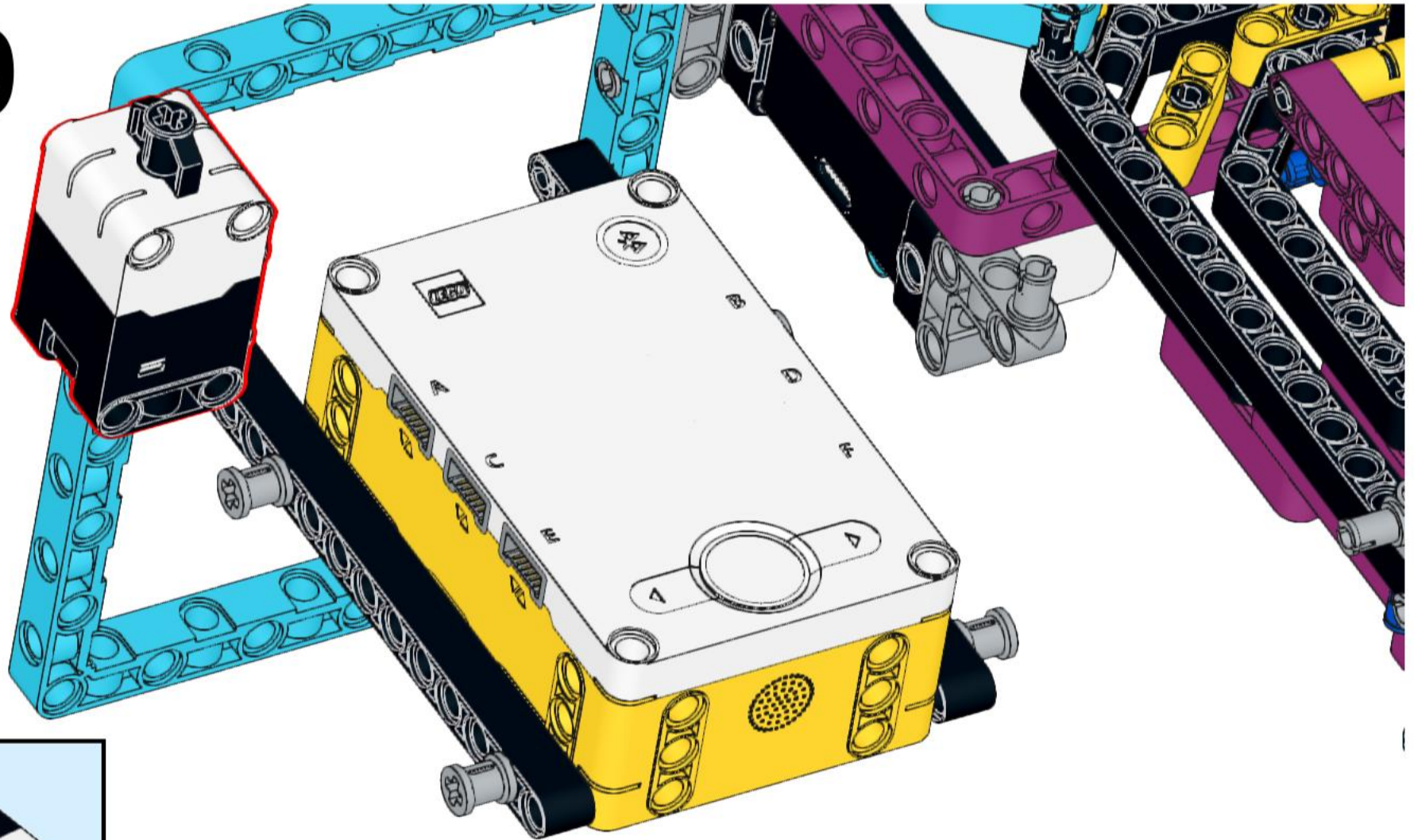
117



118

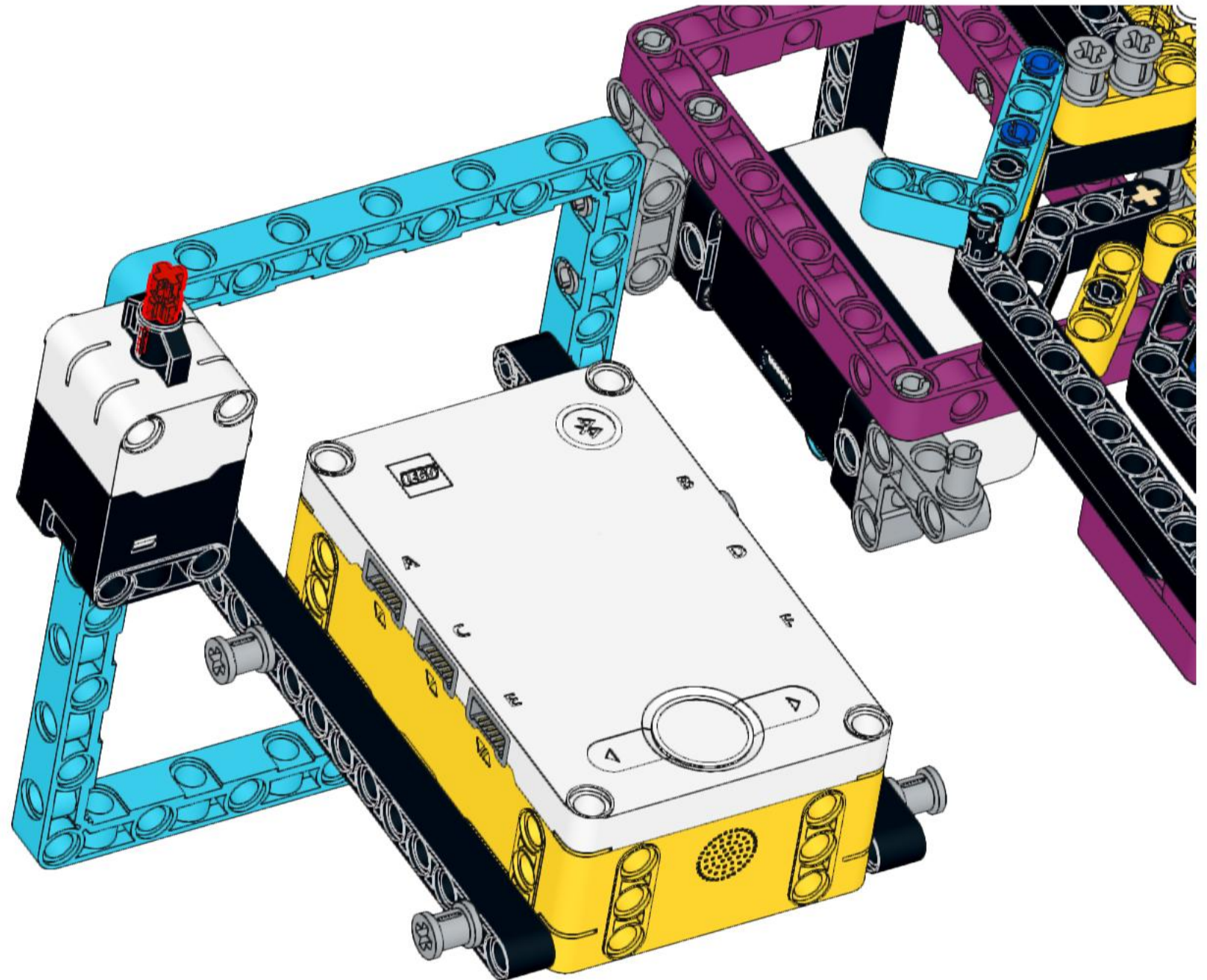
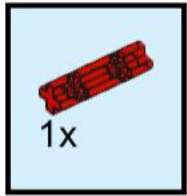


119

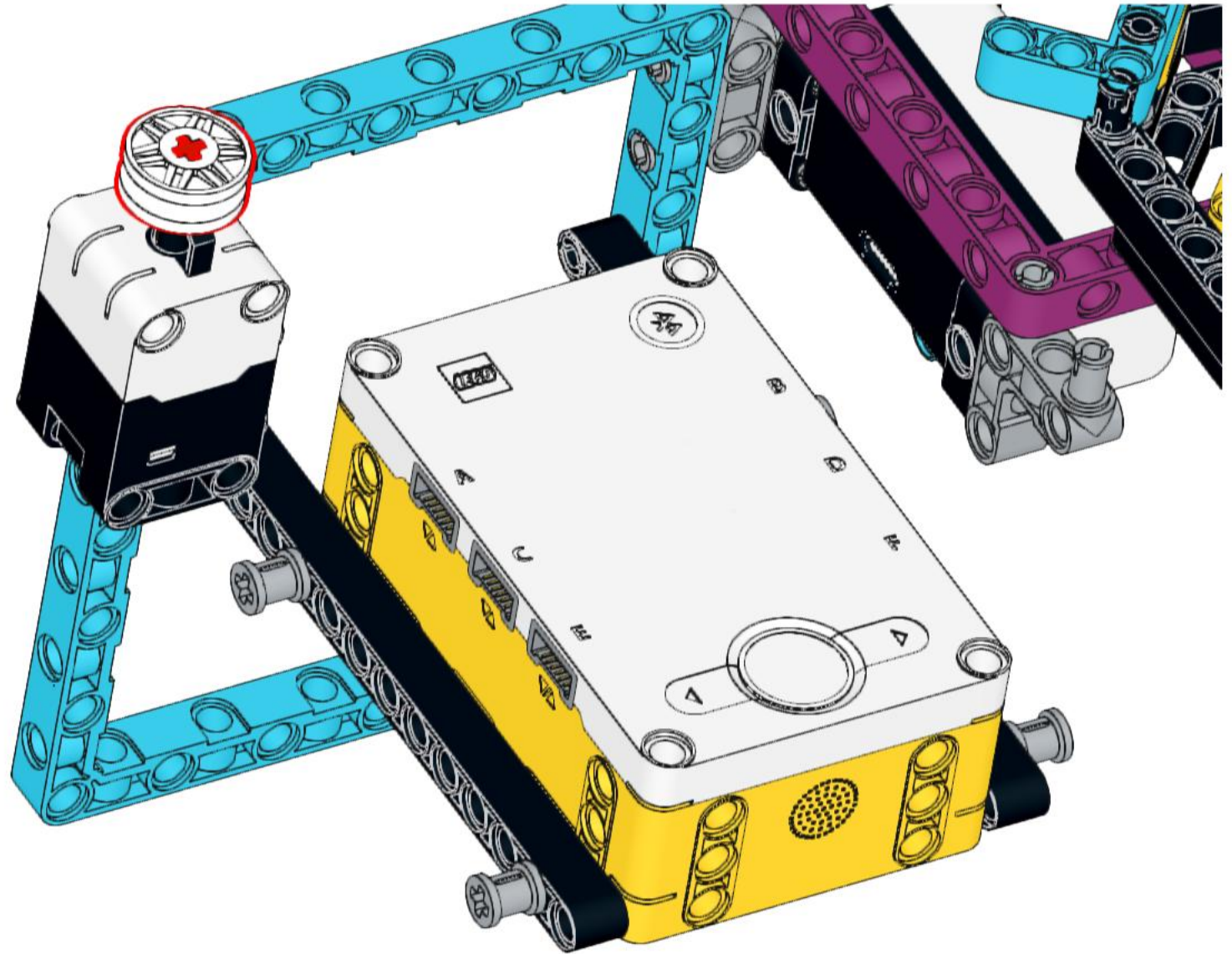
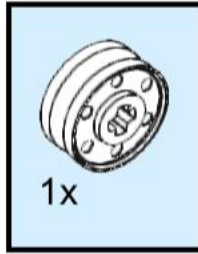


1x

120



121



122

