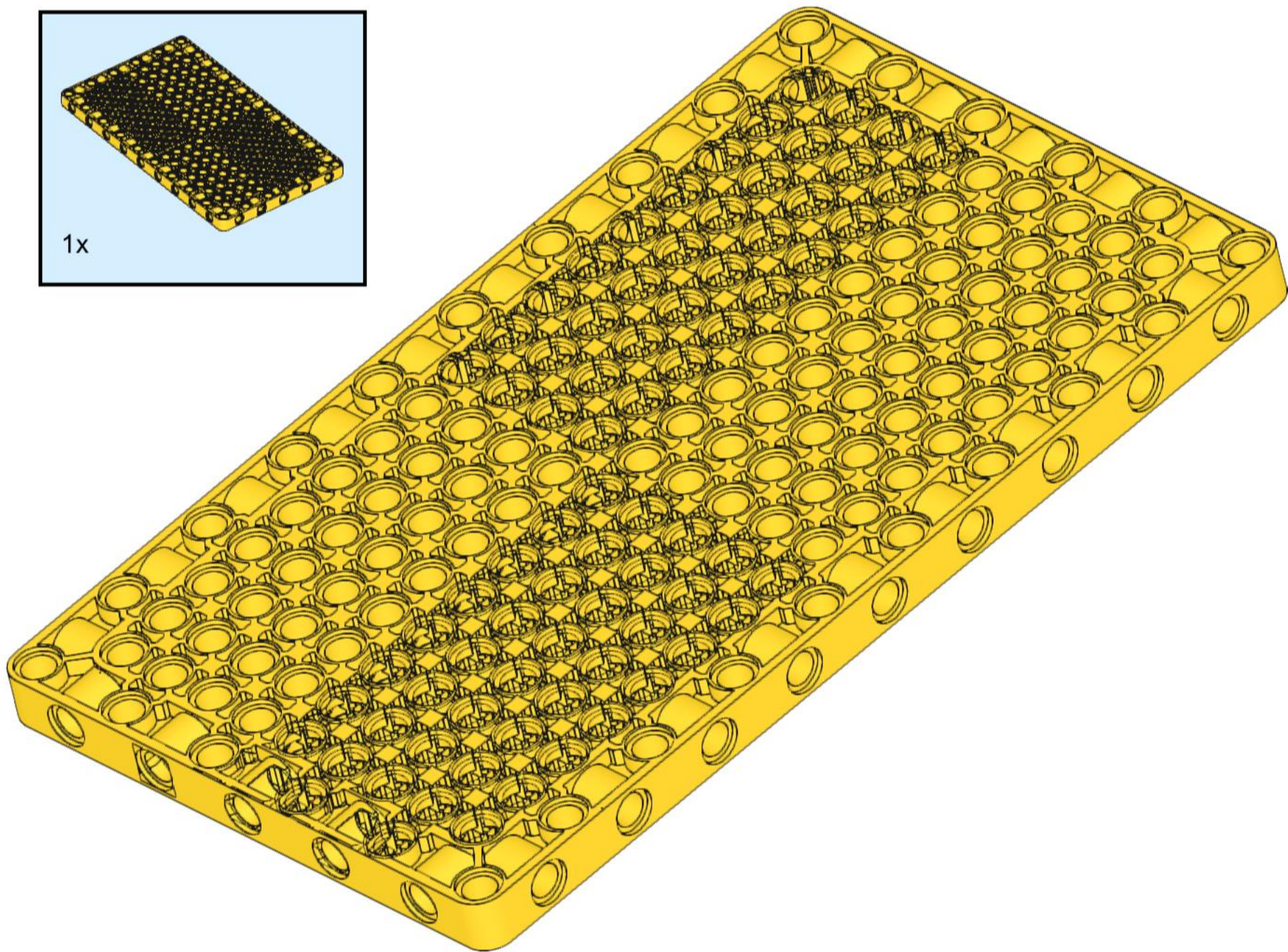
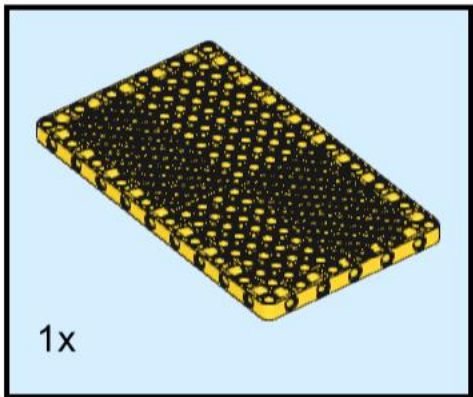
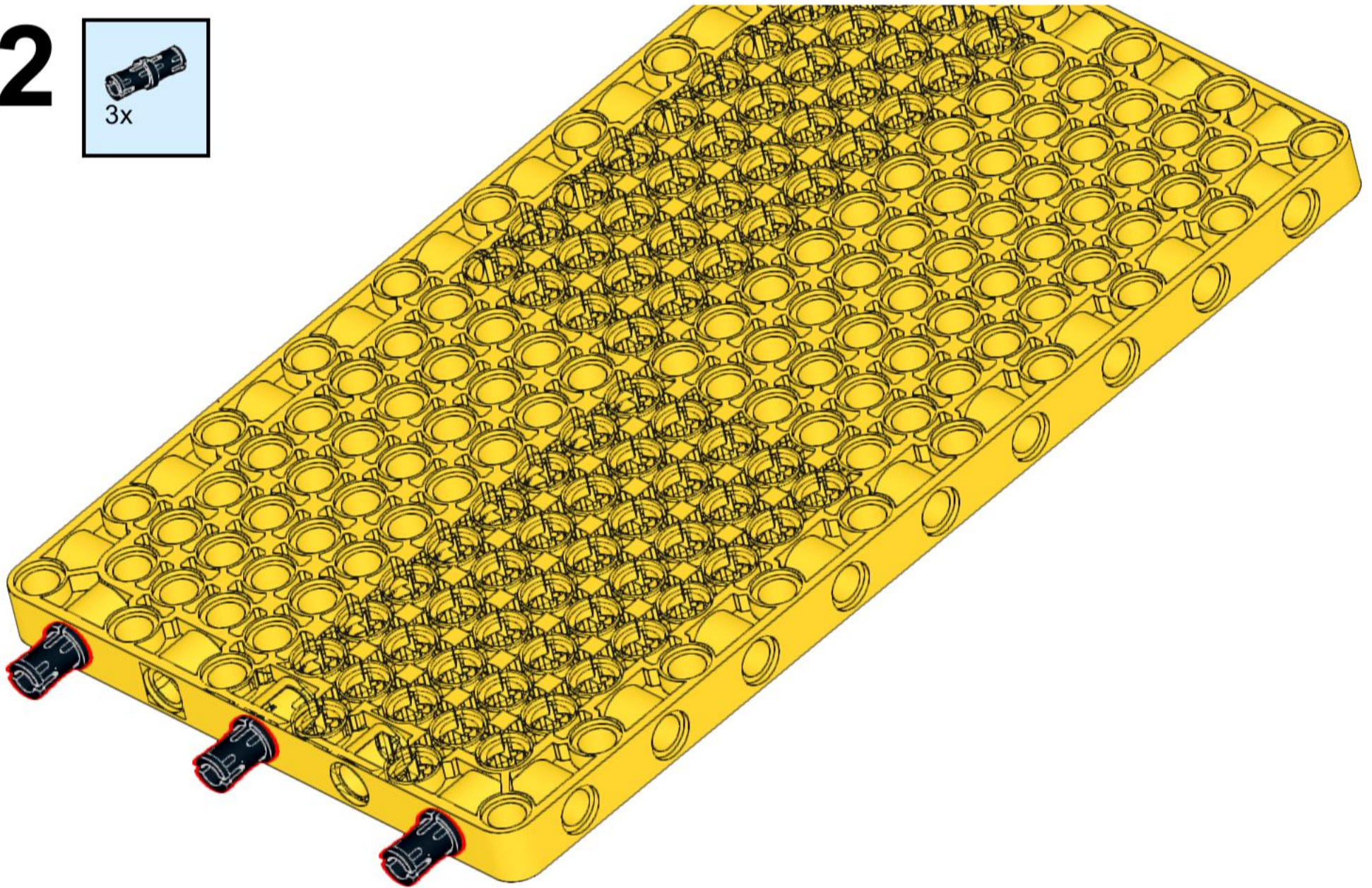


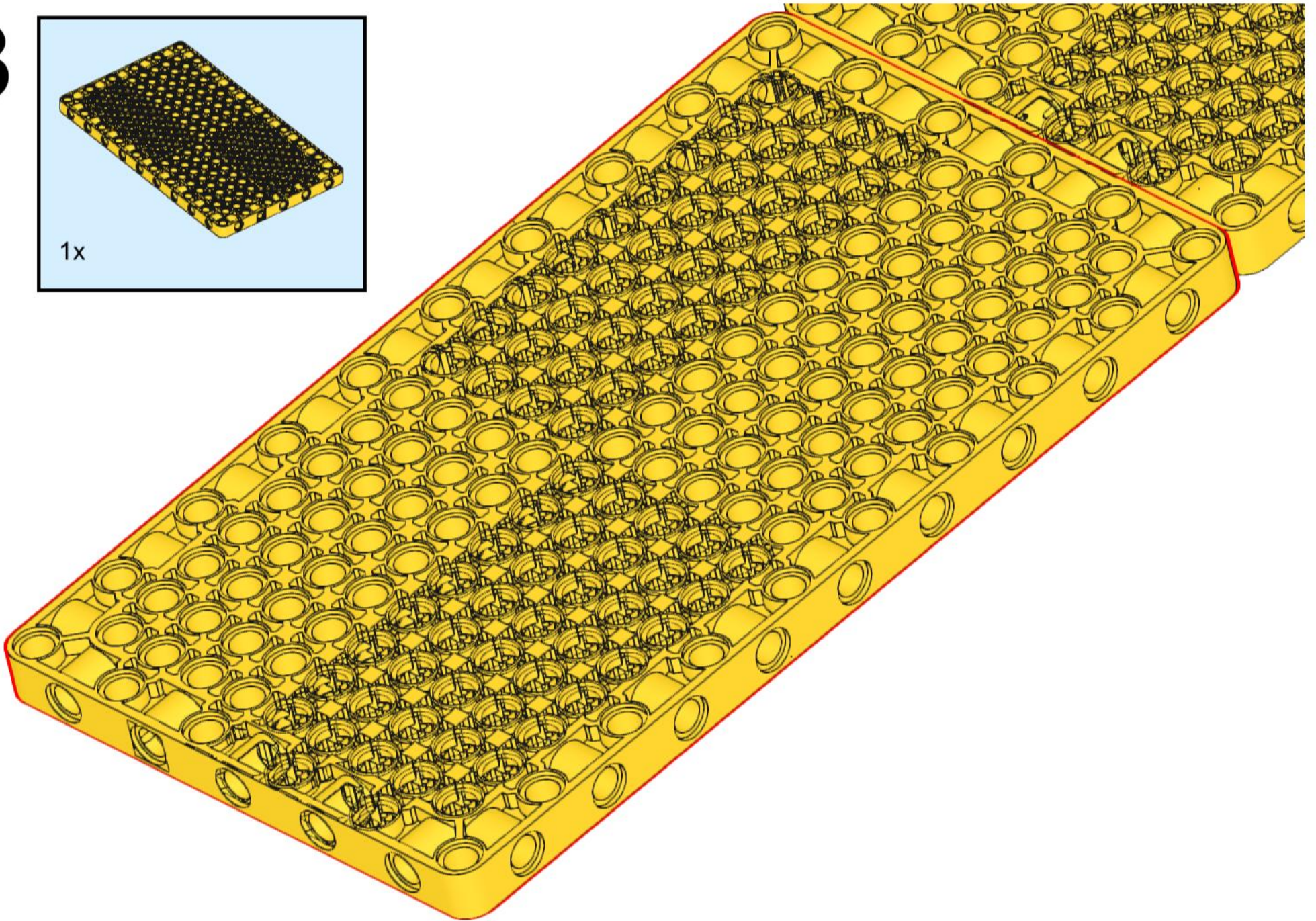
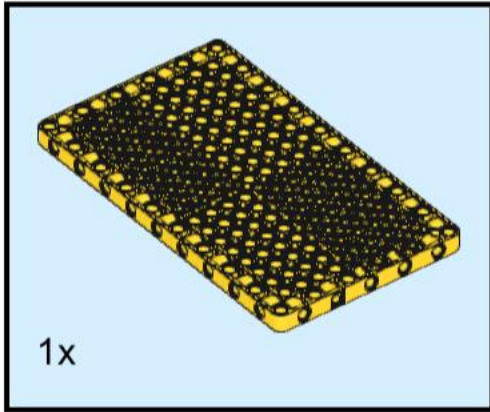
1



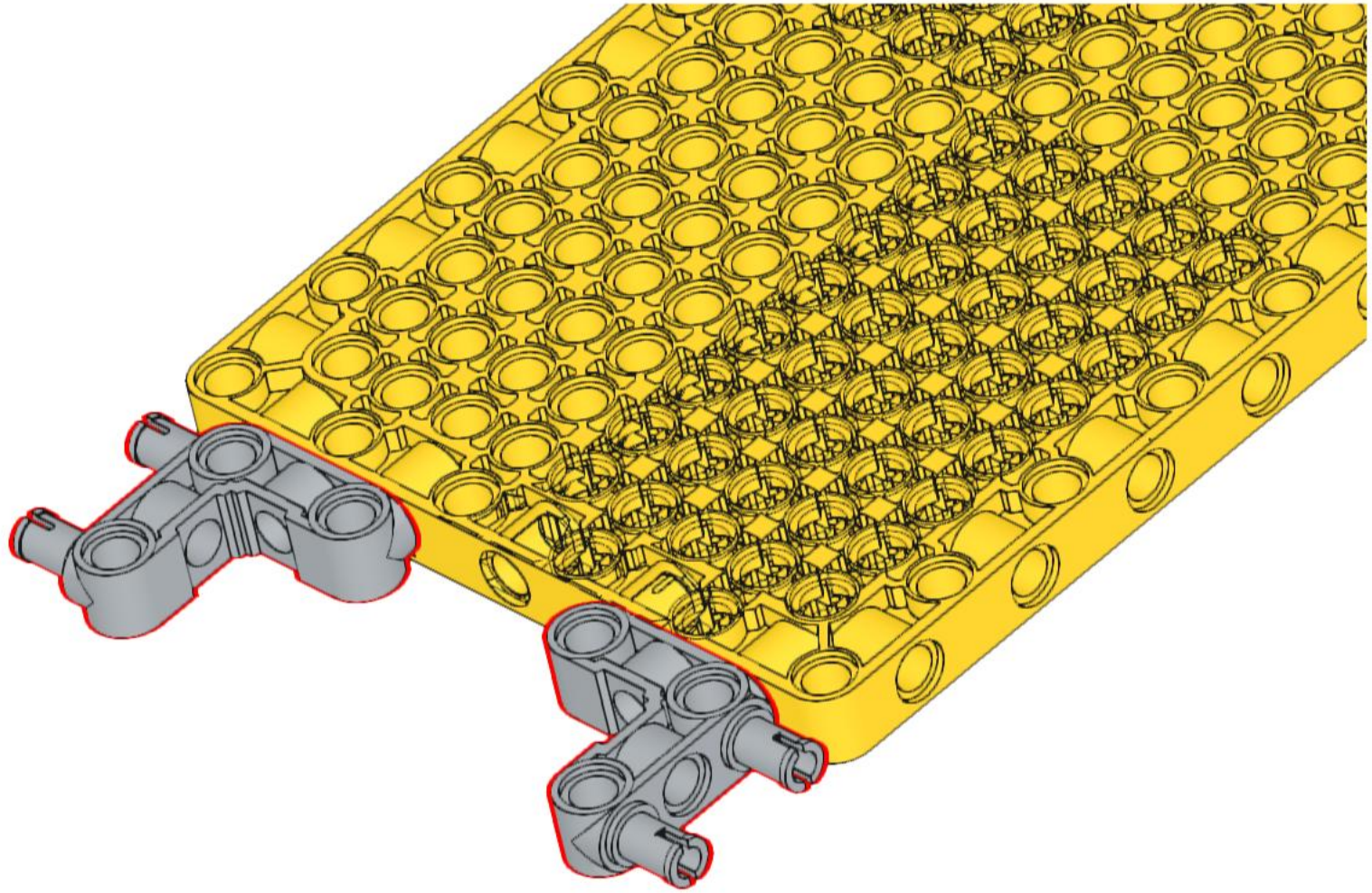
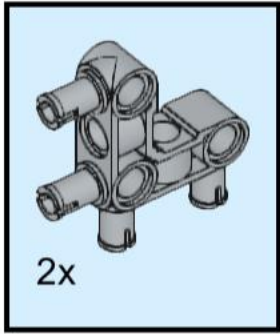
2



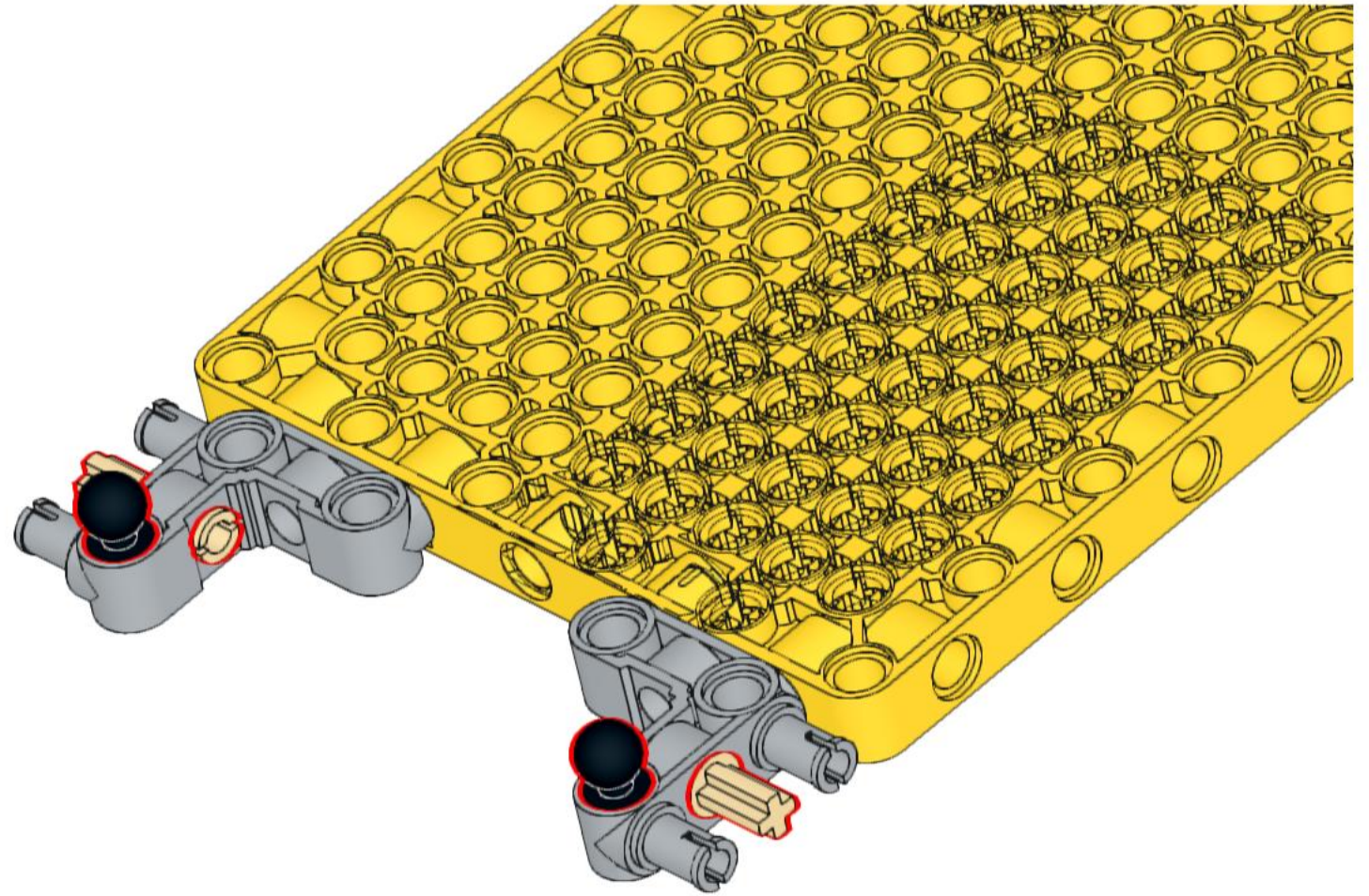
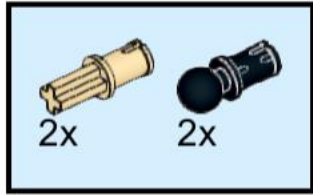
3



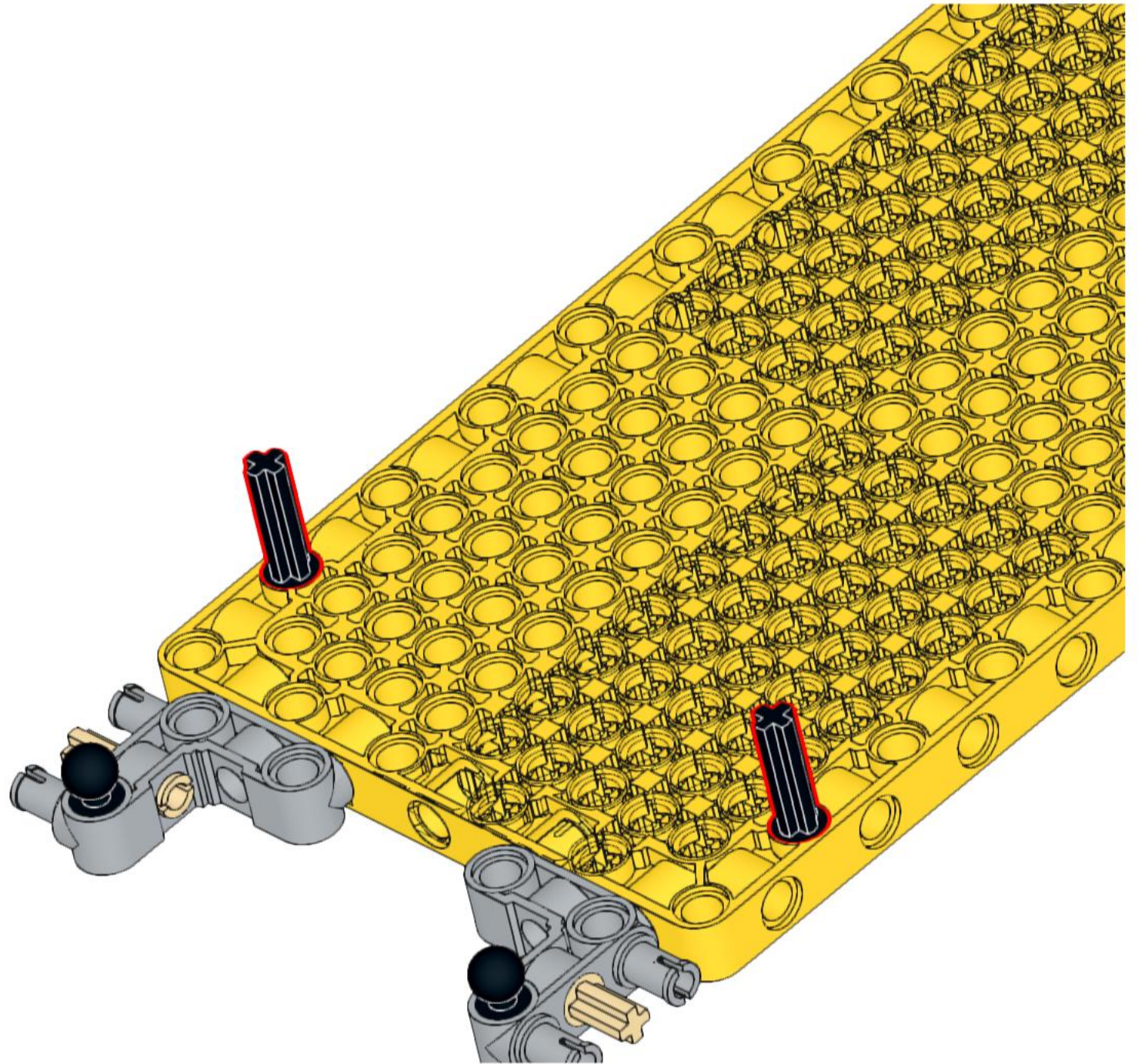
4



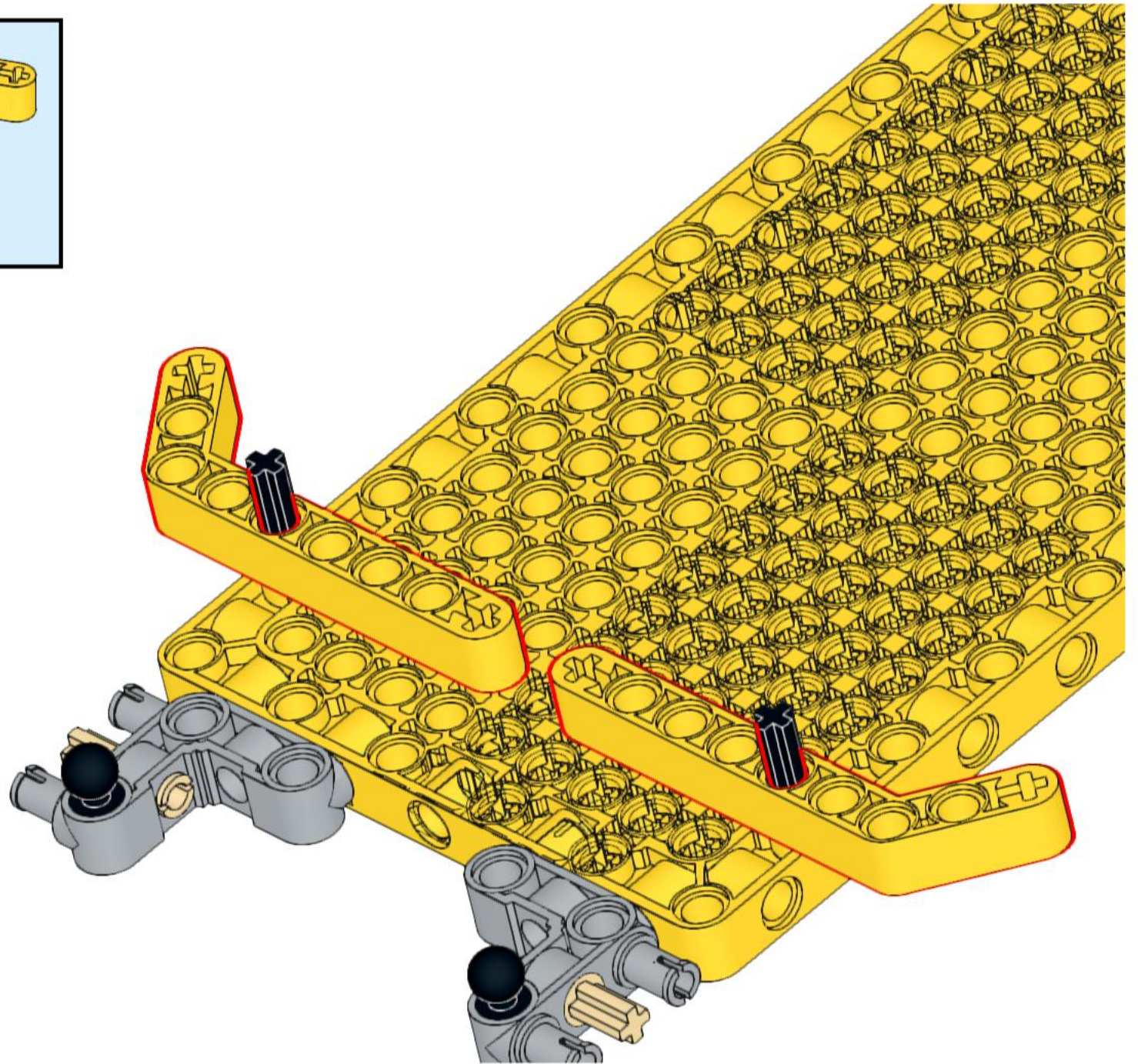
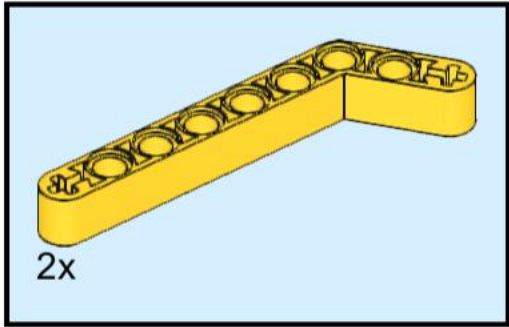
5



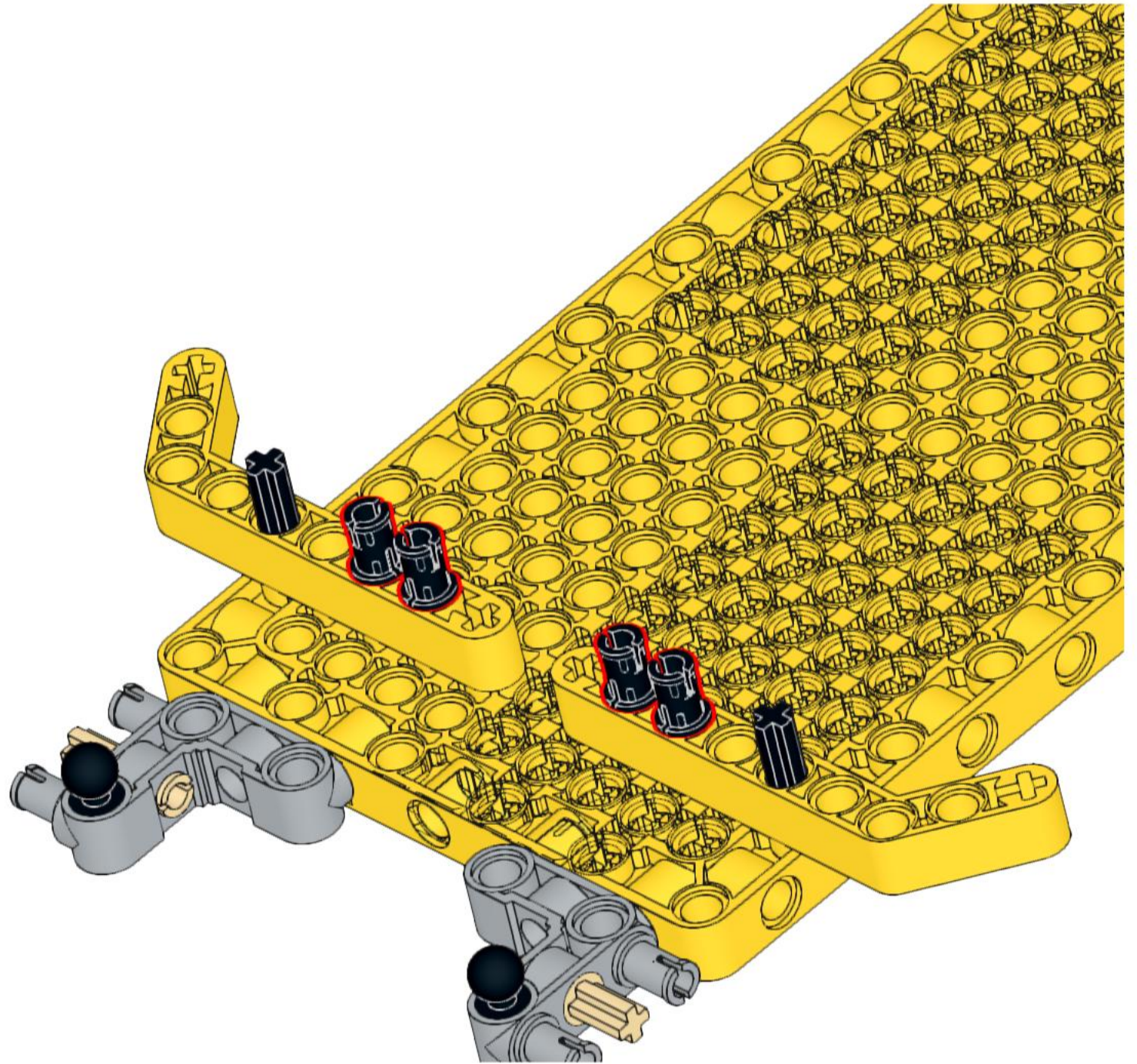
6



7

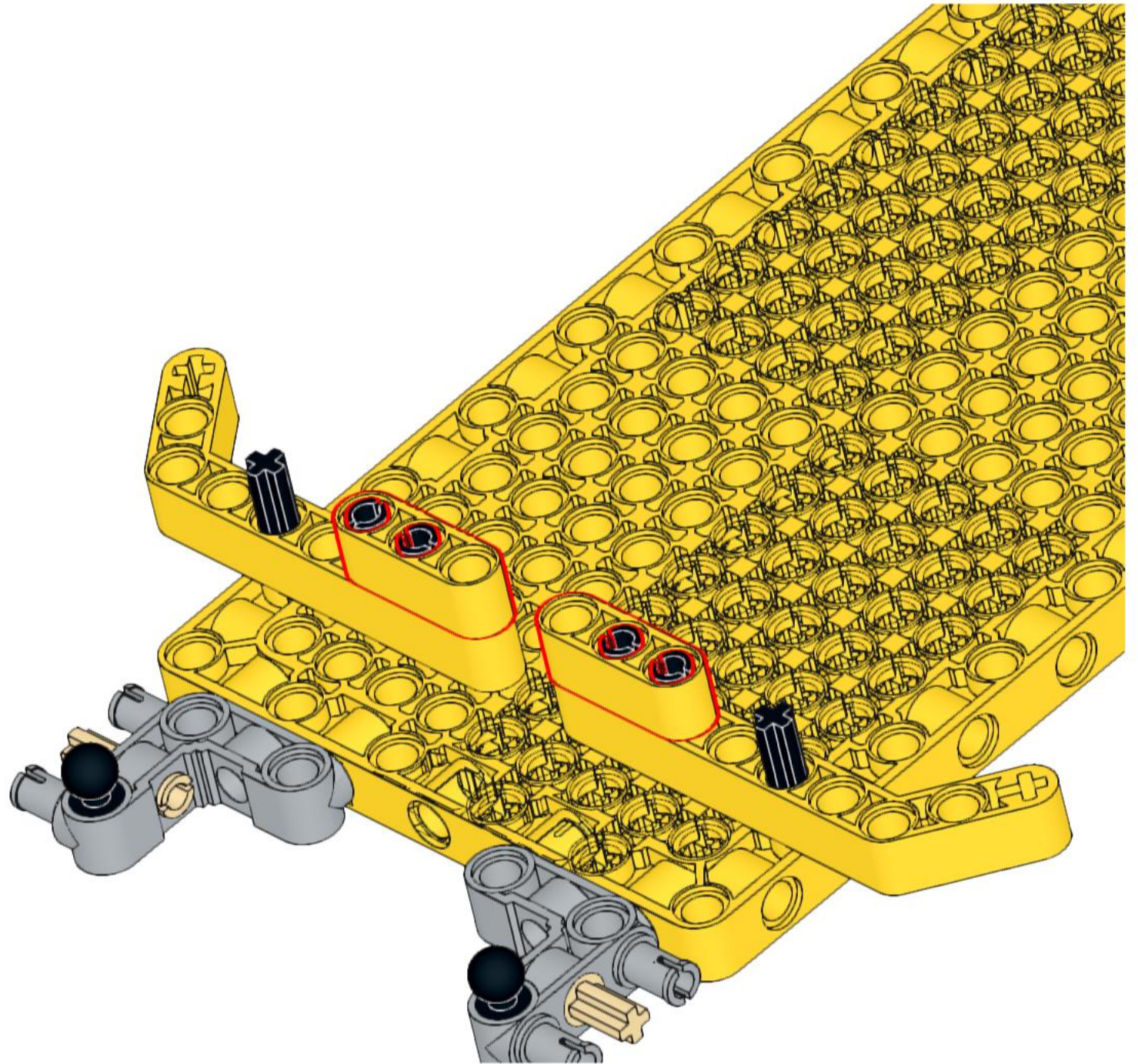
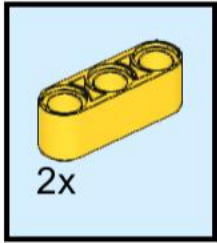


8

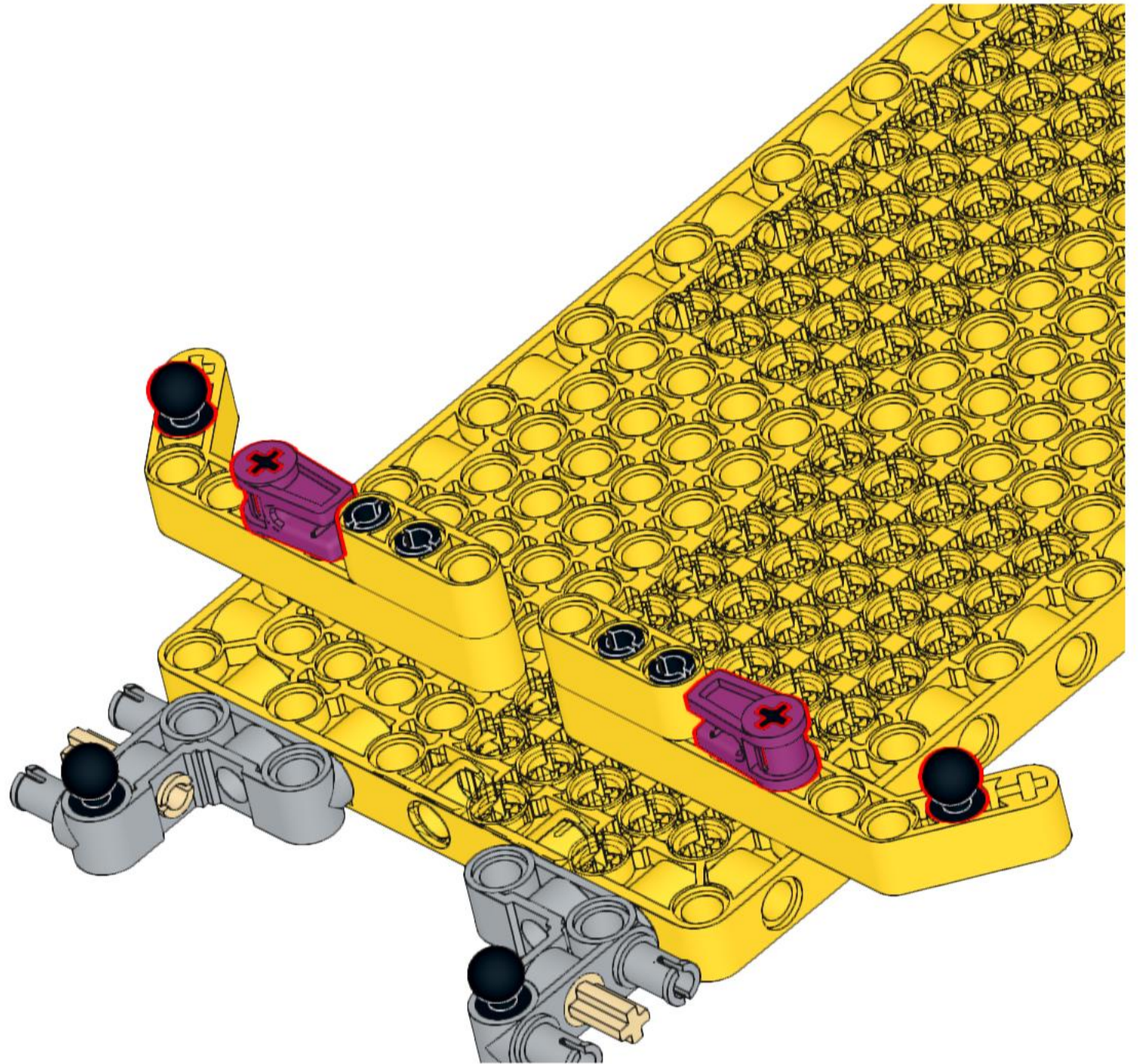
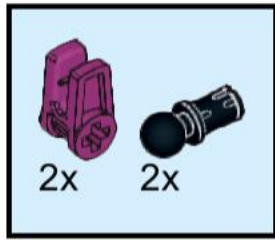




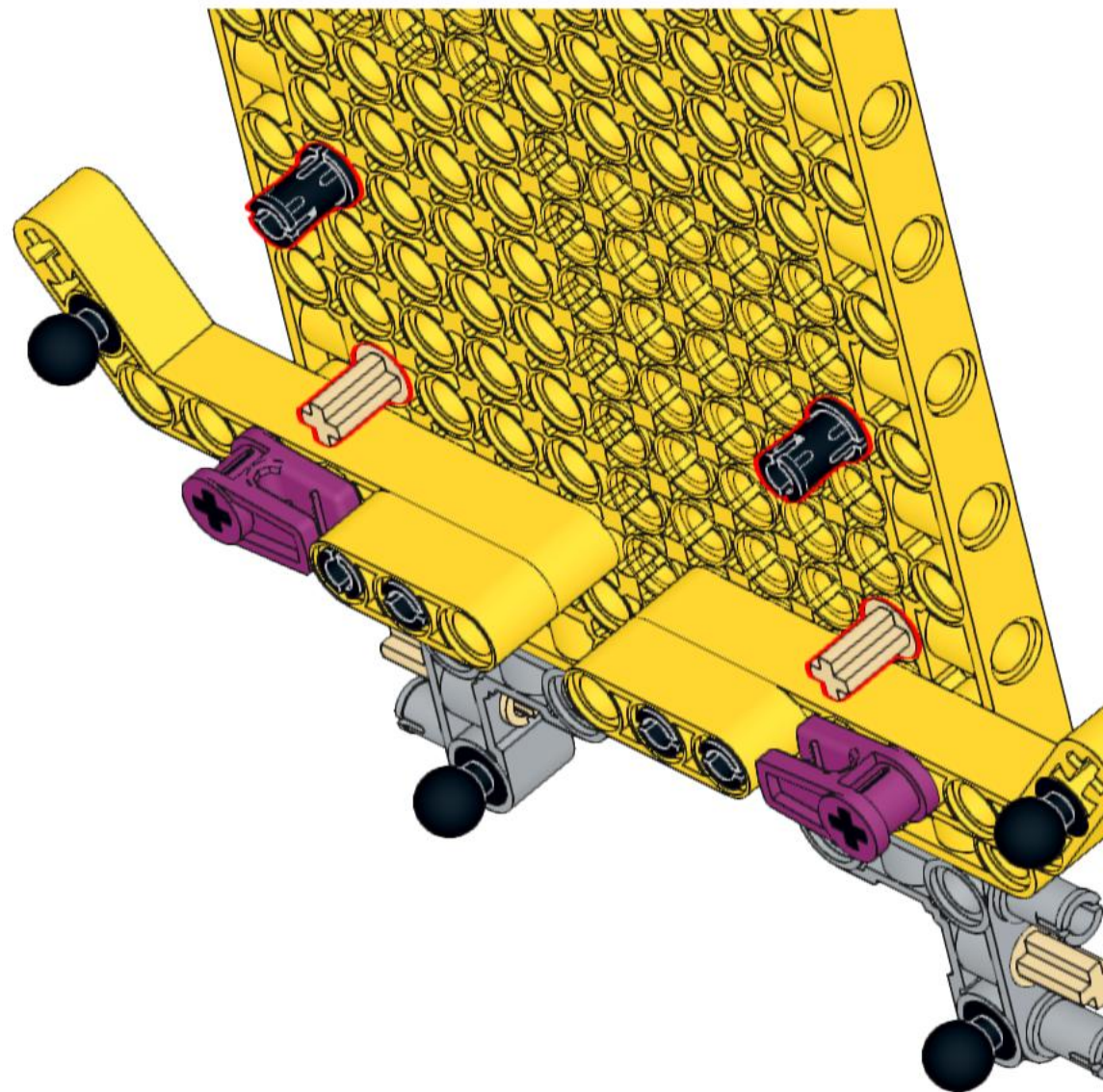
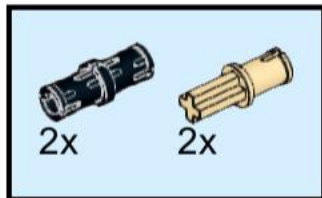
9



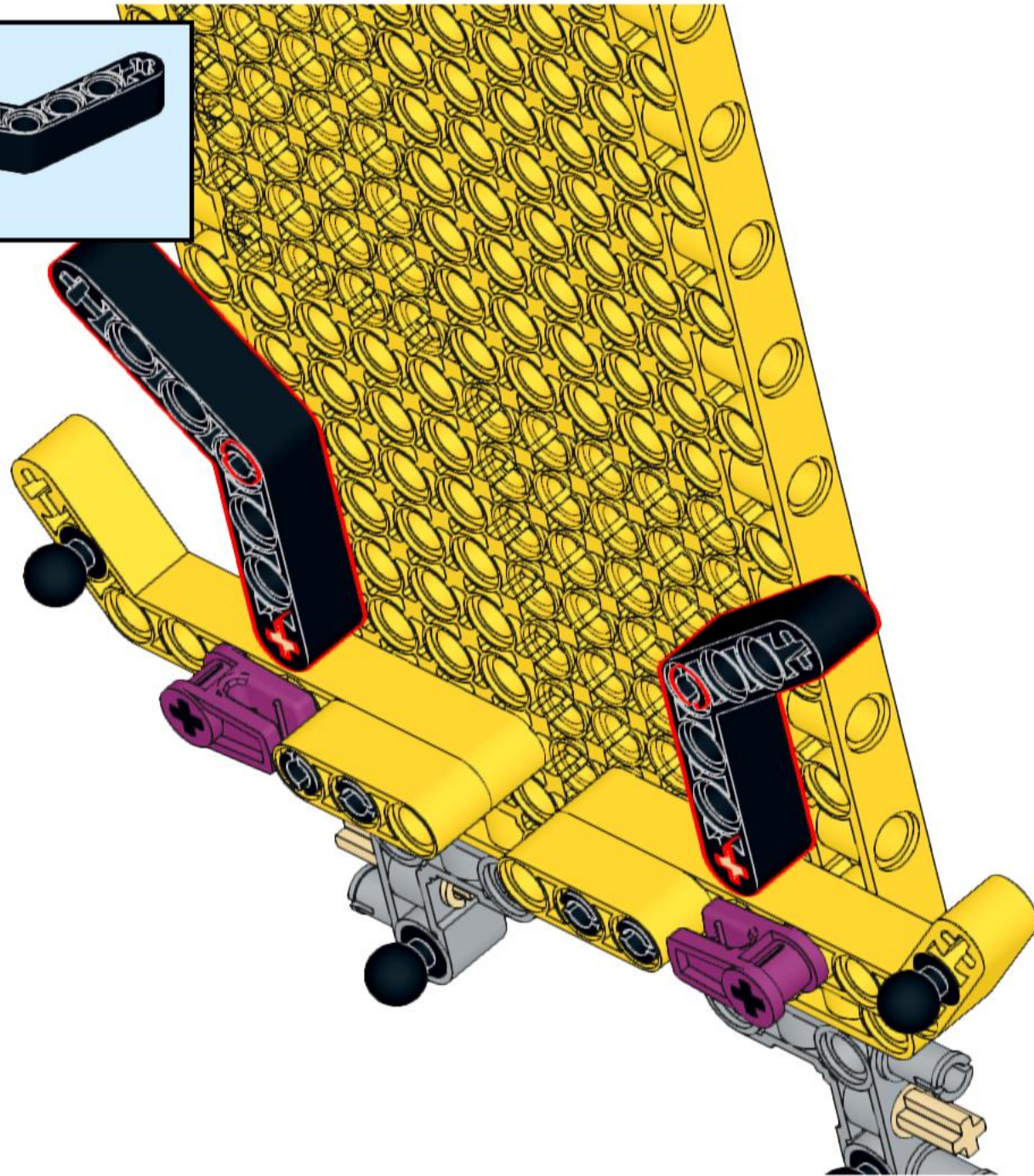
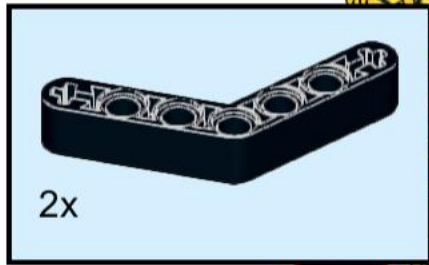
# 10



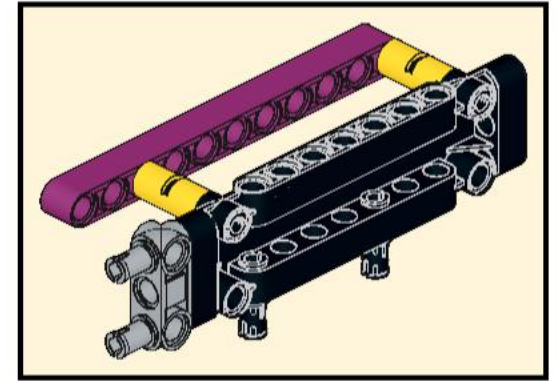
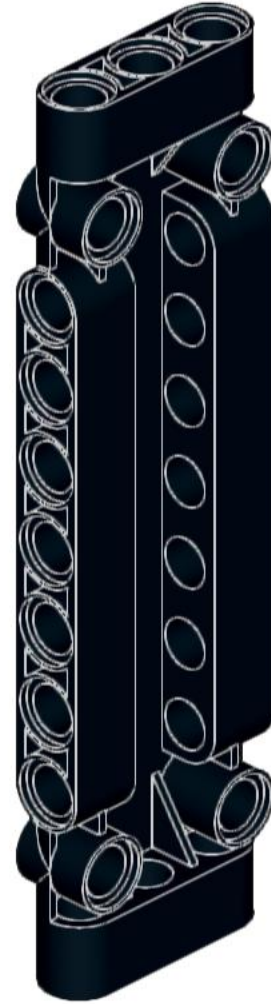
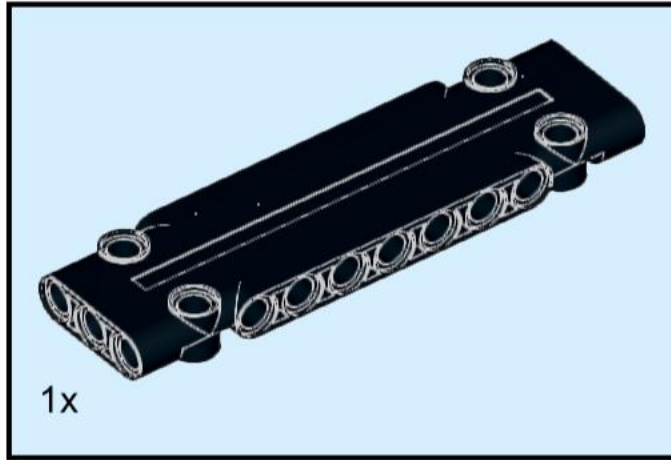
# 11



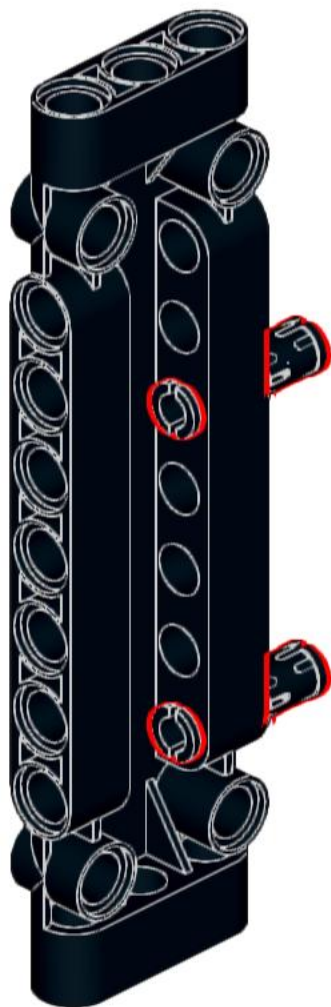
# 12



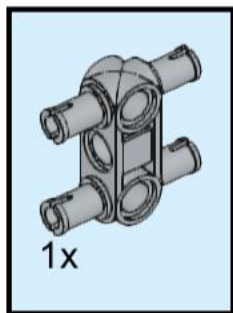
# 13



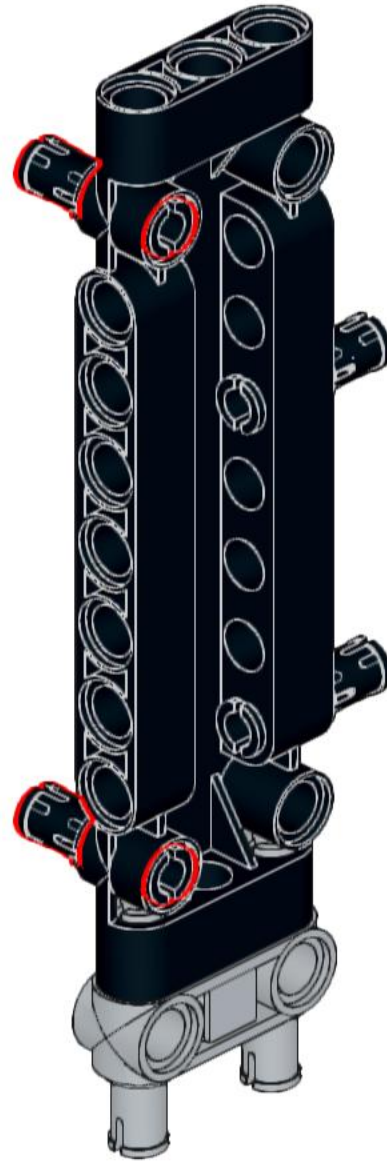
14



# 15

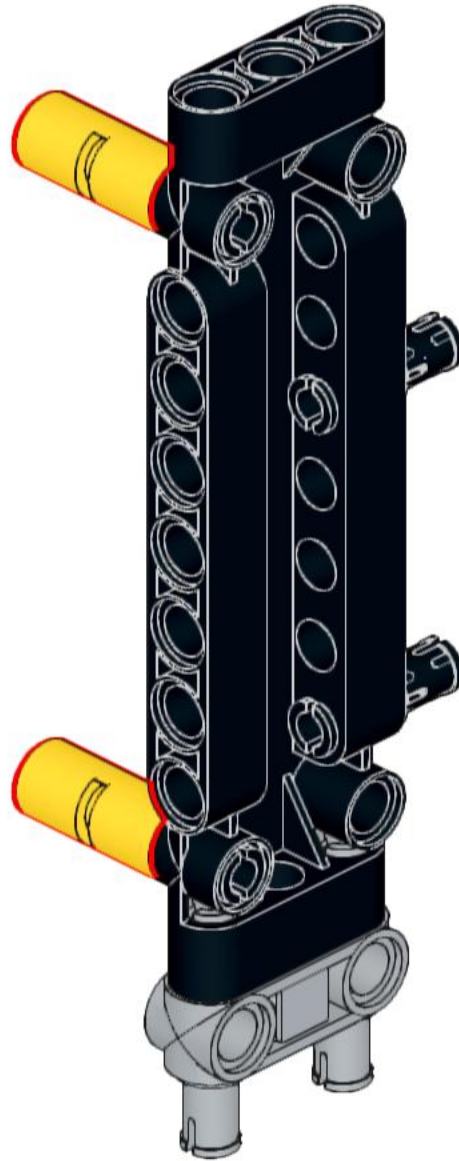
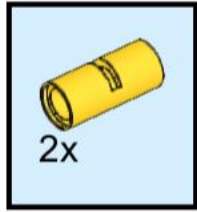


# 16

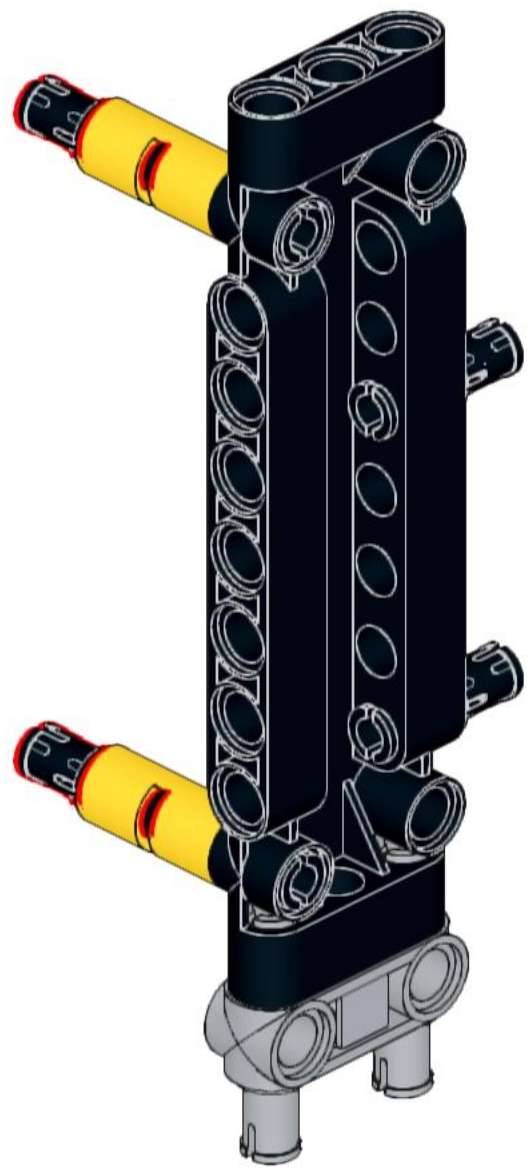




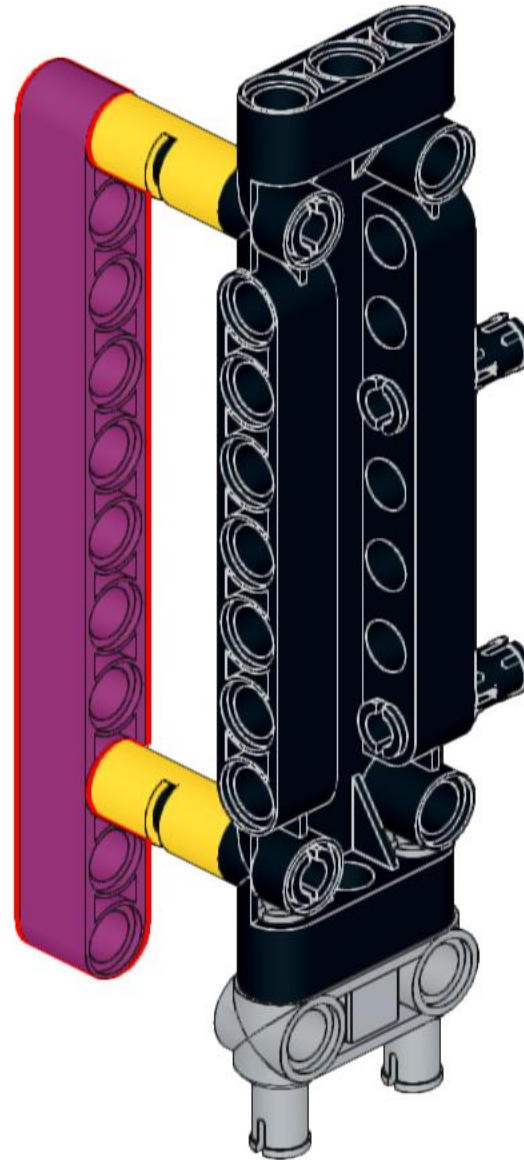
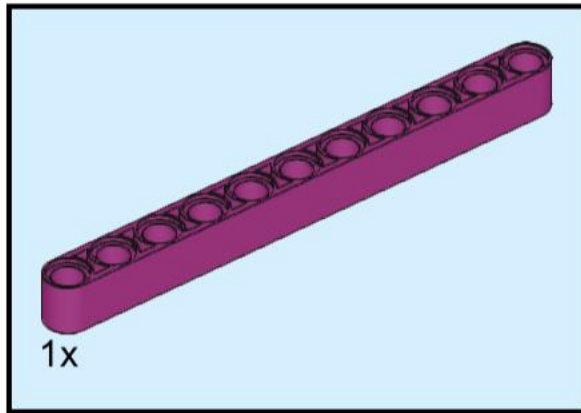
17



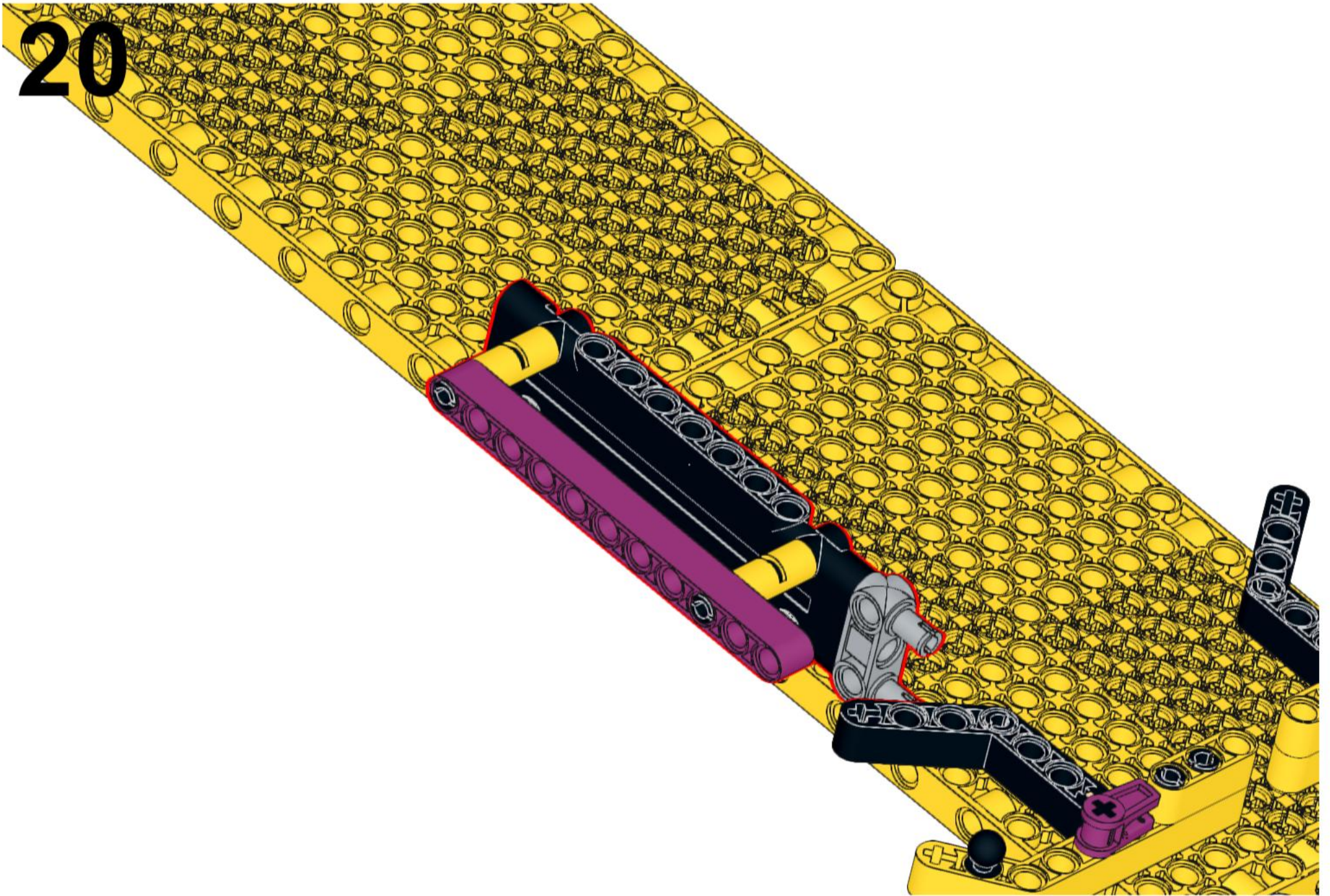
# 18

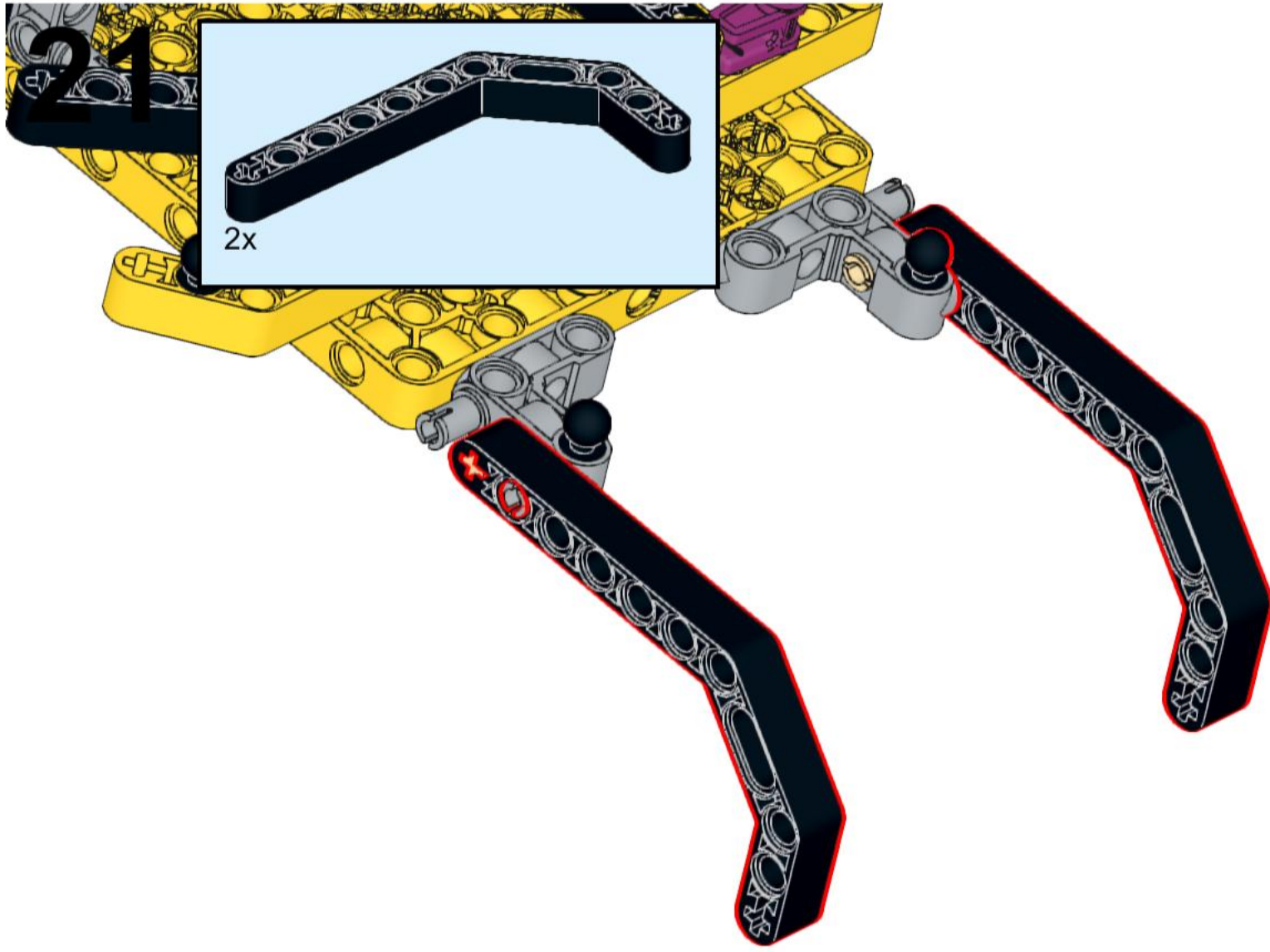


# 19

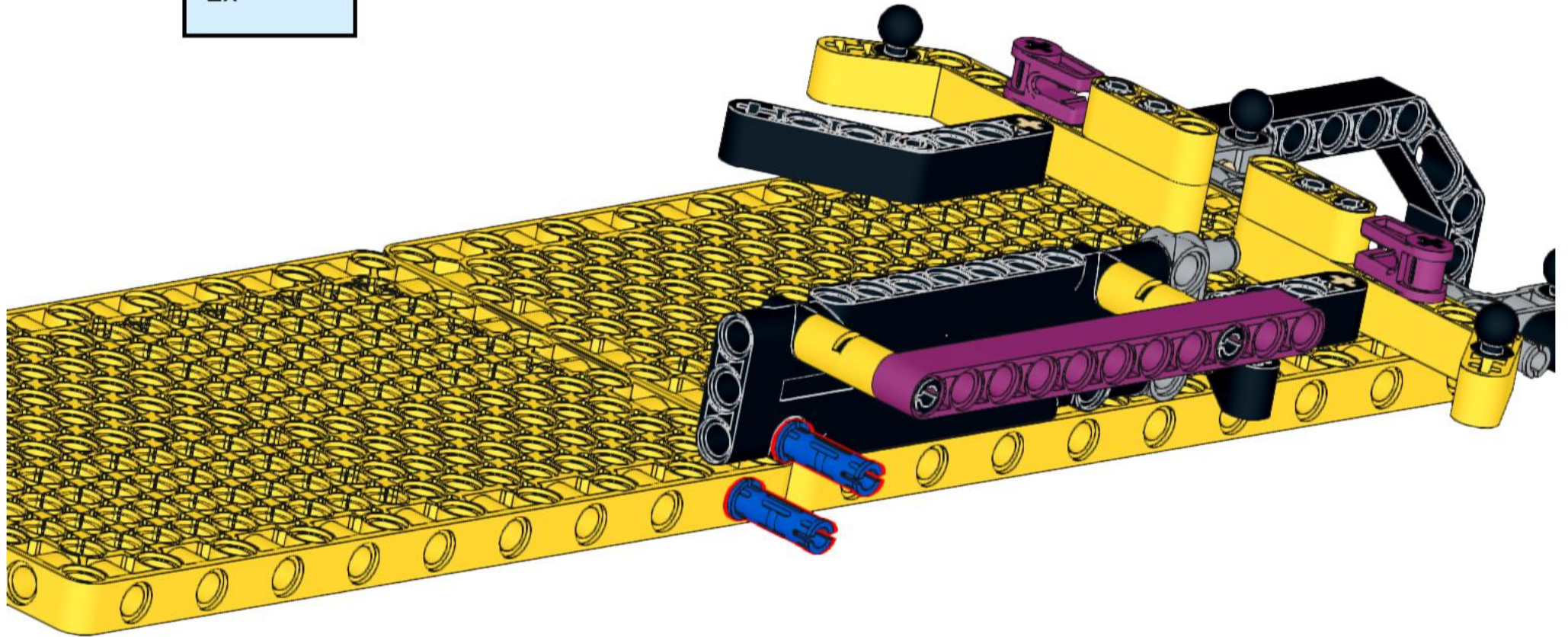
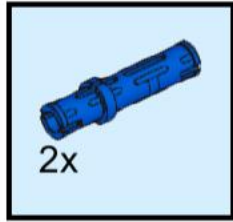


20

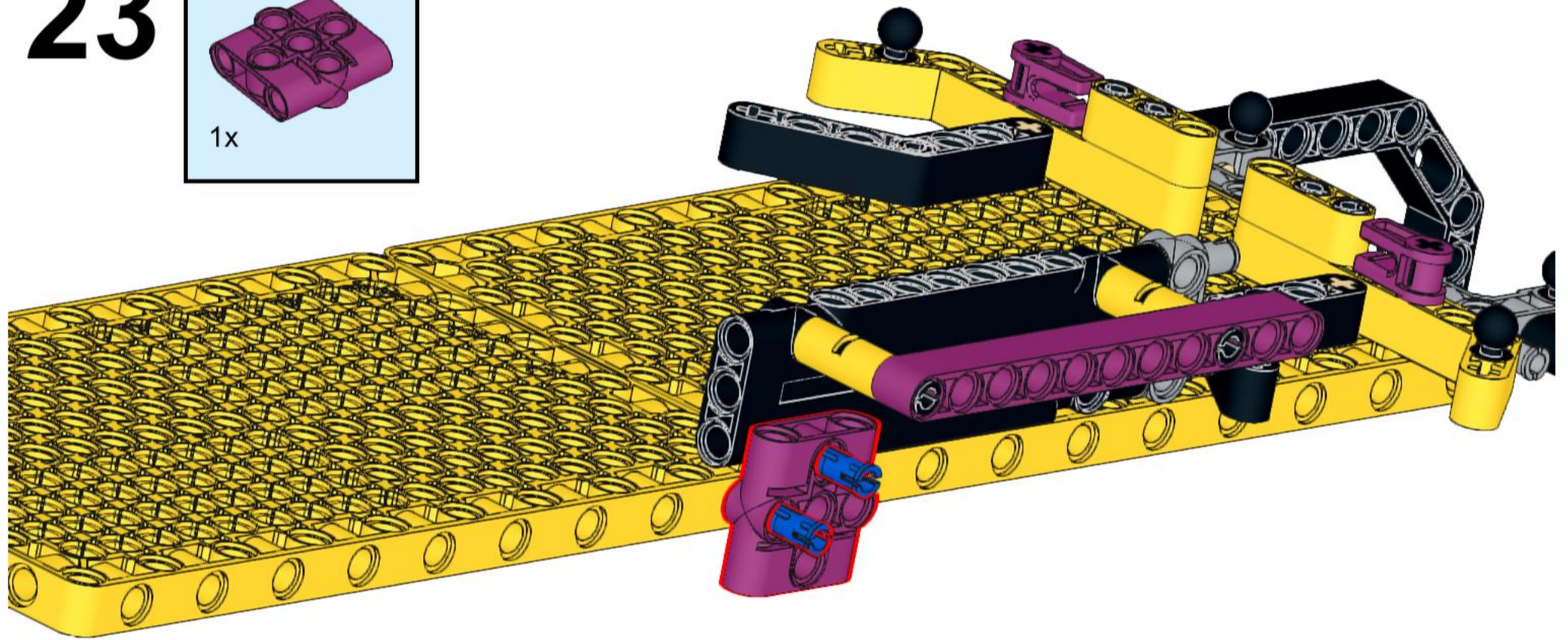
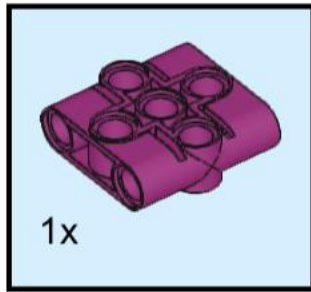




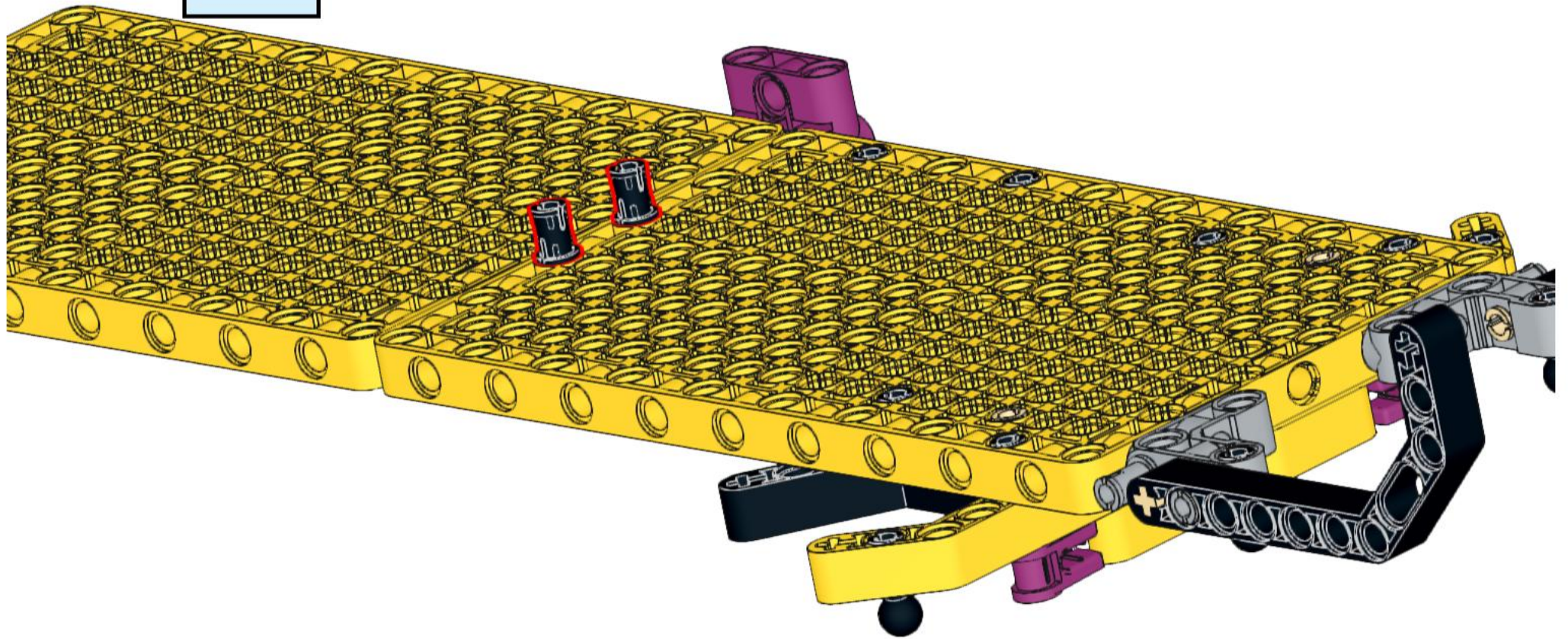
# 22



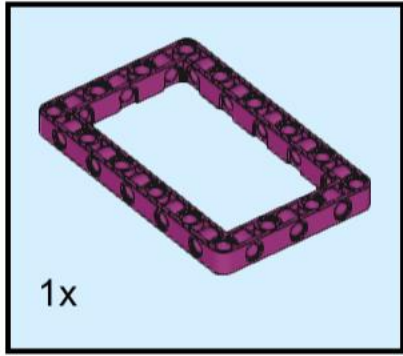
# 23



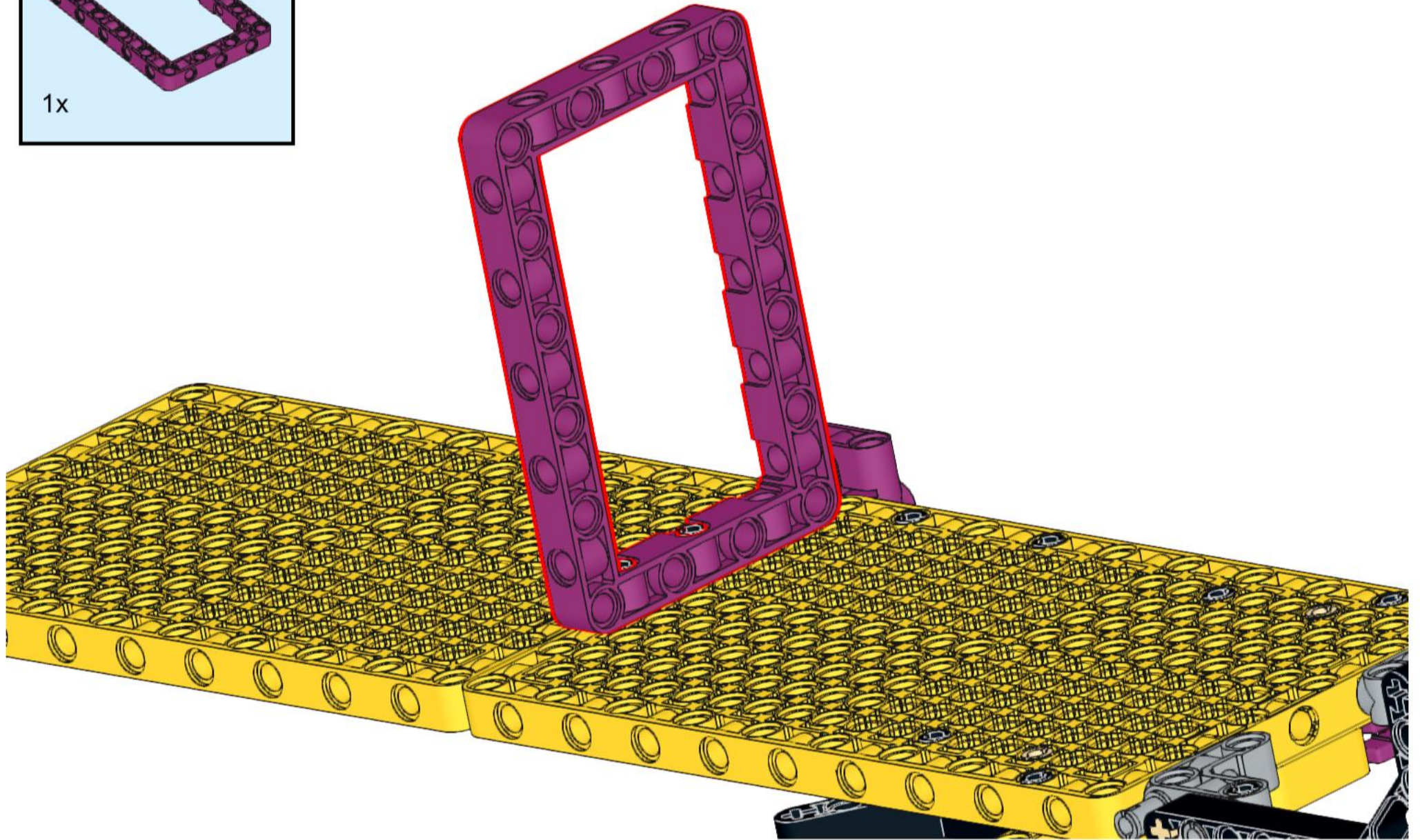
24



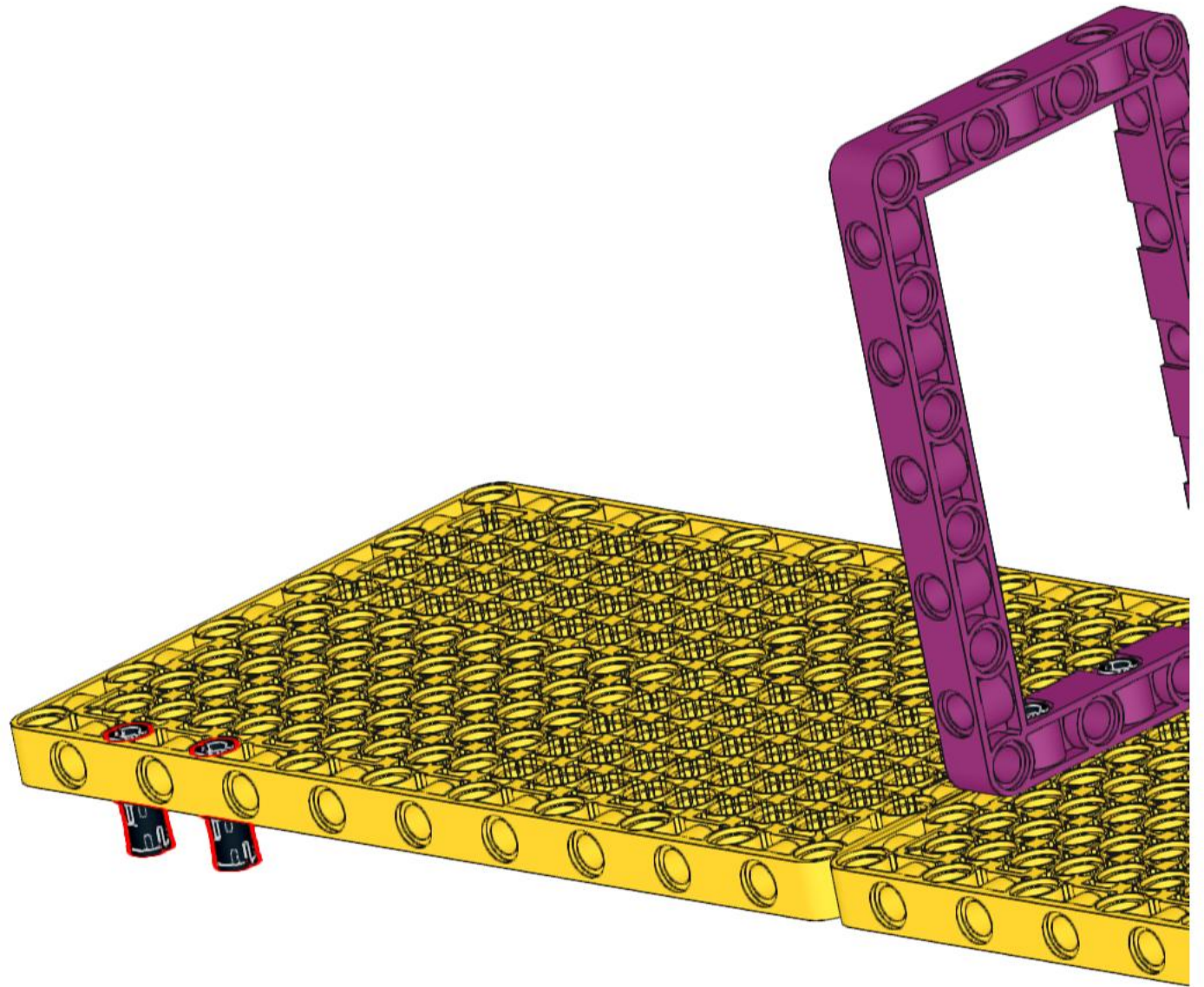




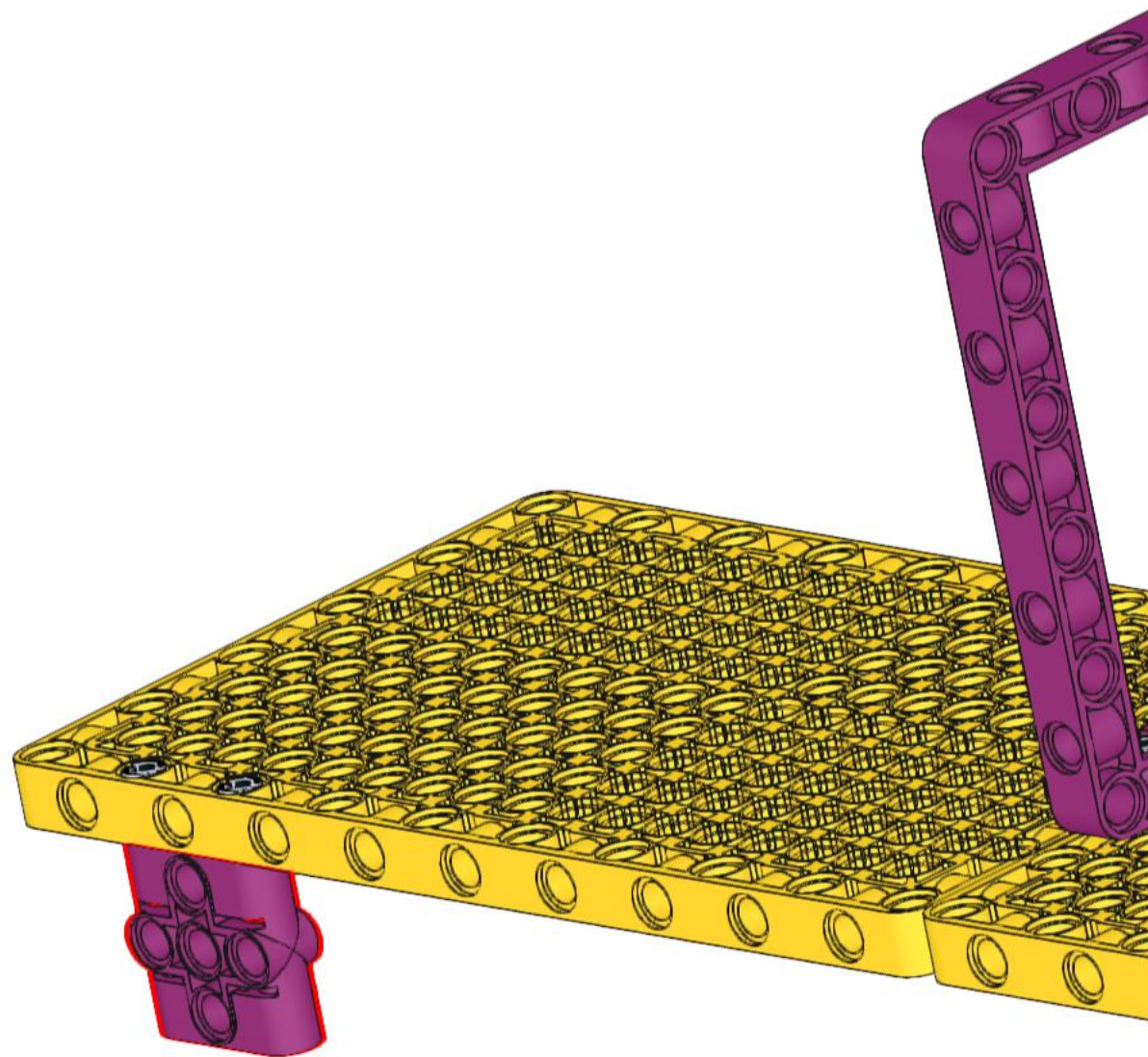
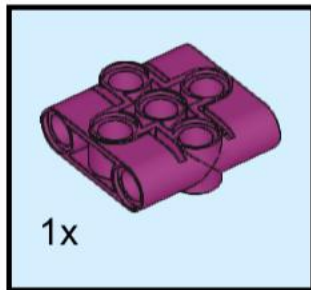
25



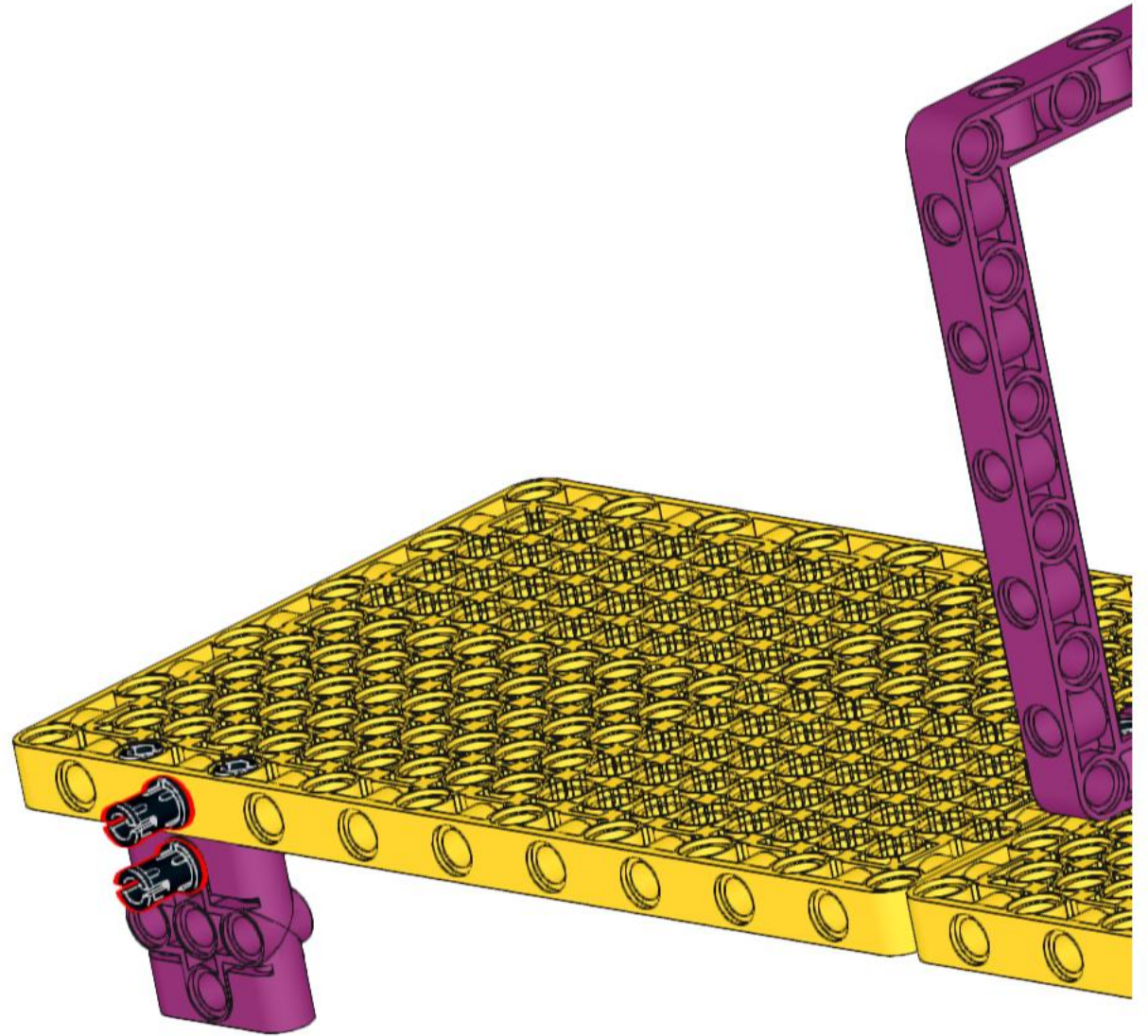
# 26



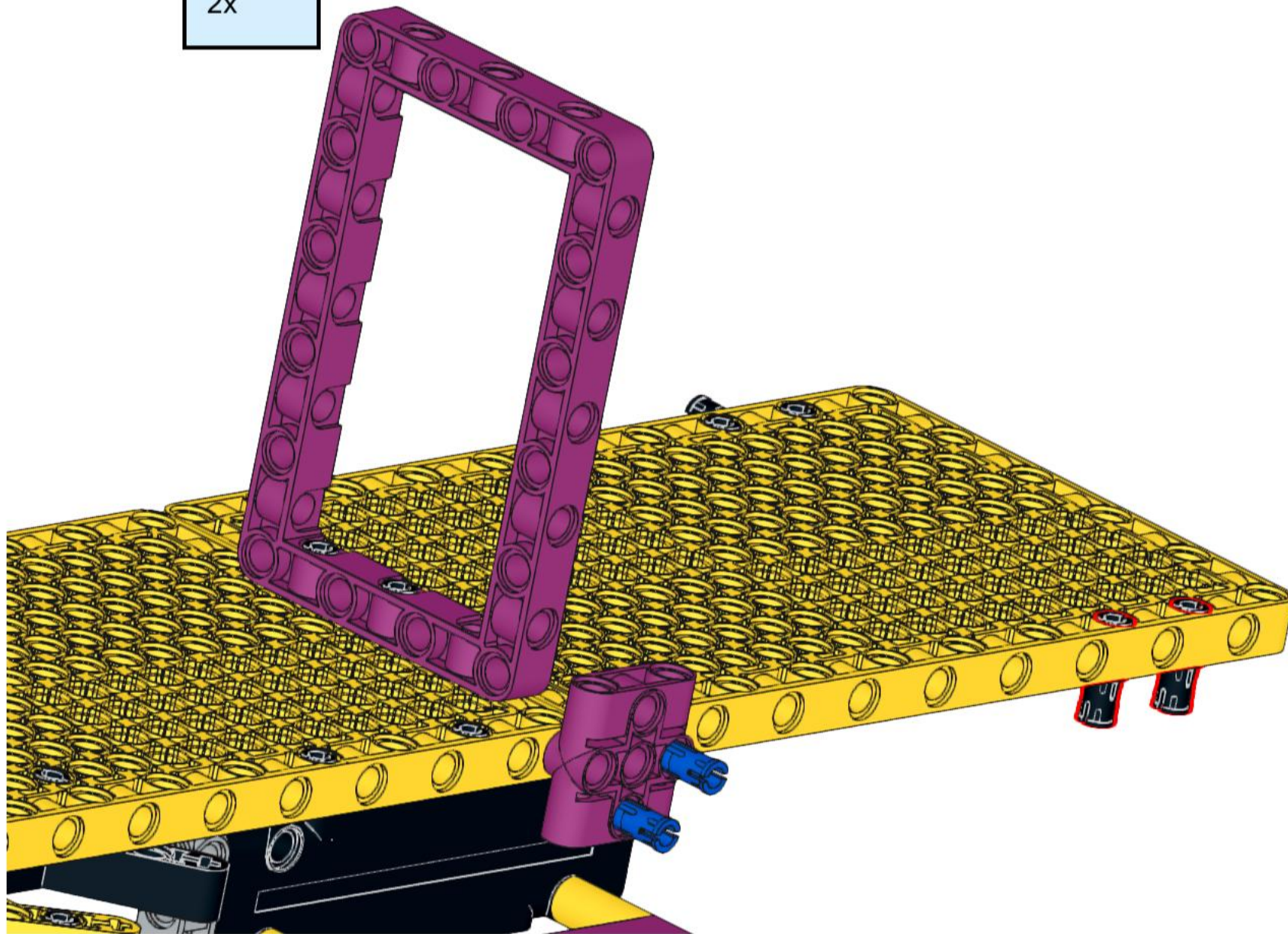
# 27



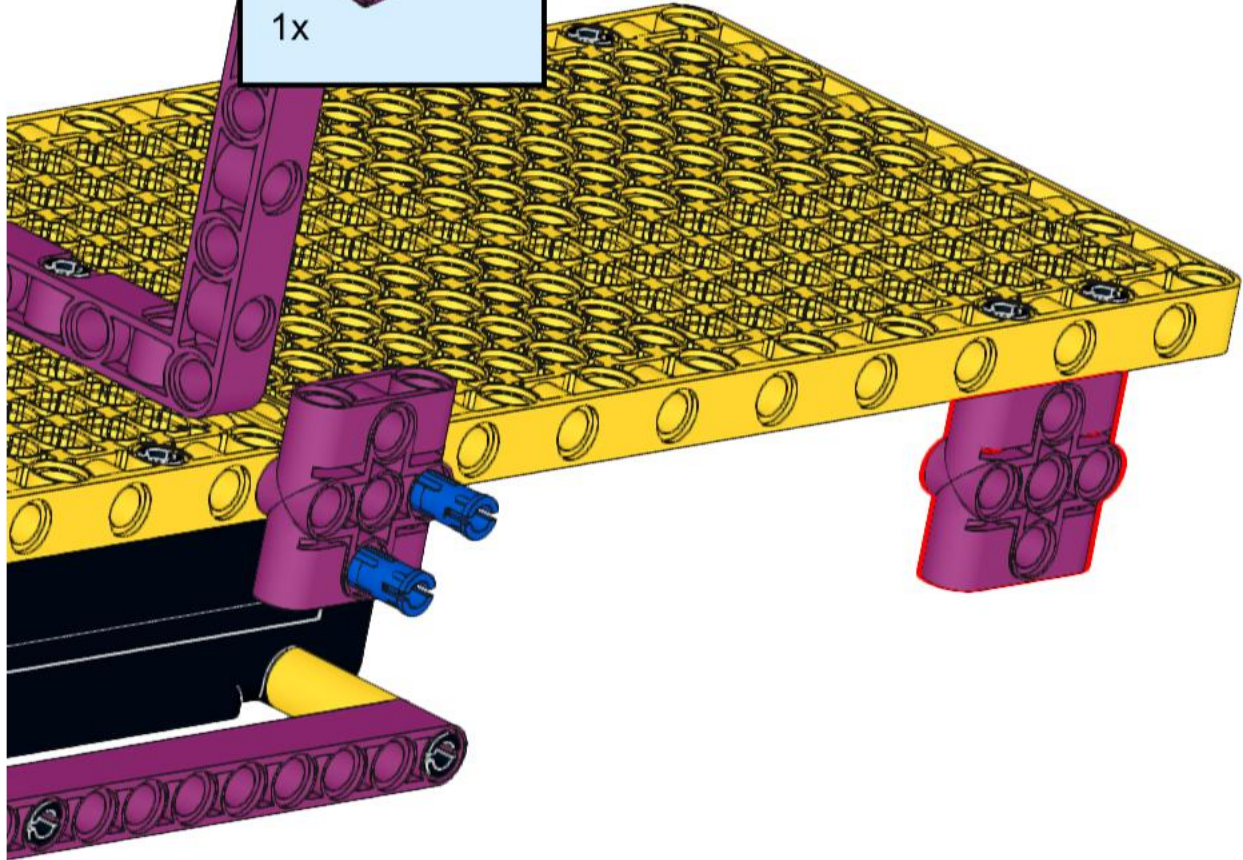
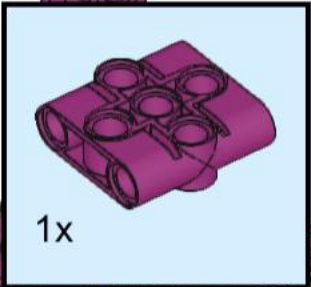
# 28



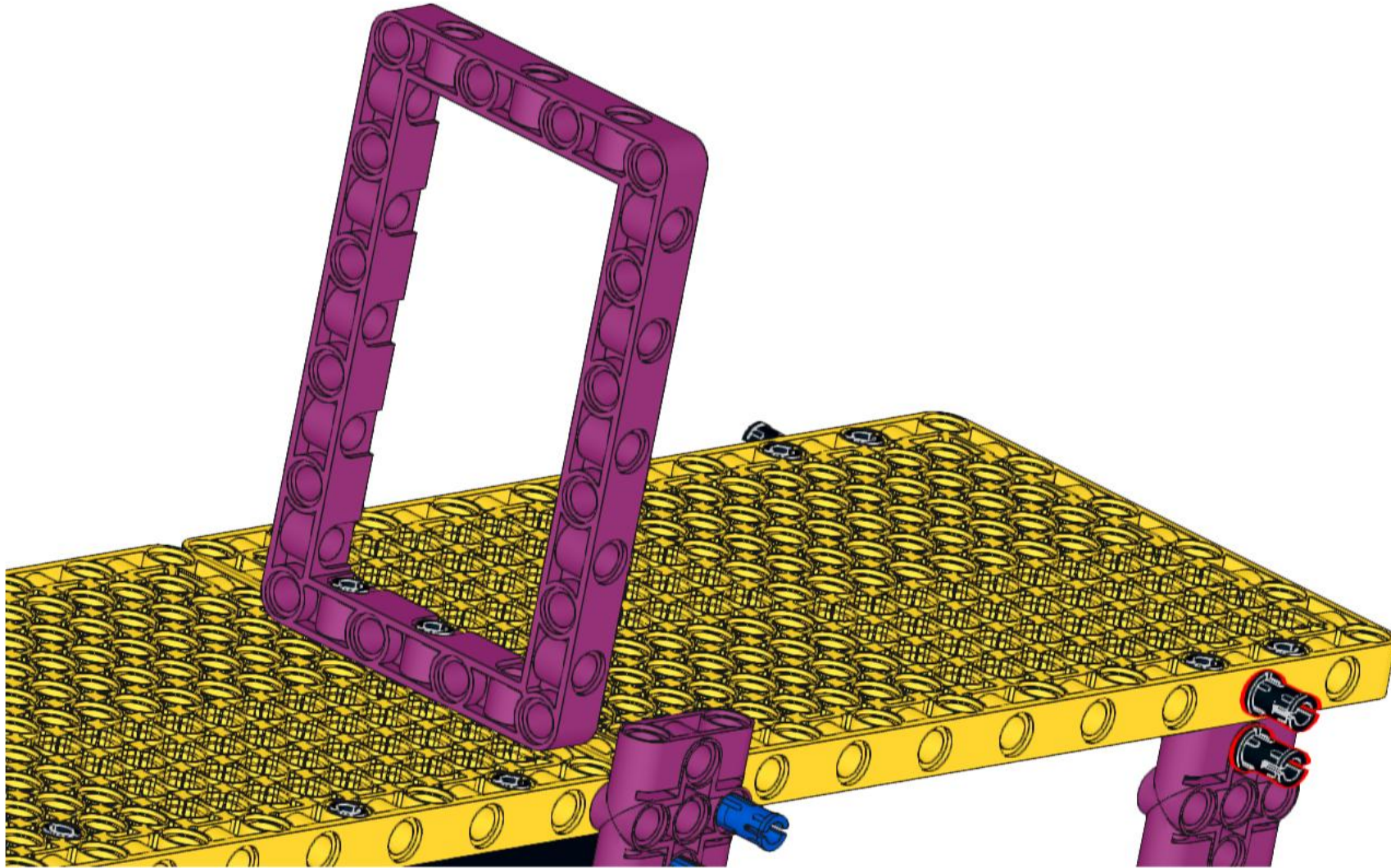
# 29



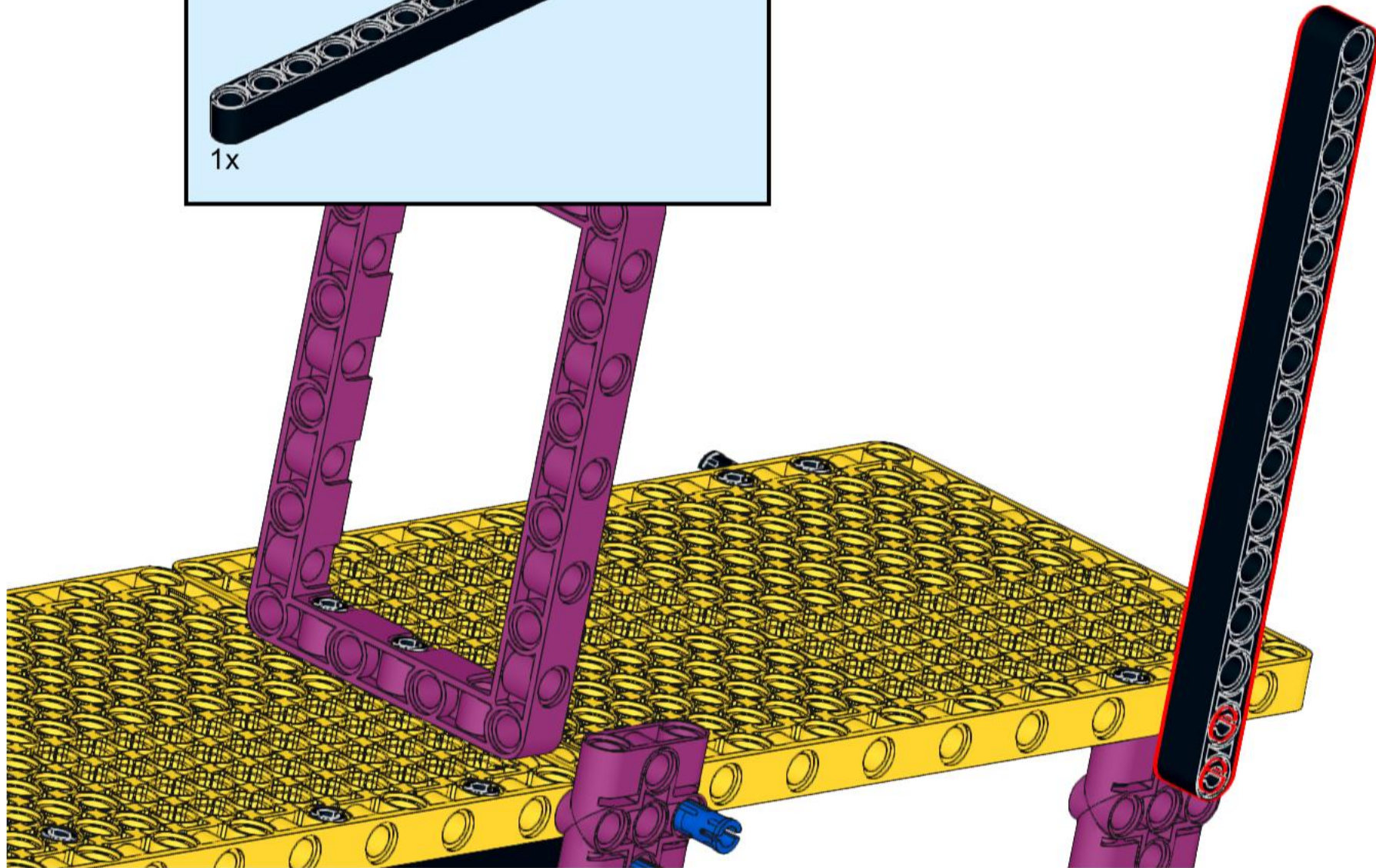
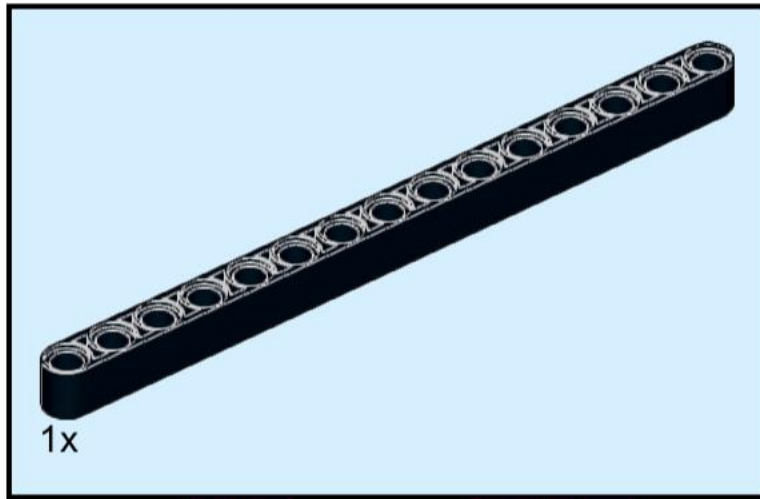
30



# 31

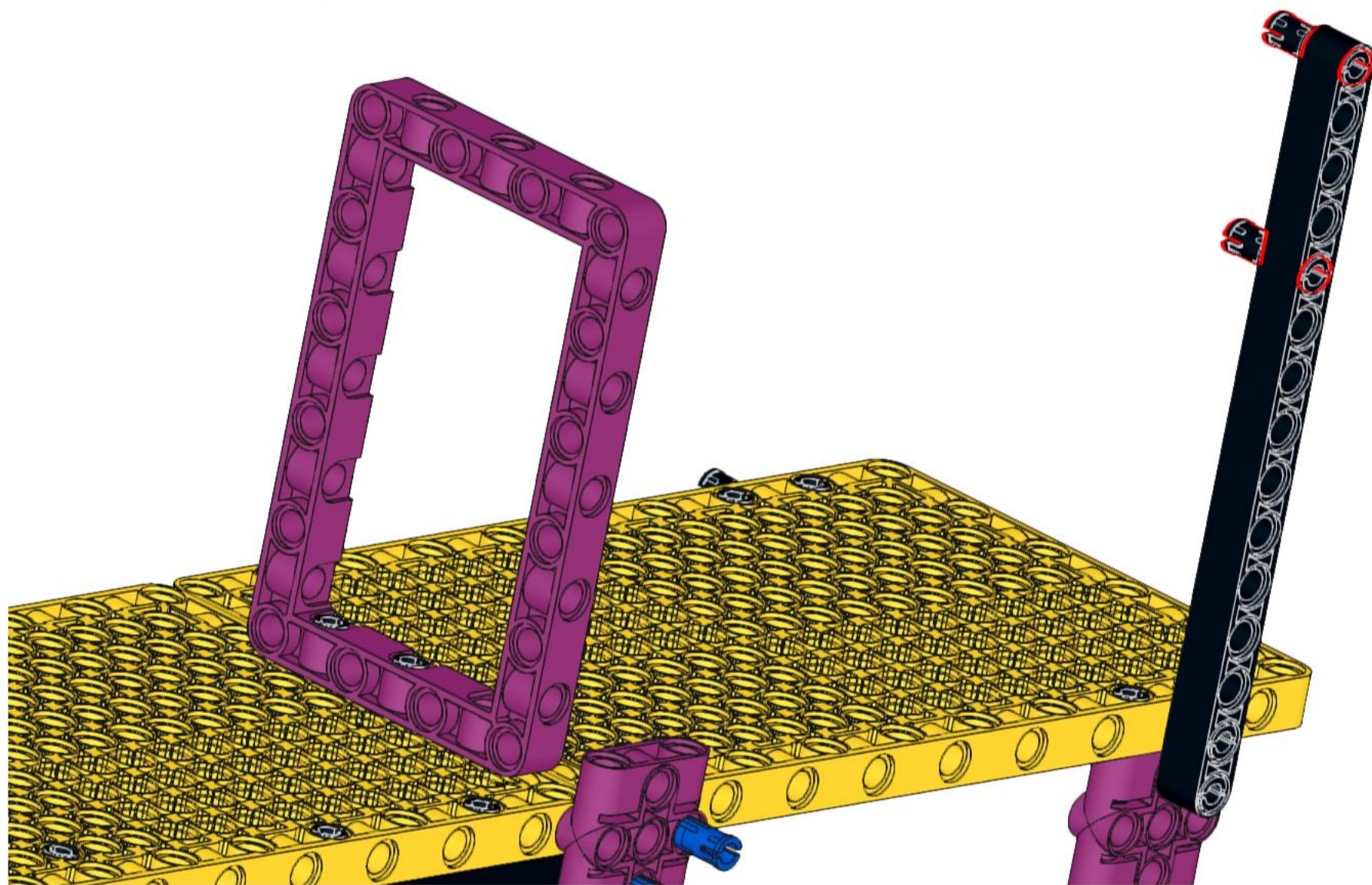


# 32

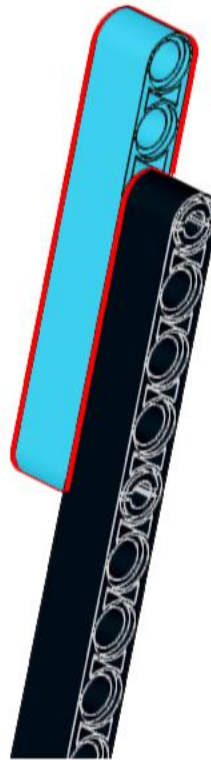
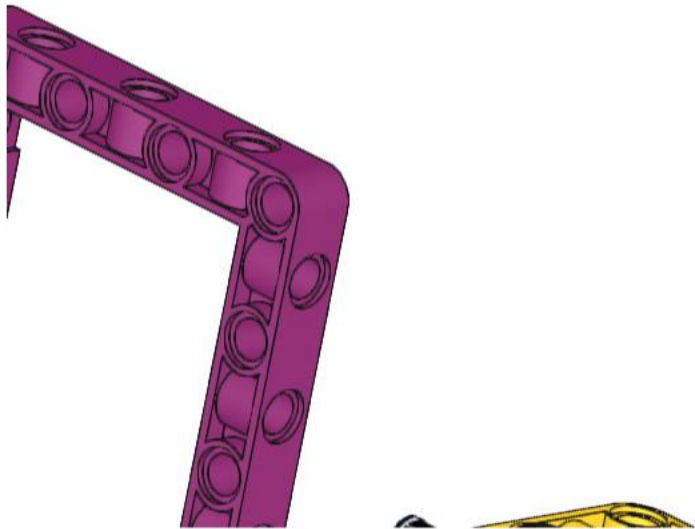
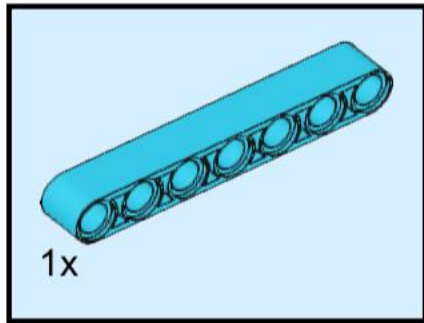




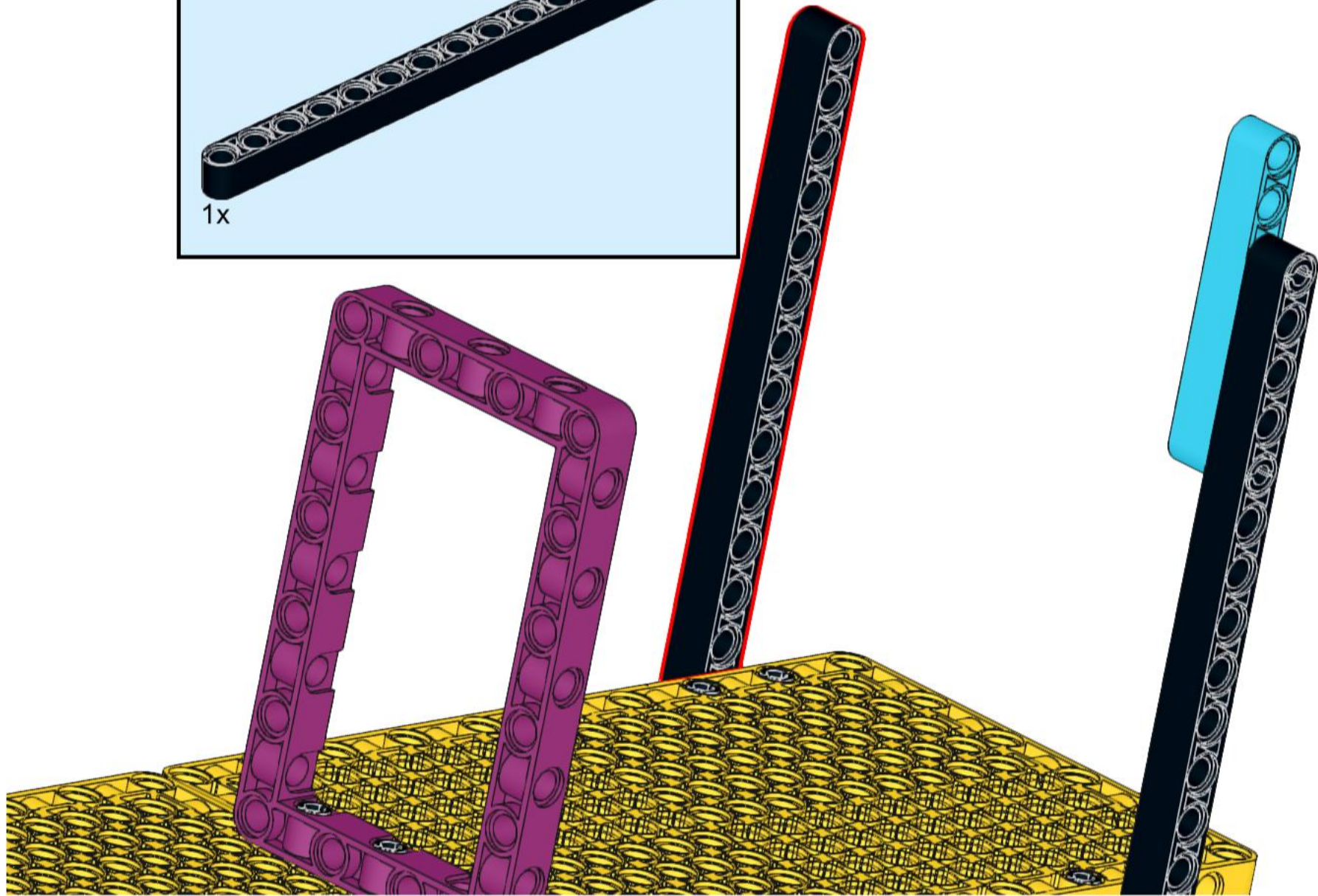
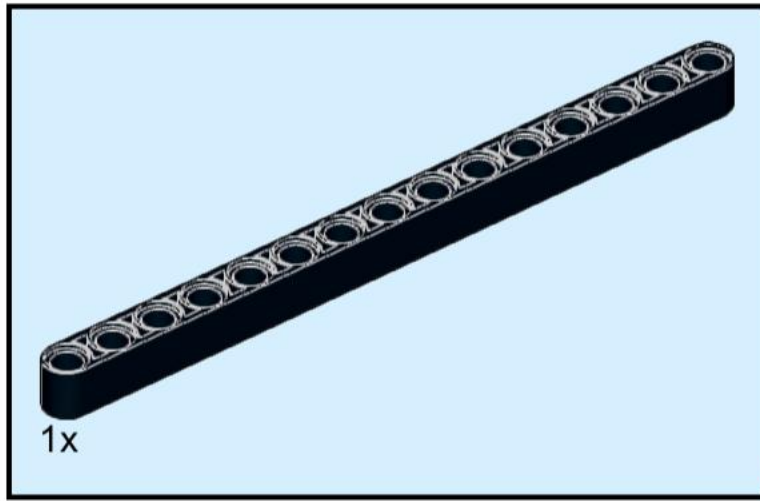
# 33



# 34



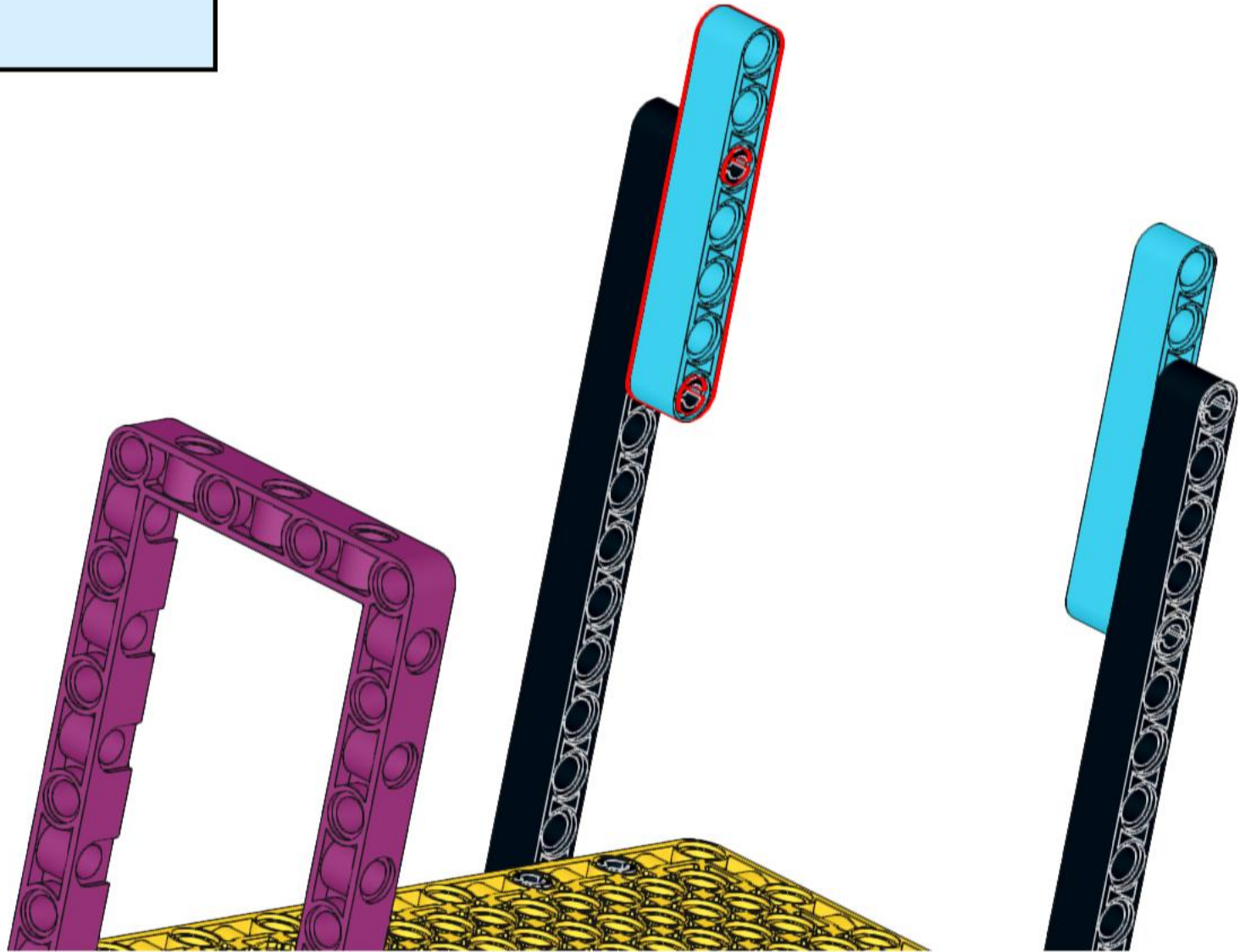
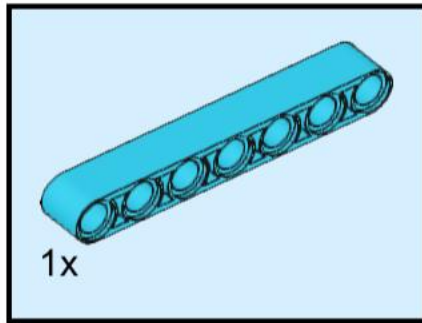
# 35



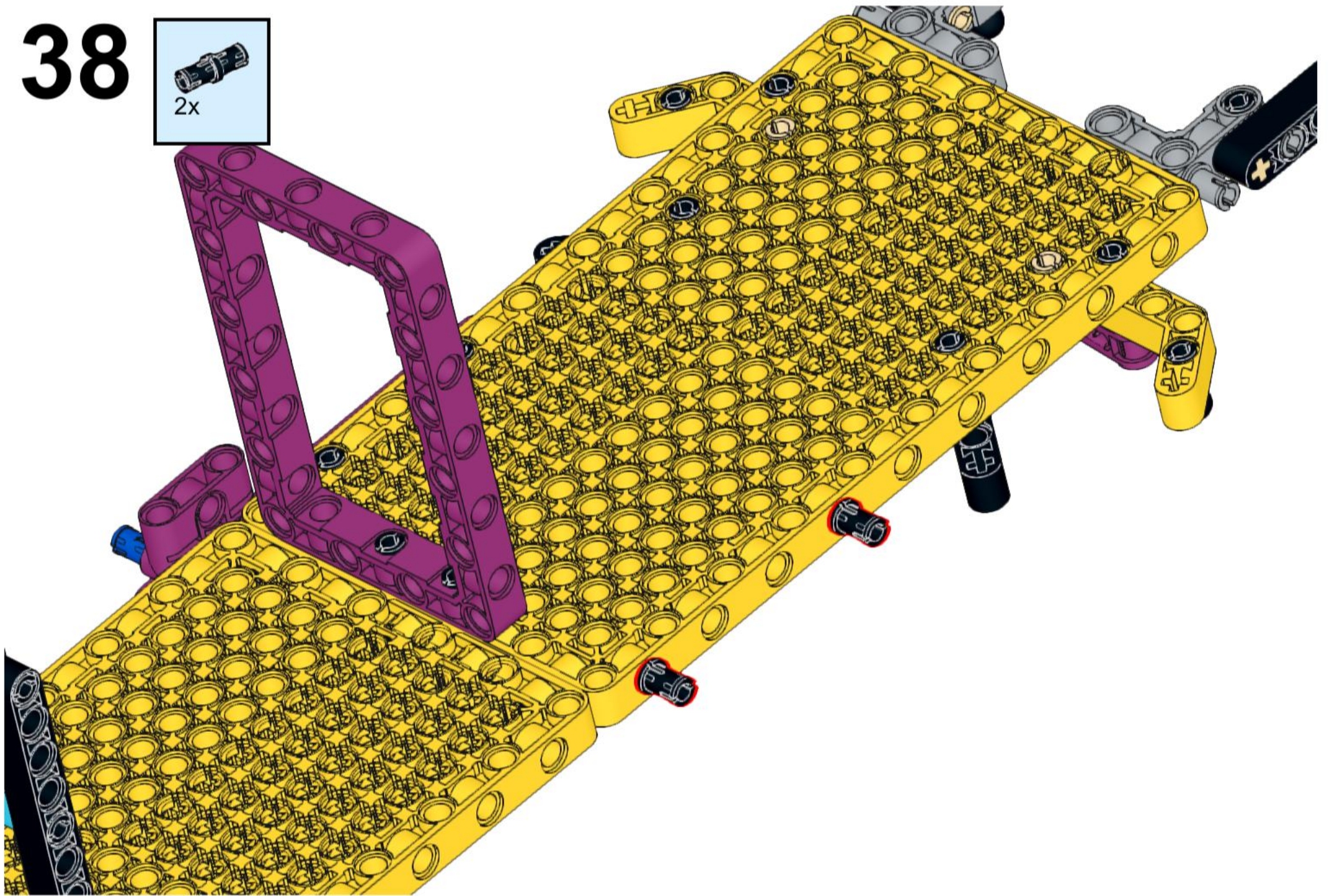
# 36



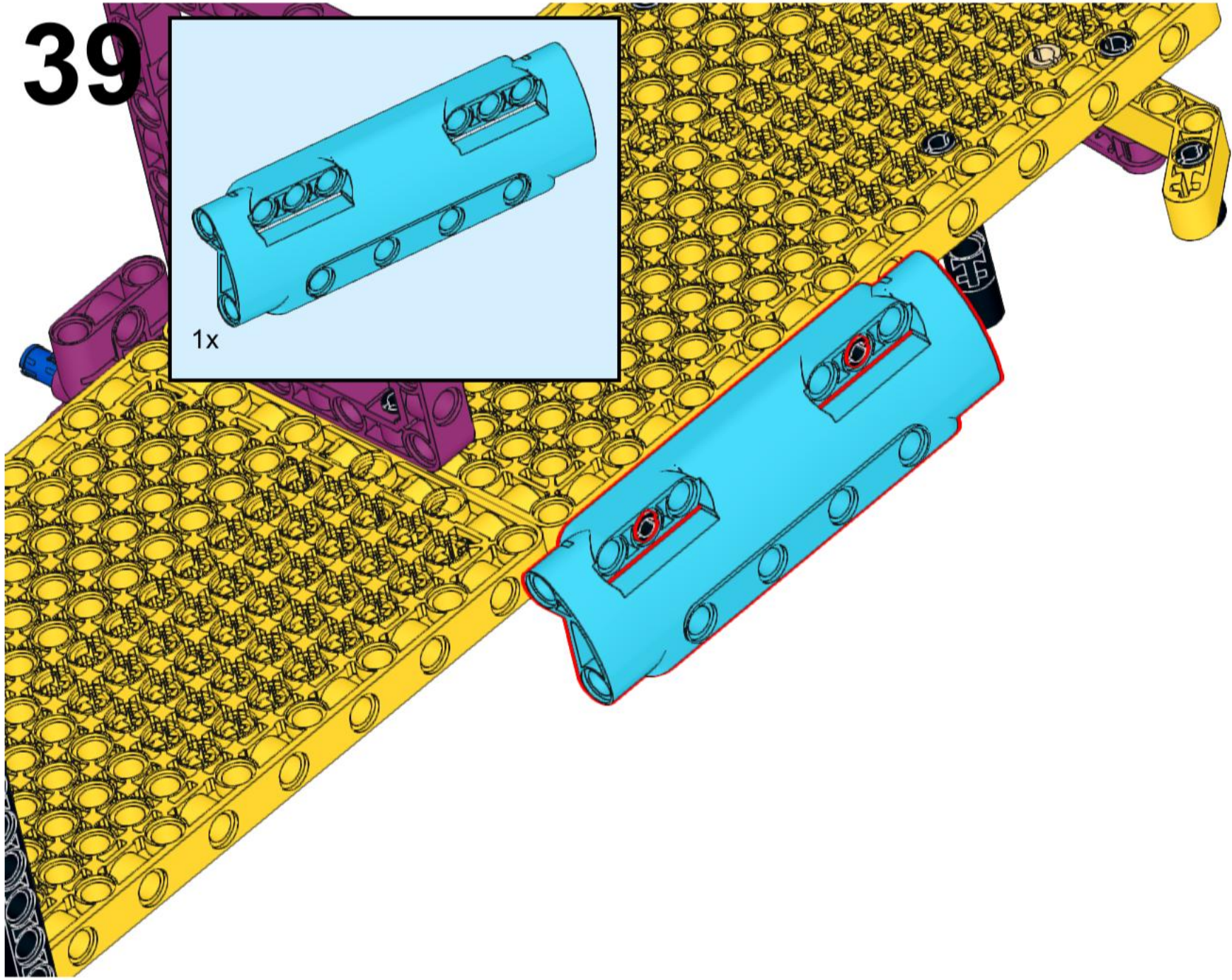
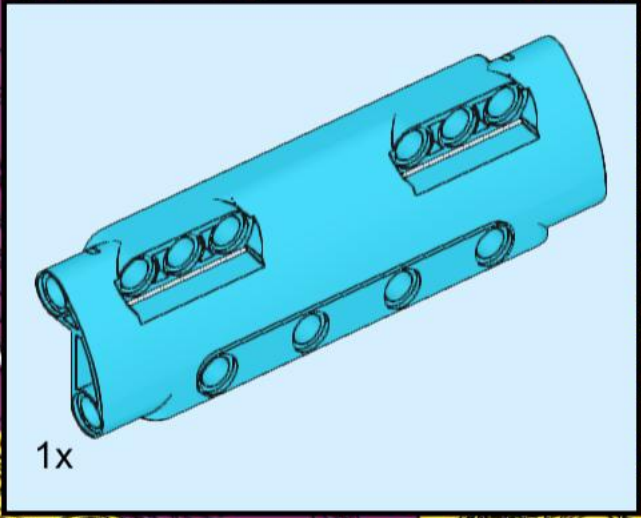
# 37



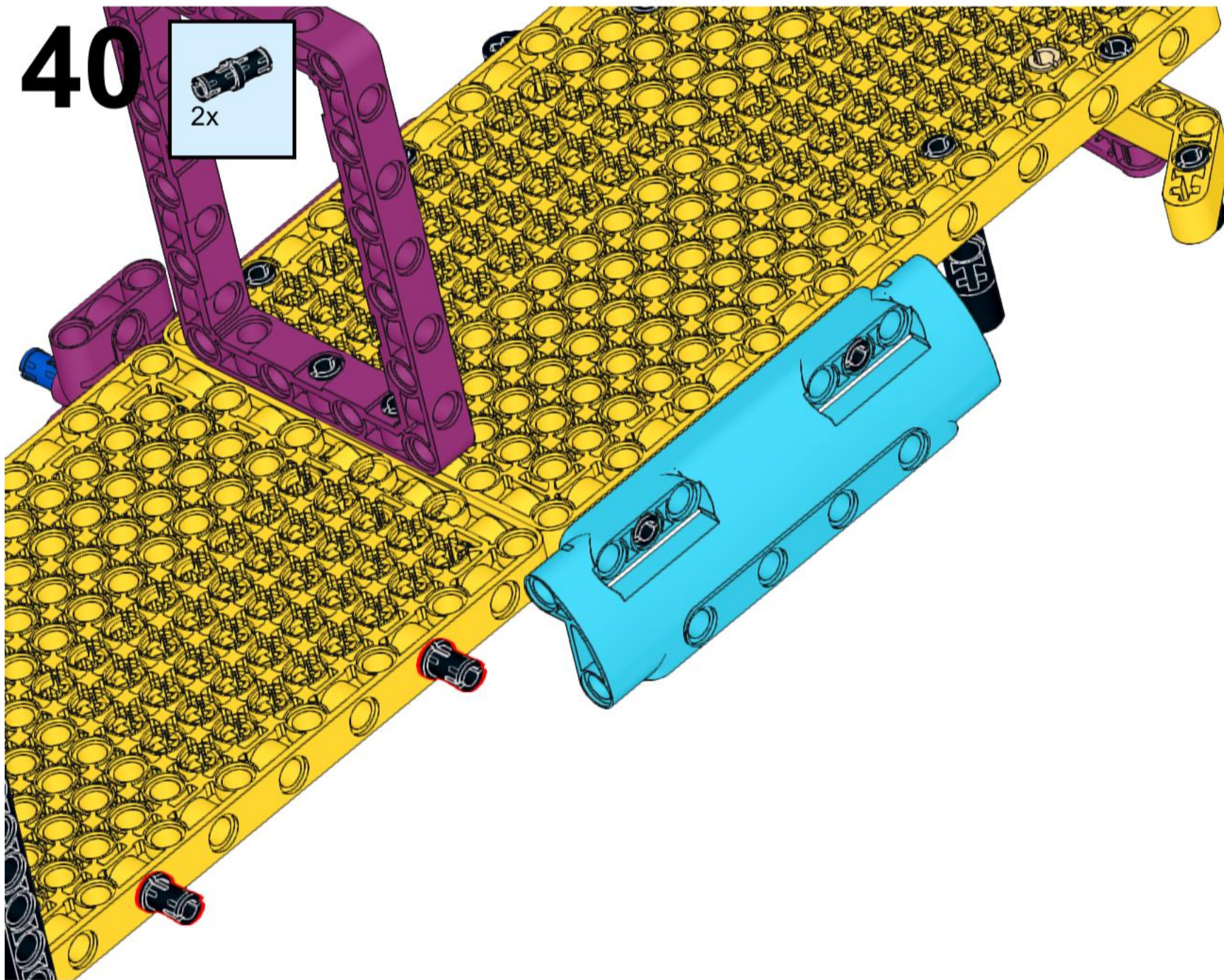
38



39

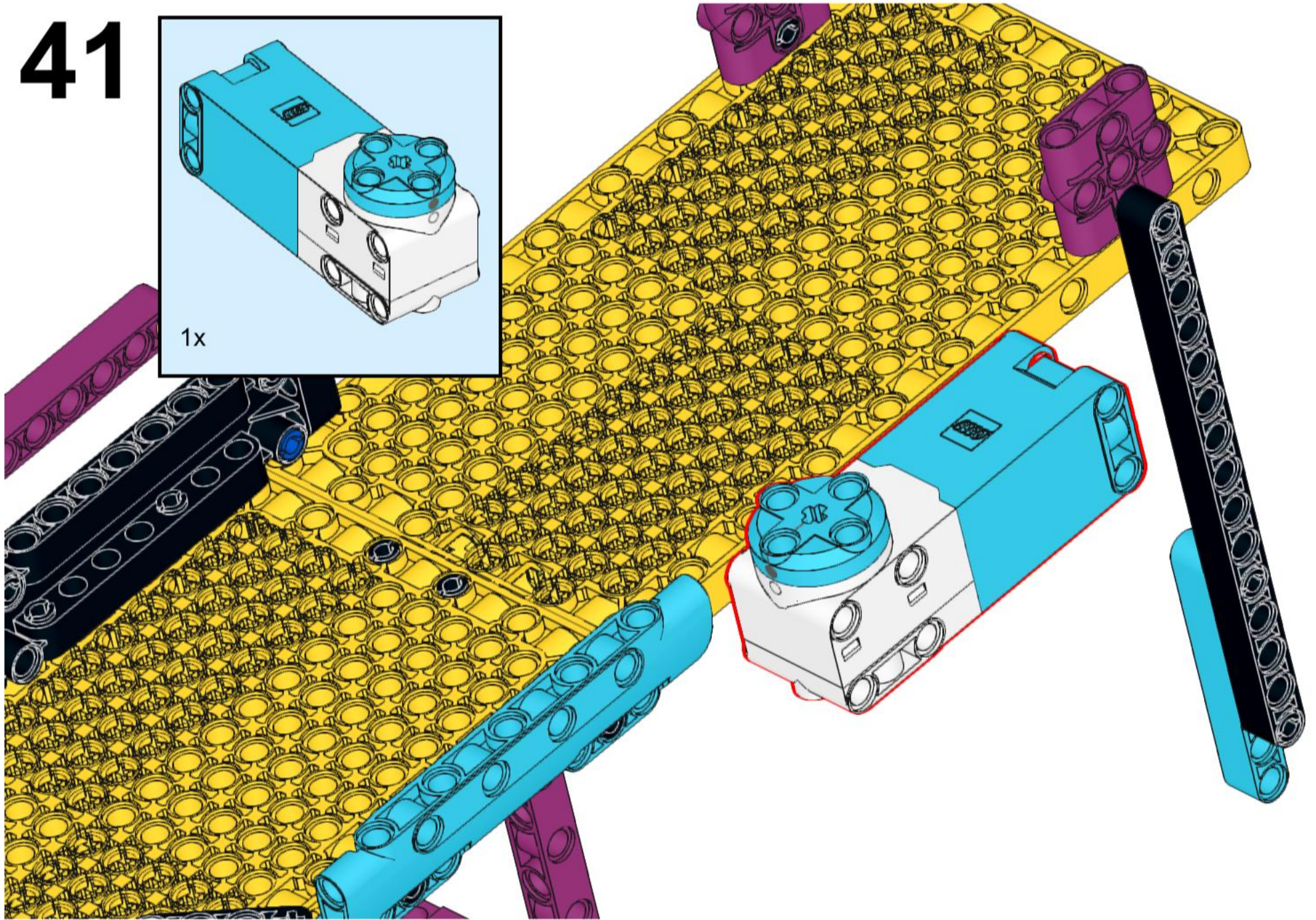
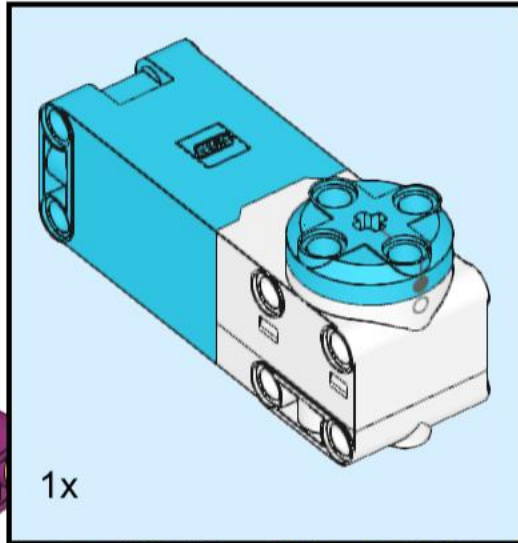


40

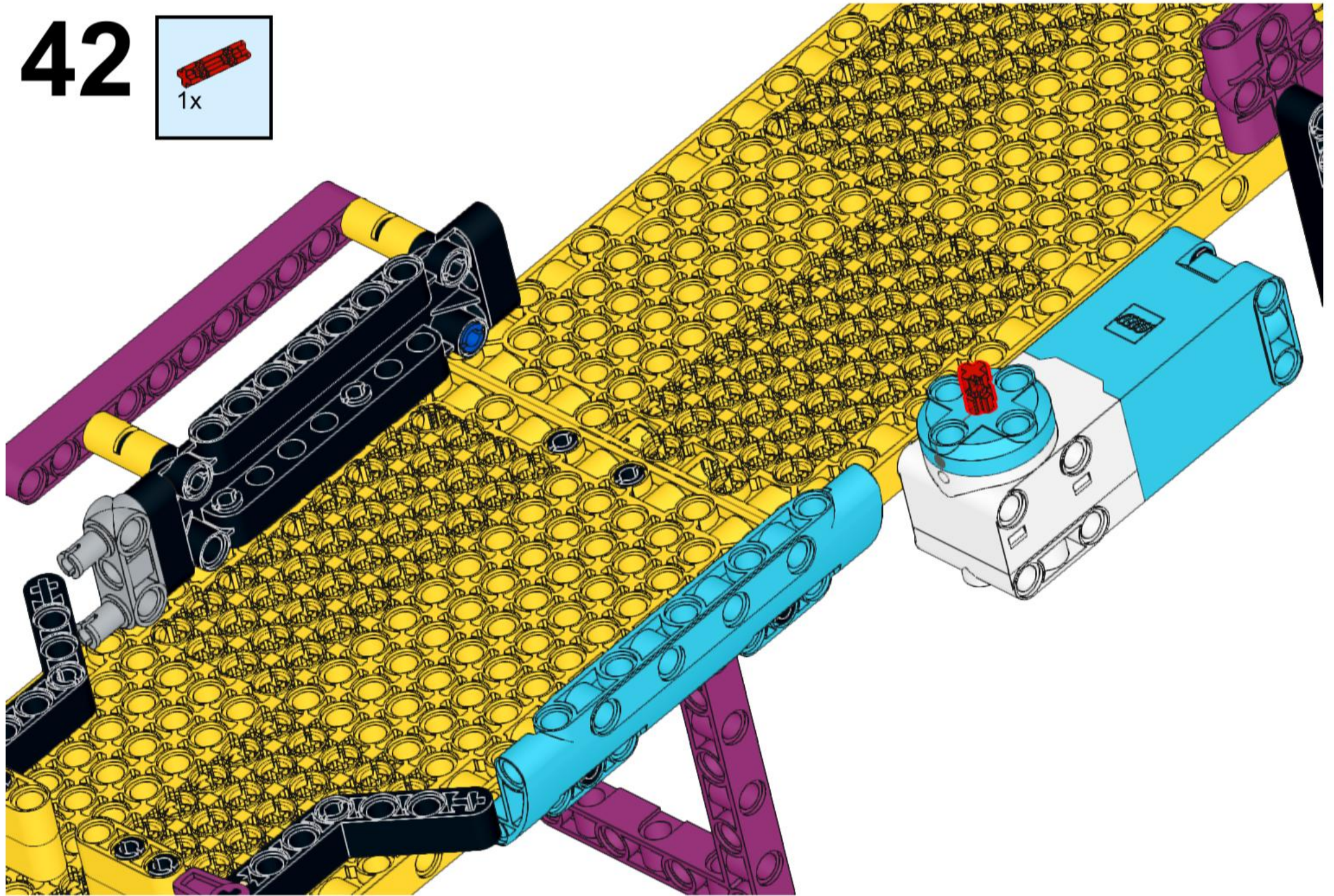
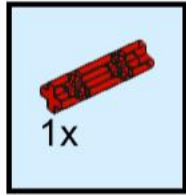




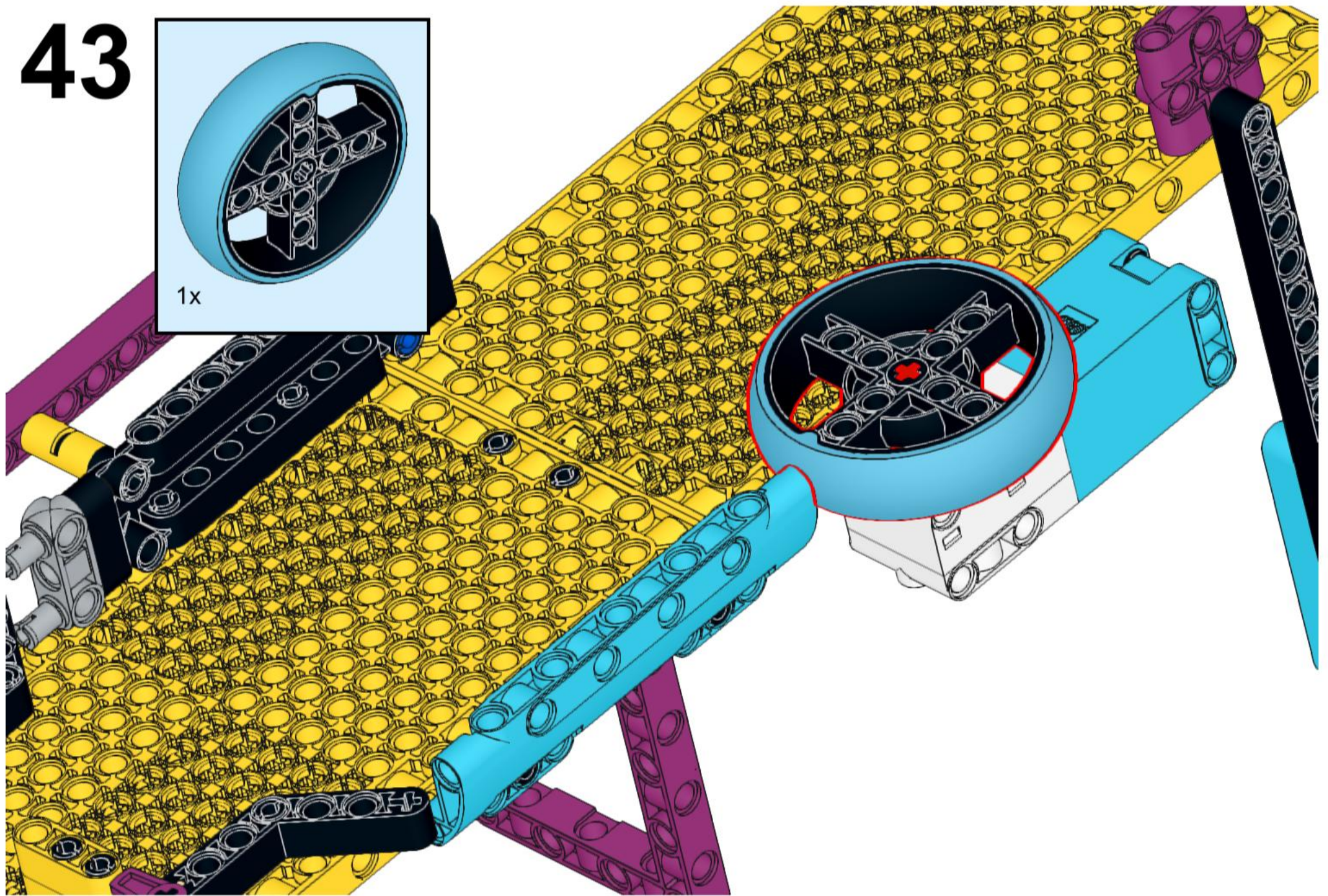
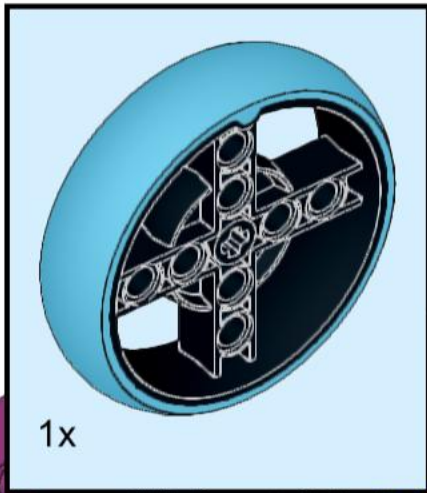
# 41



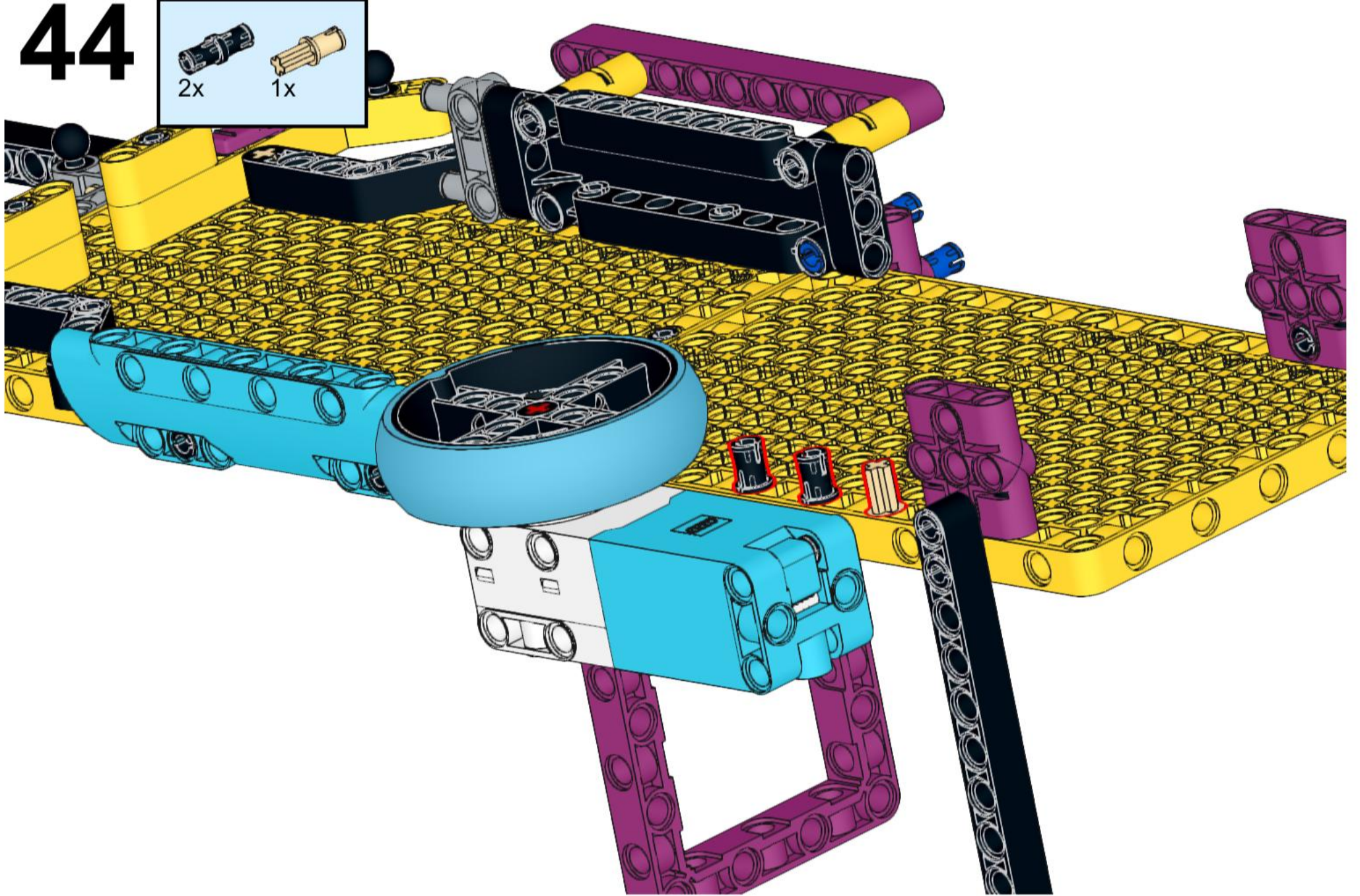
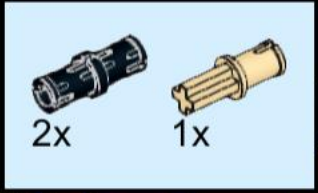
42



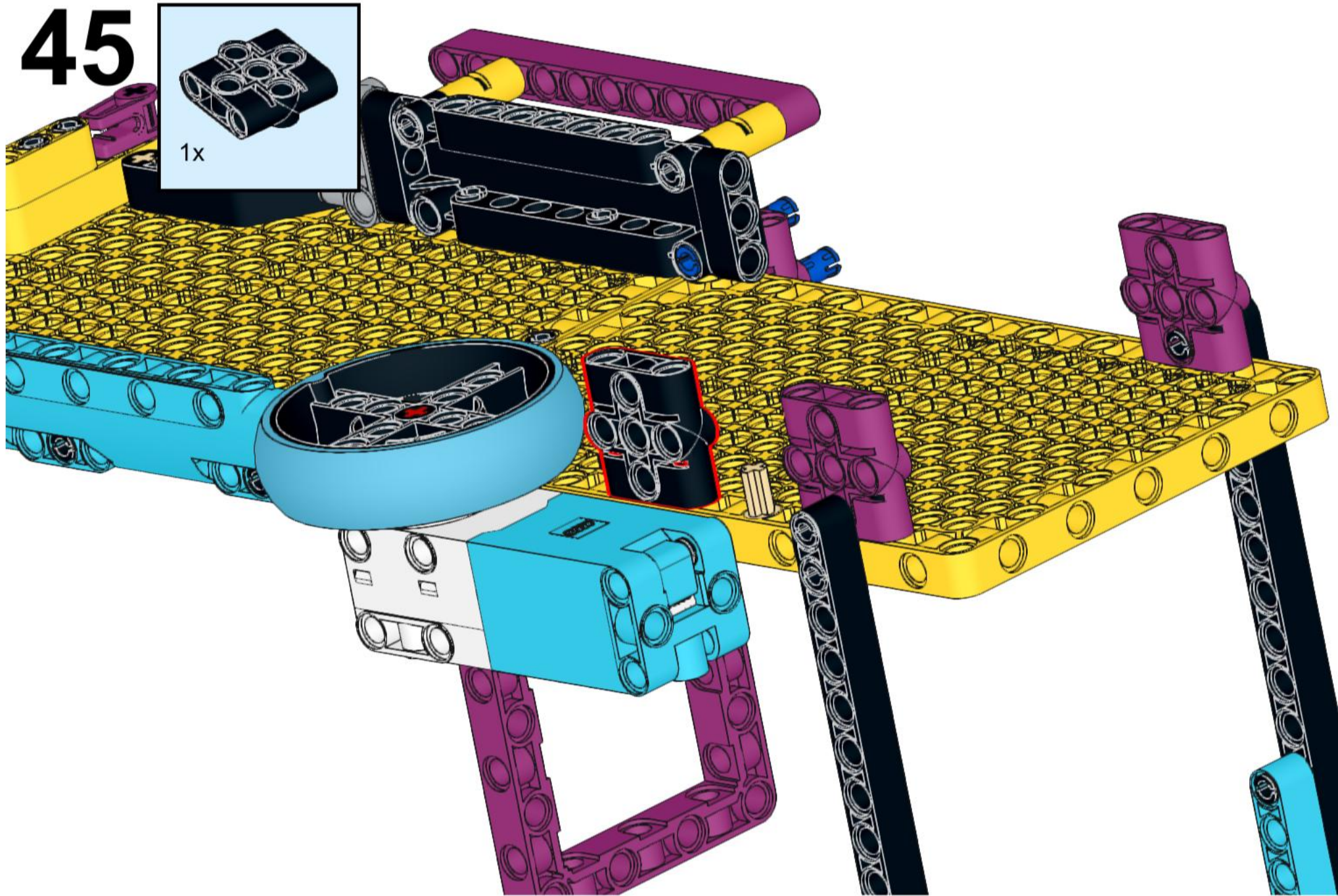
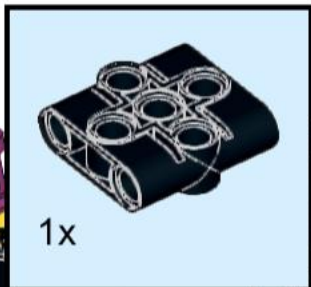
43



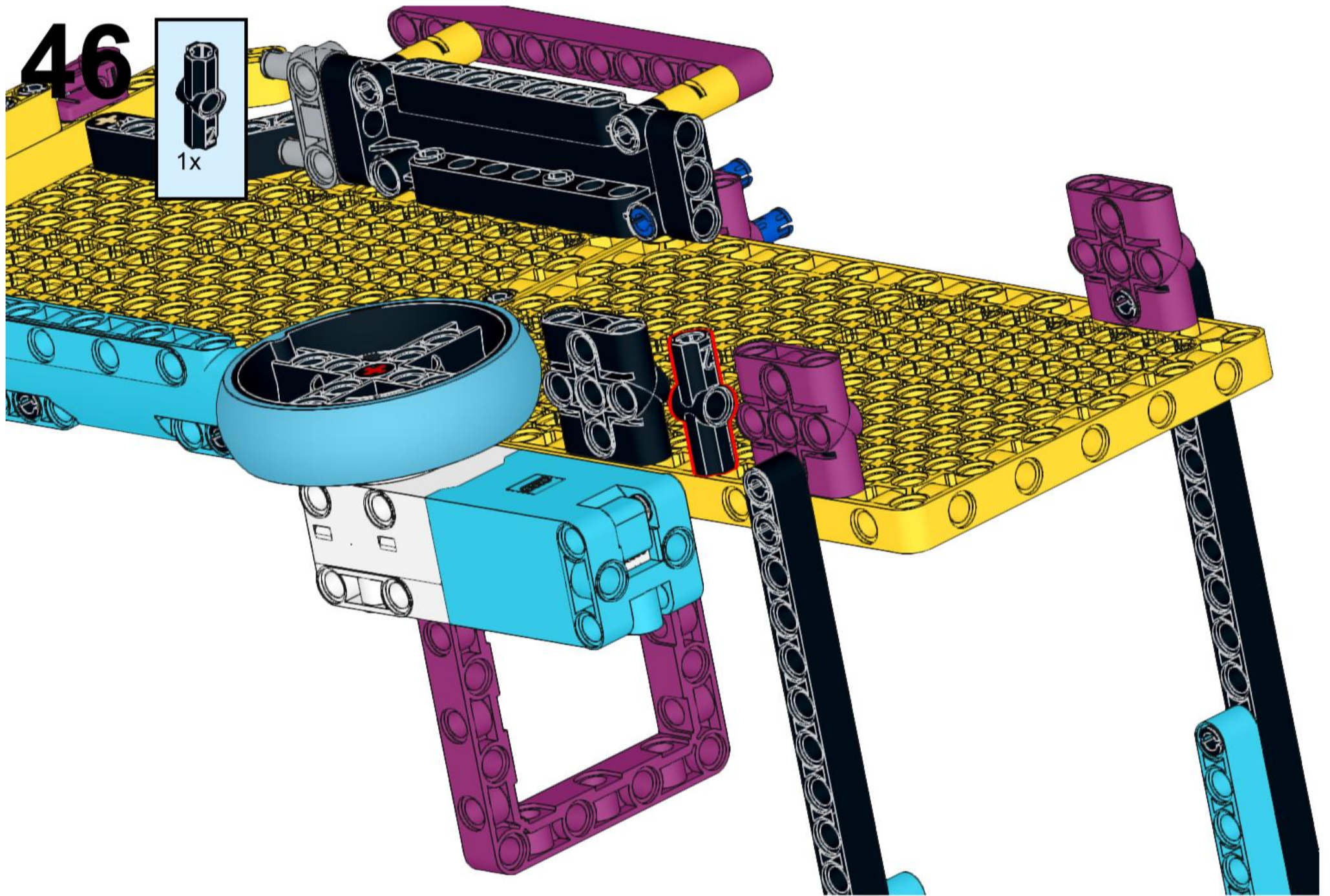
# 44



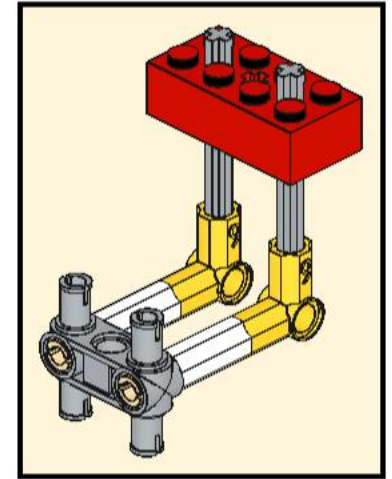
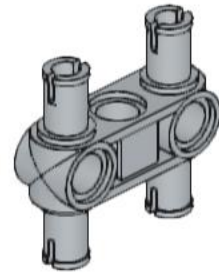
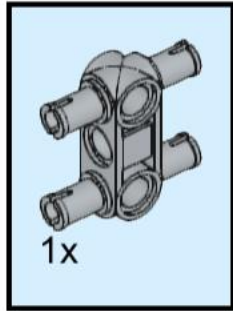
45



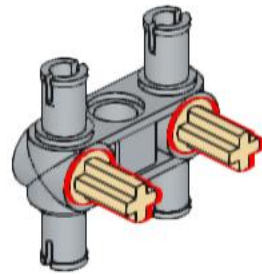
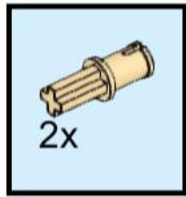
46



# 47

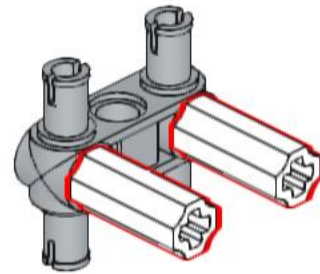
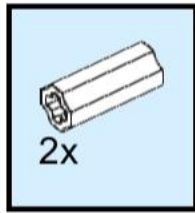


48

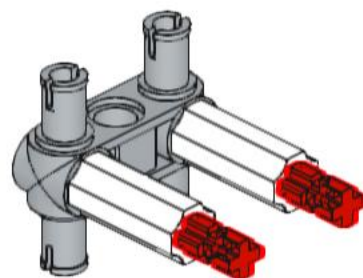
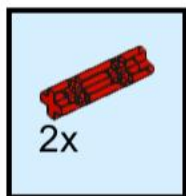




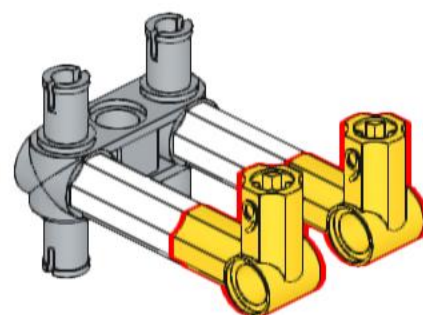
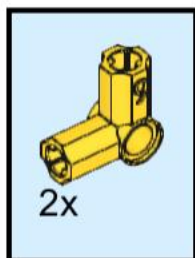
# 49



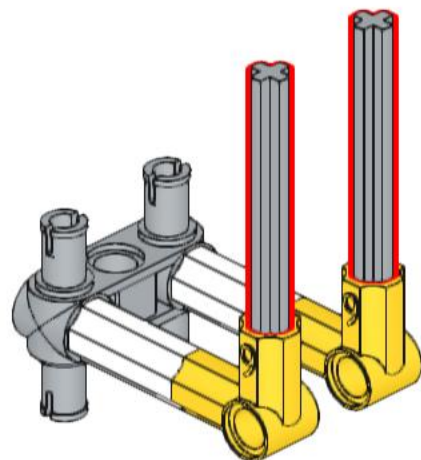
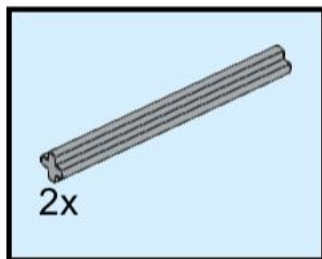
50



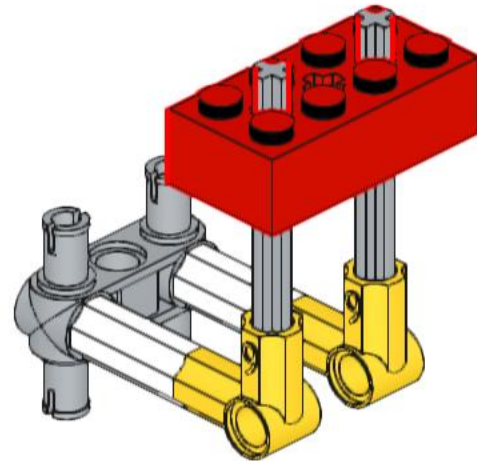
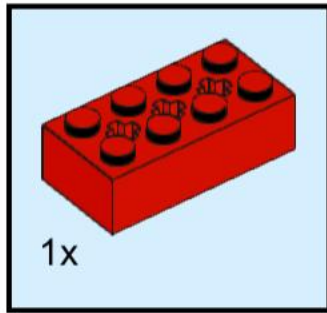
# 51

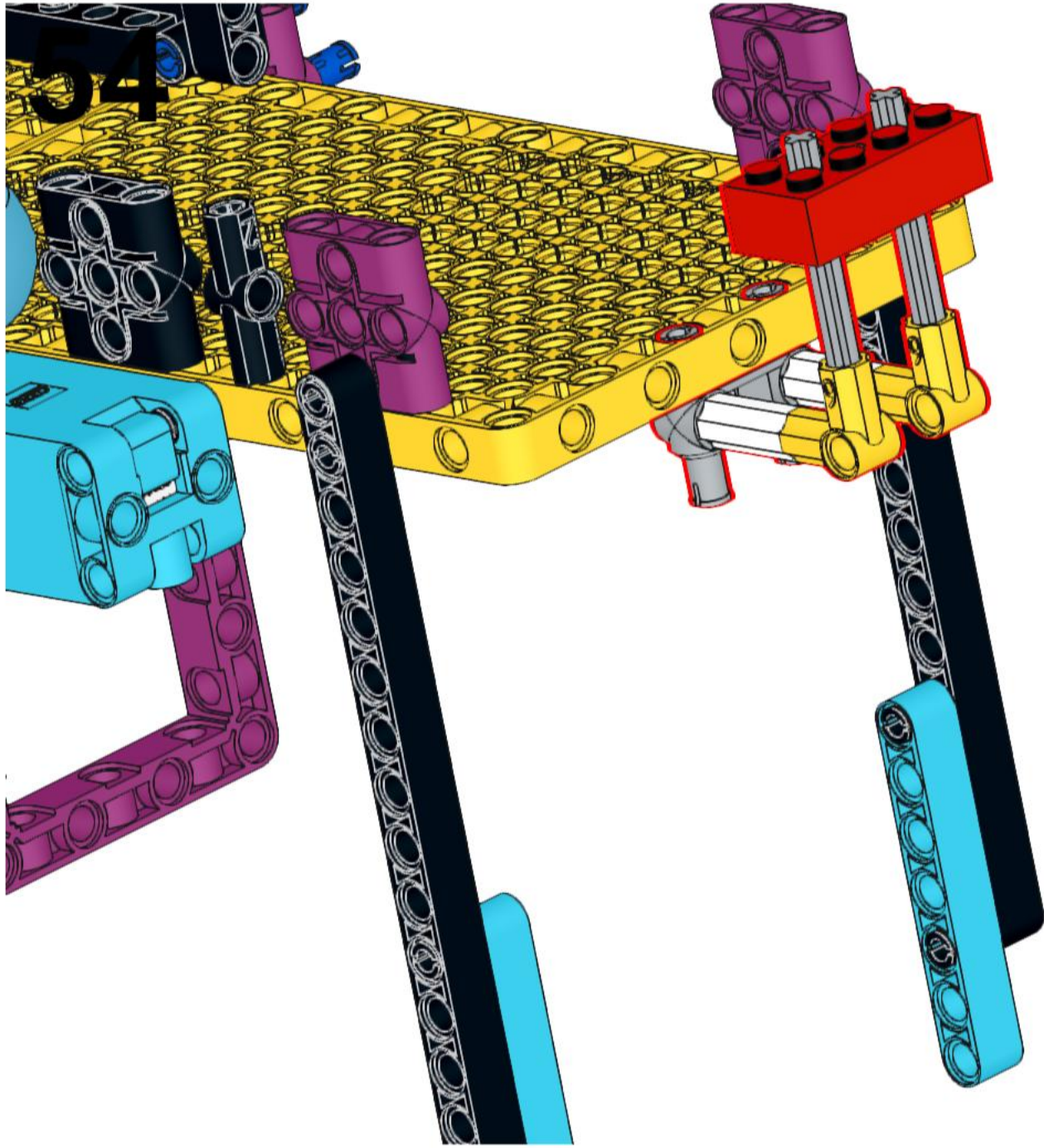


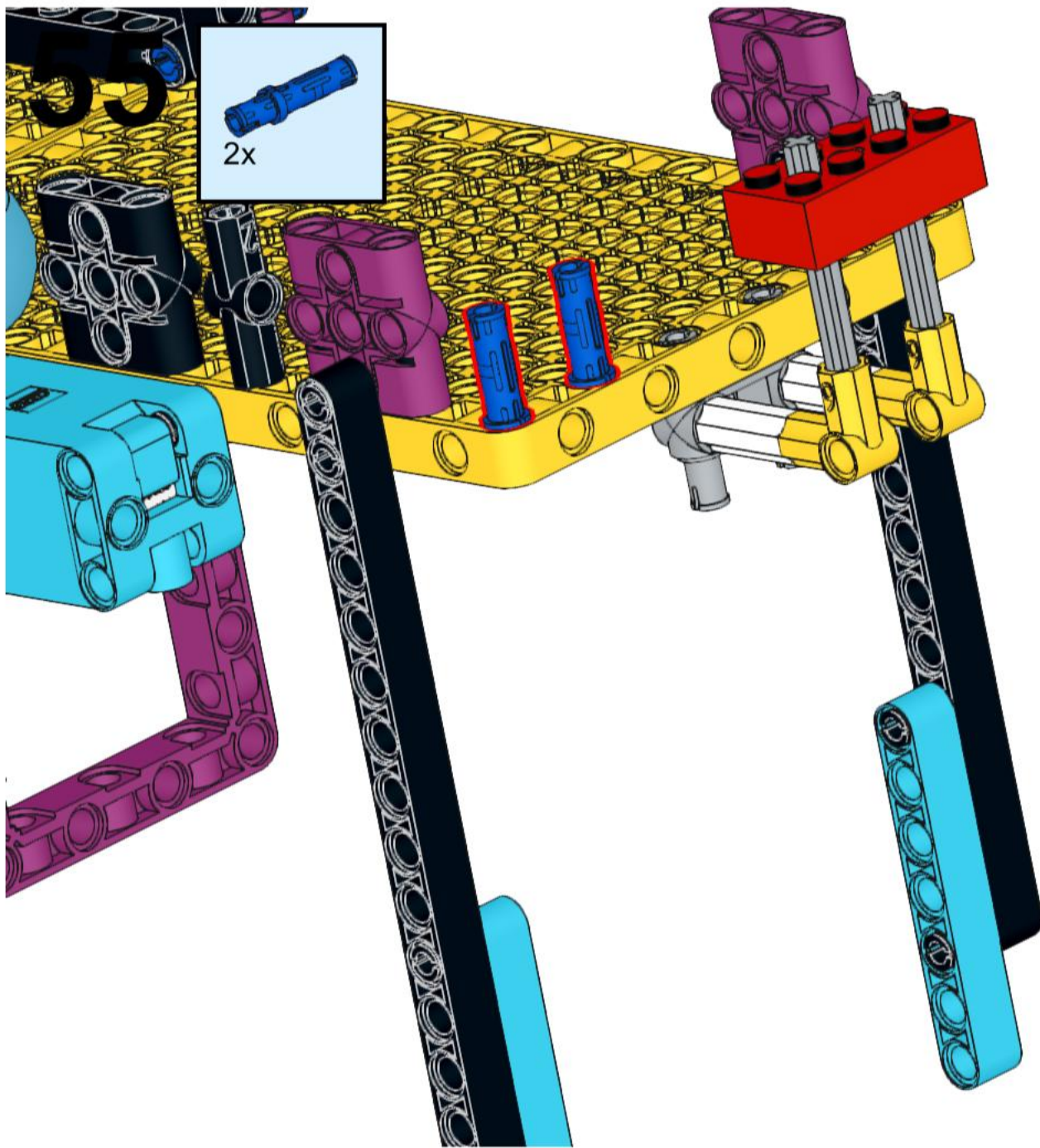
# 52

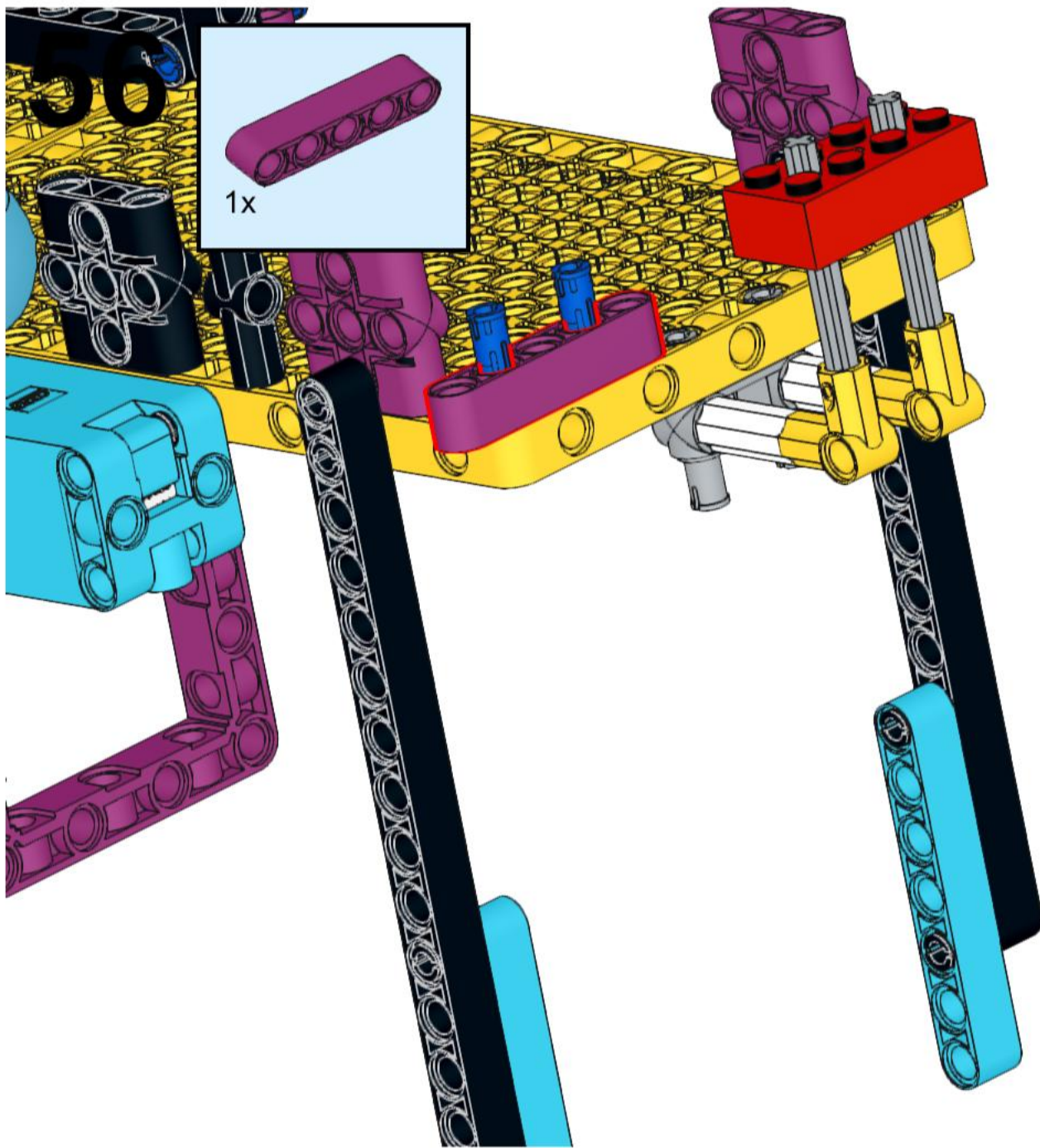


# 53

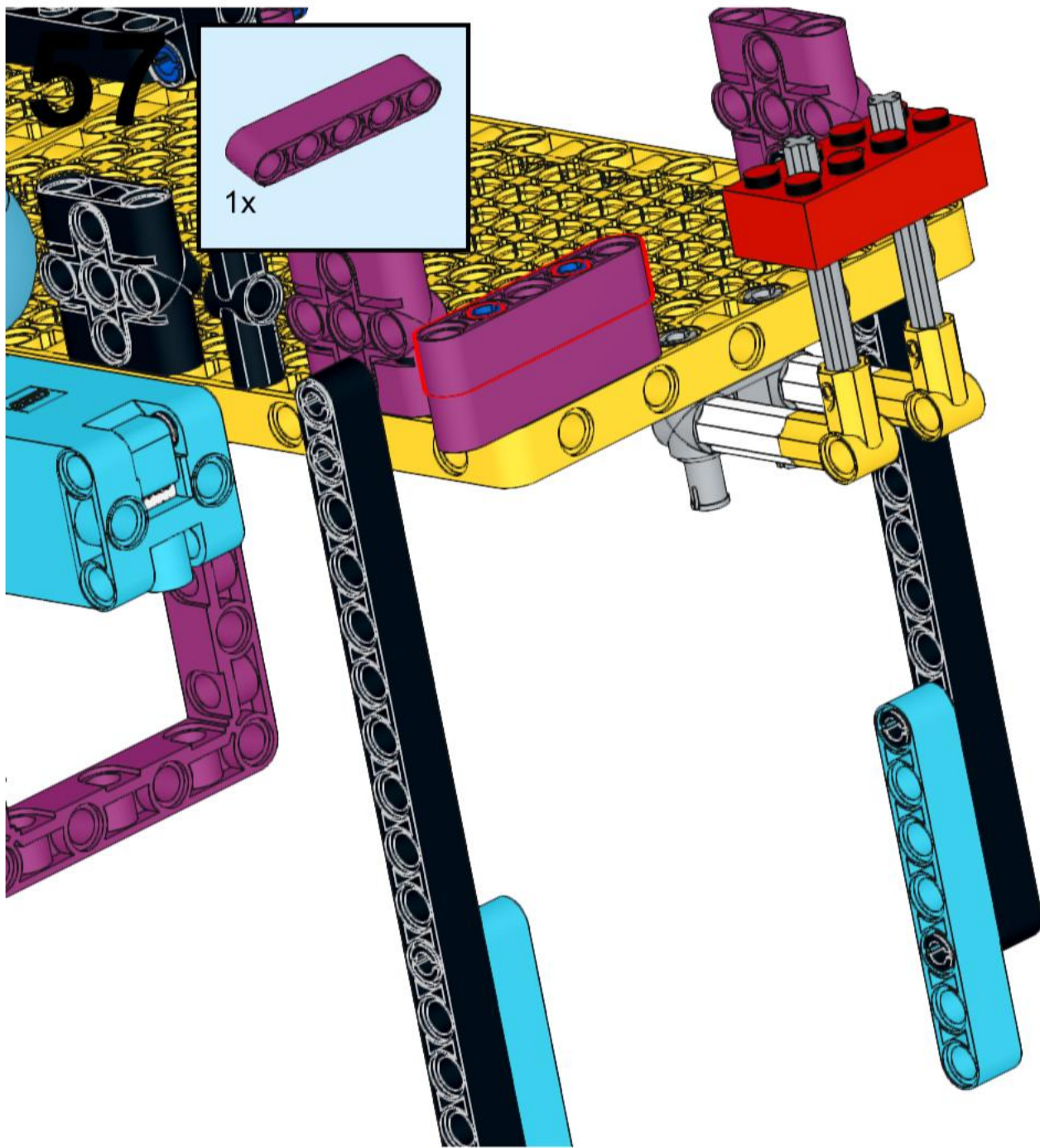




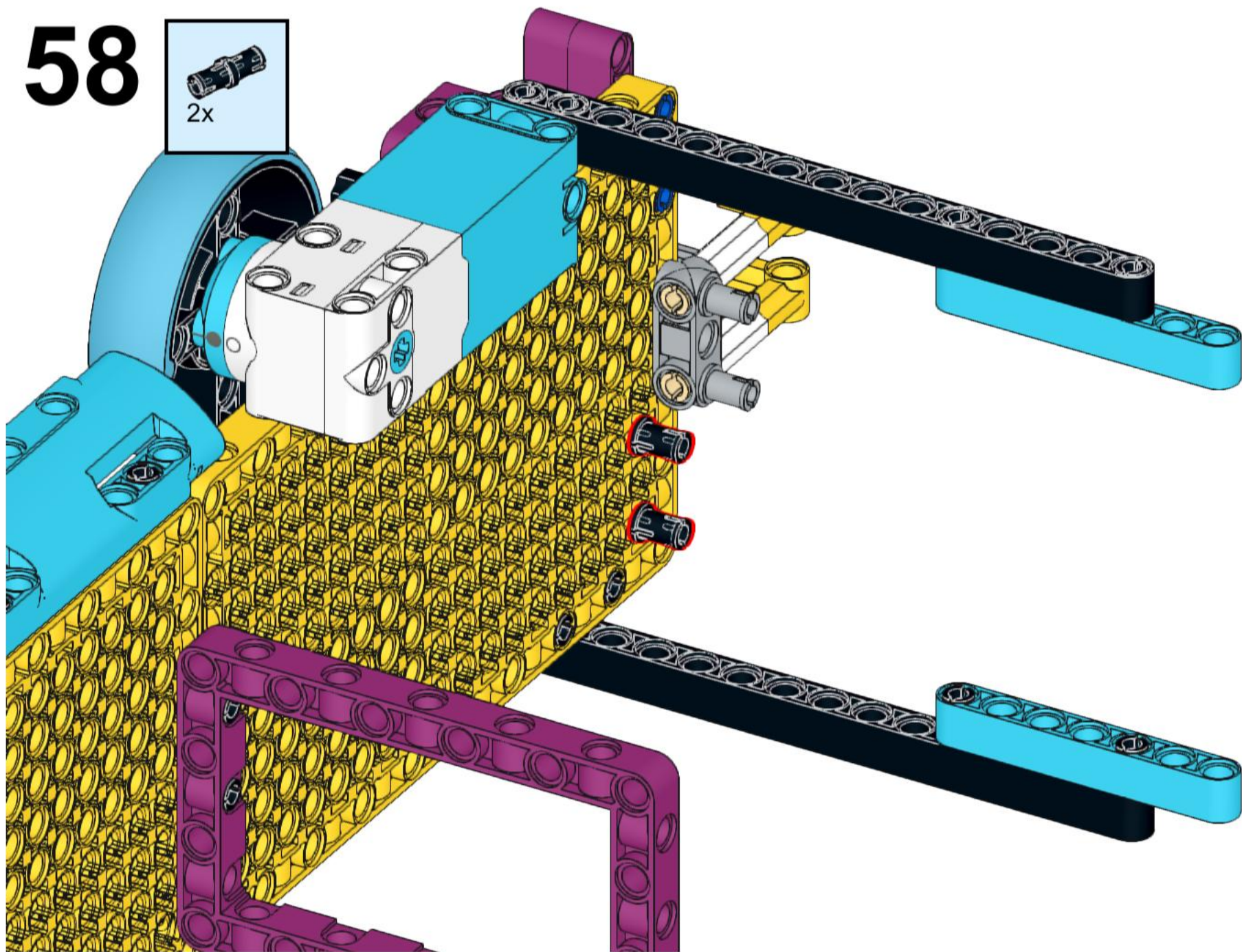




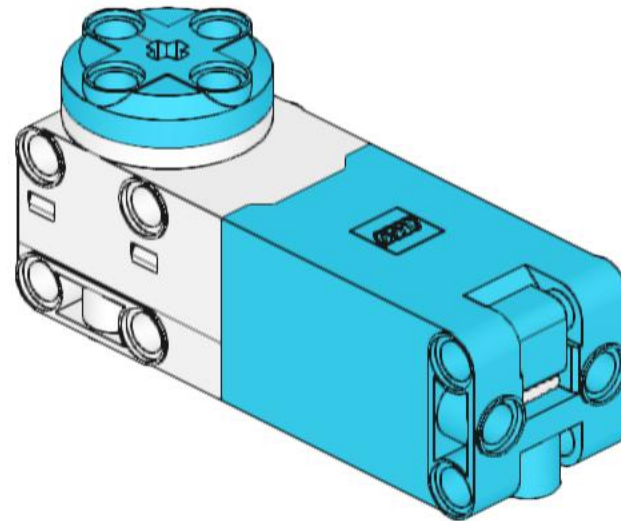
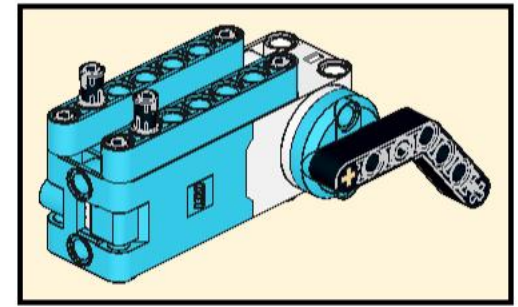
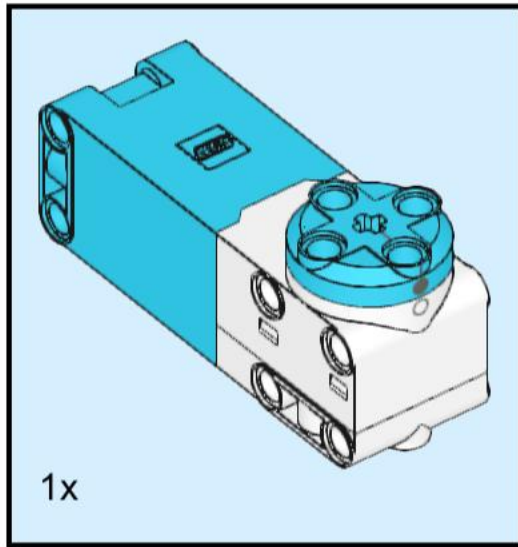




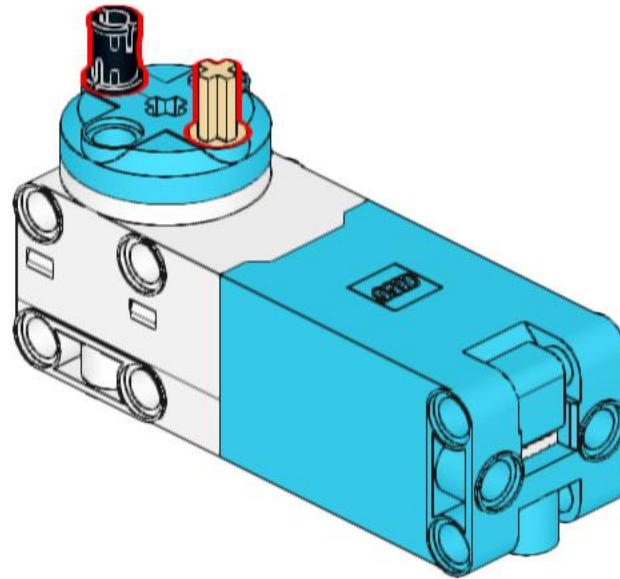
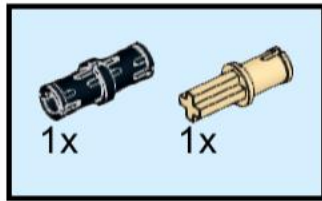
# 58



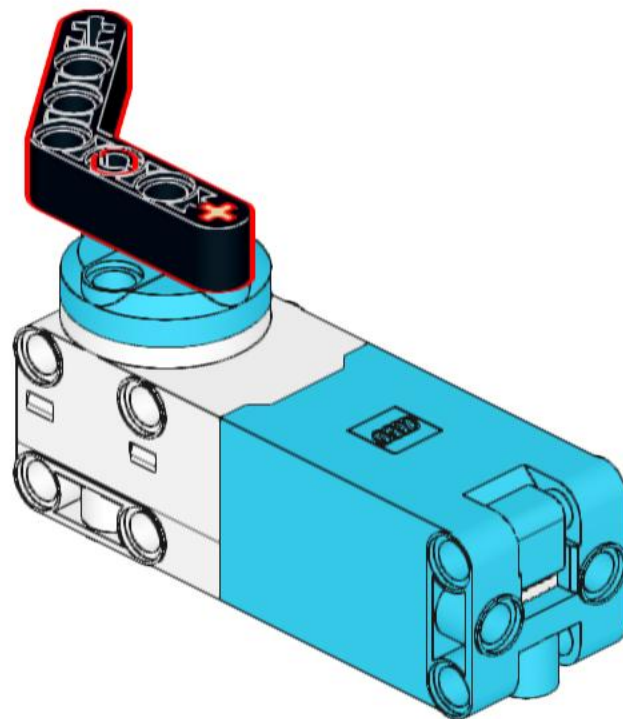
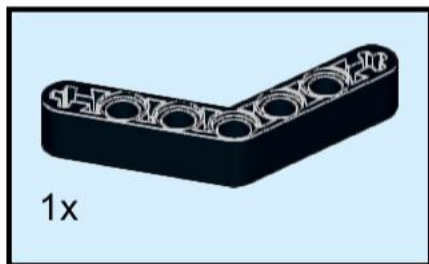
# 59



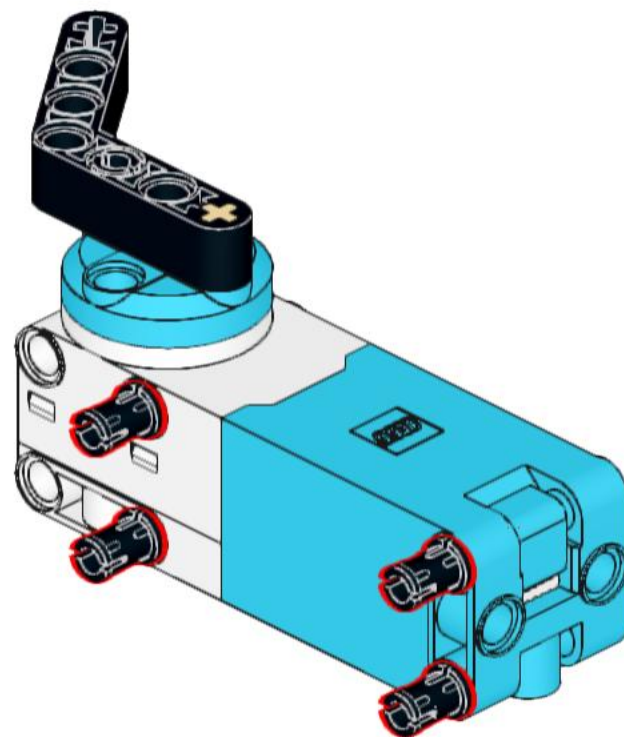
# 60



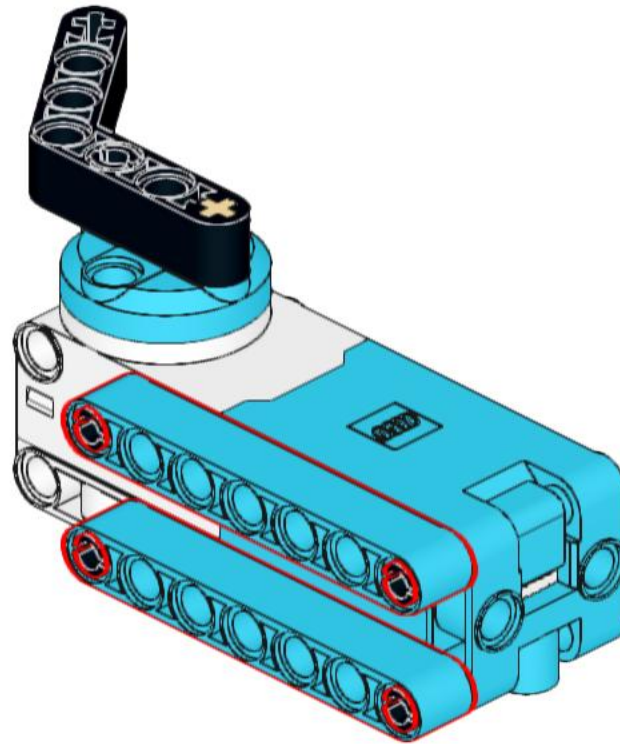
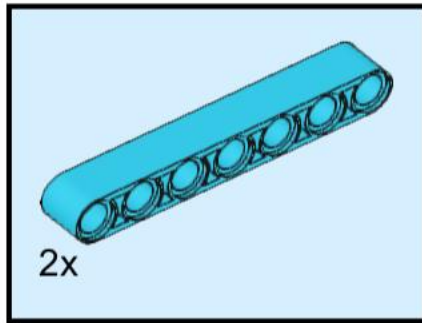
# 61



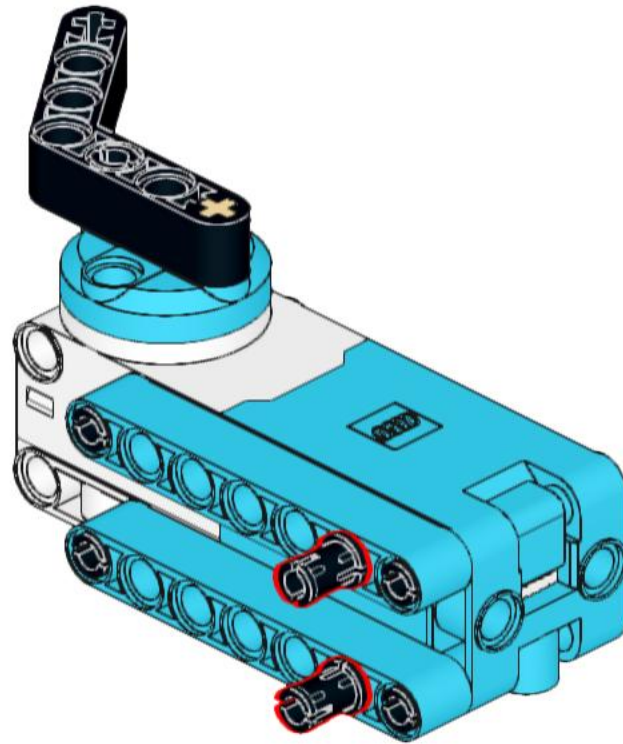
# 62



# 63

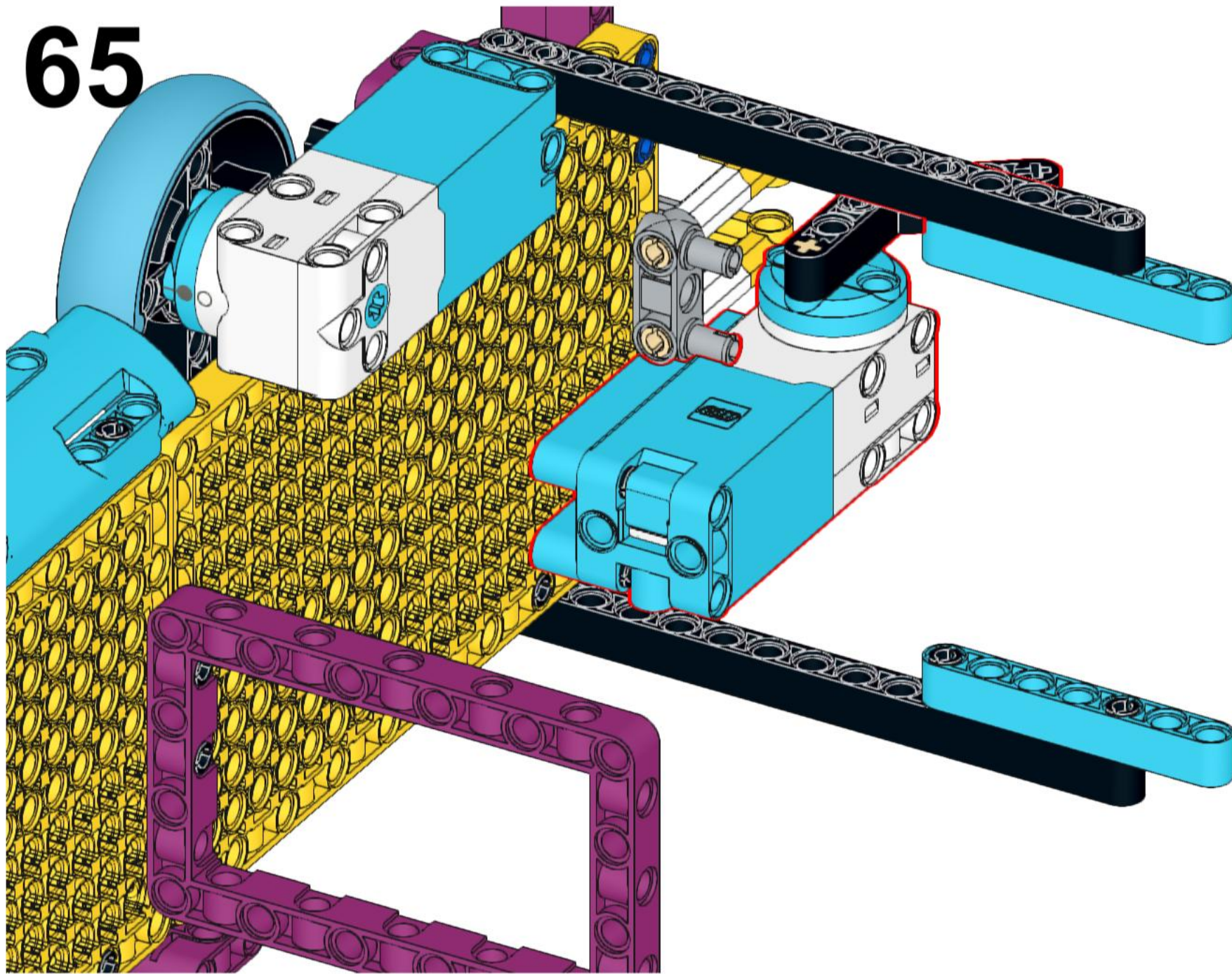


64

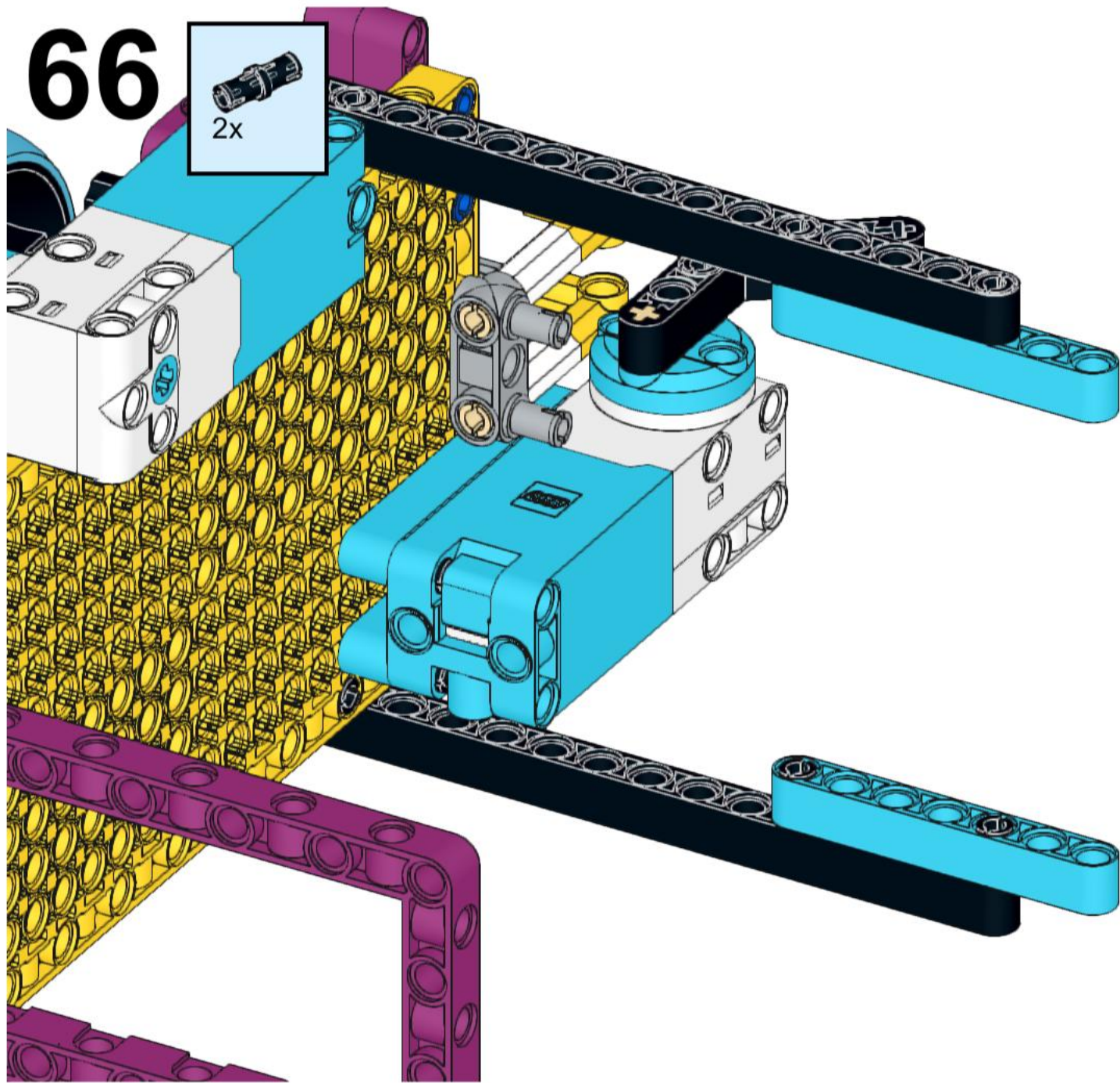




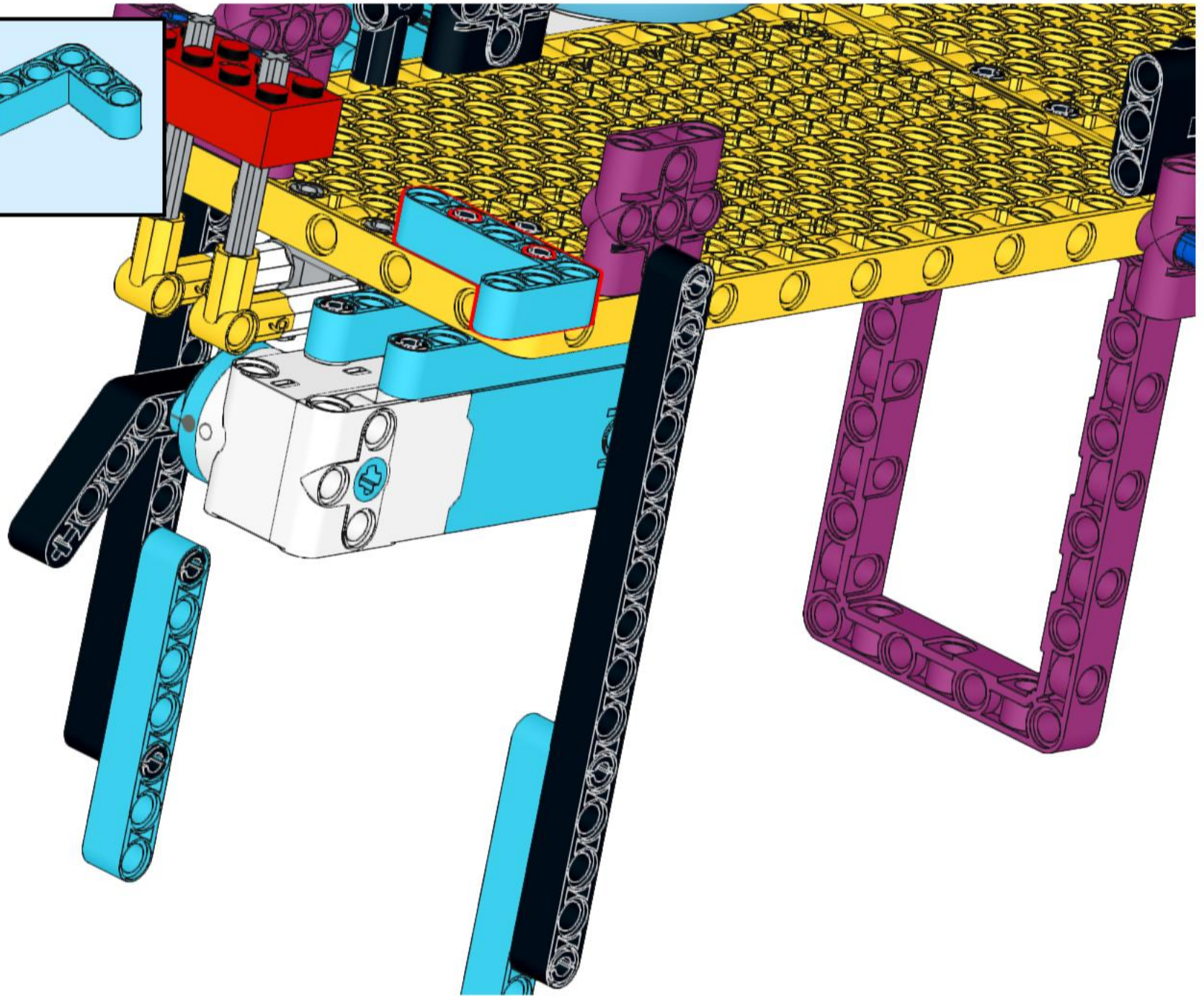
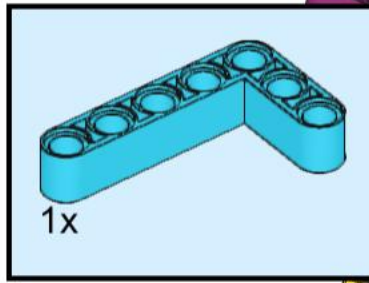
65



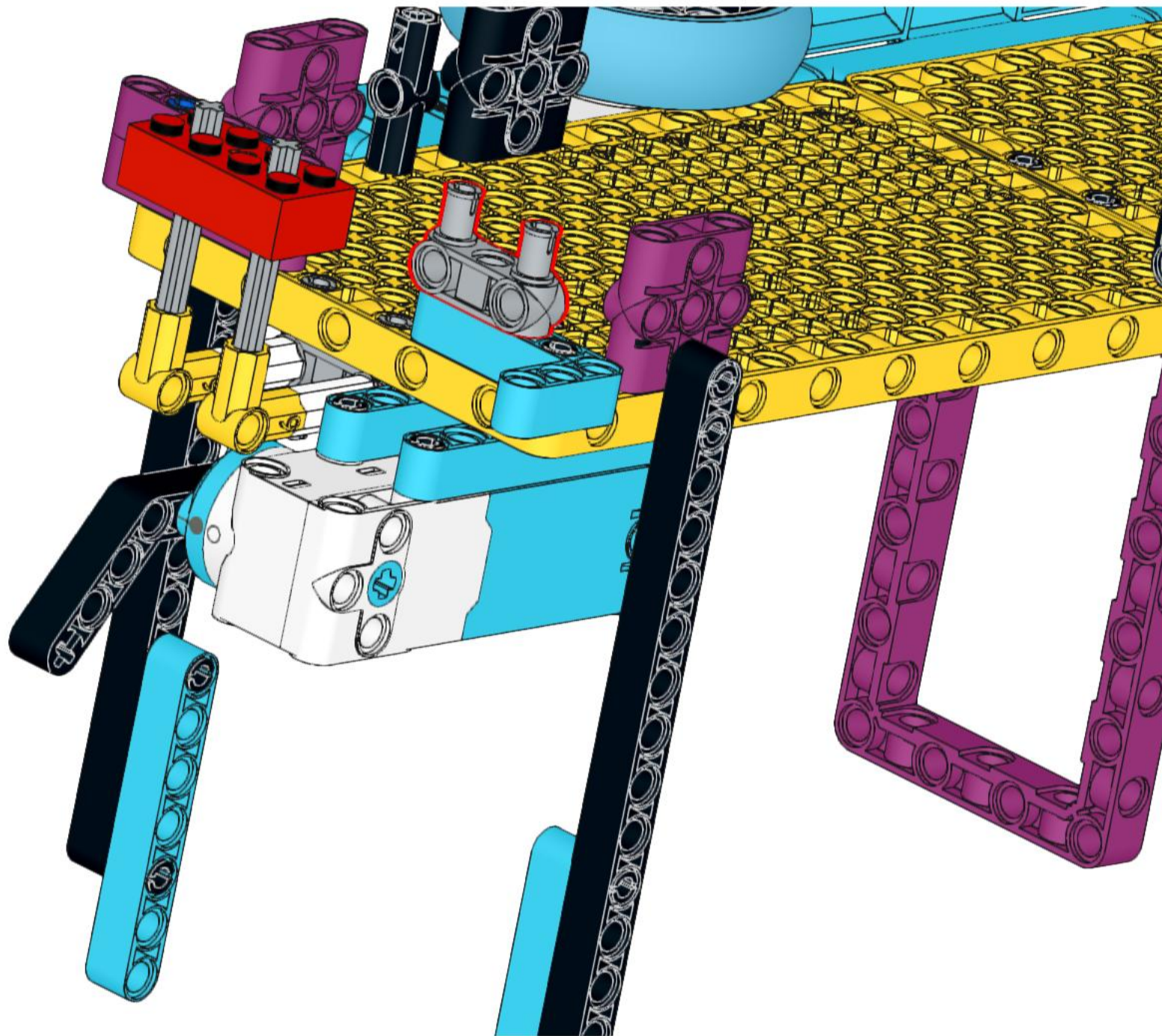
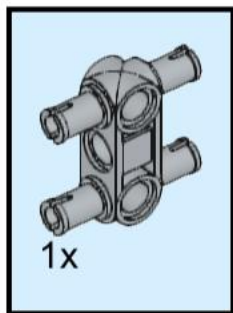
66



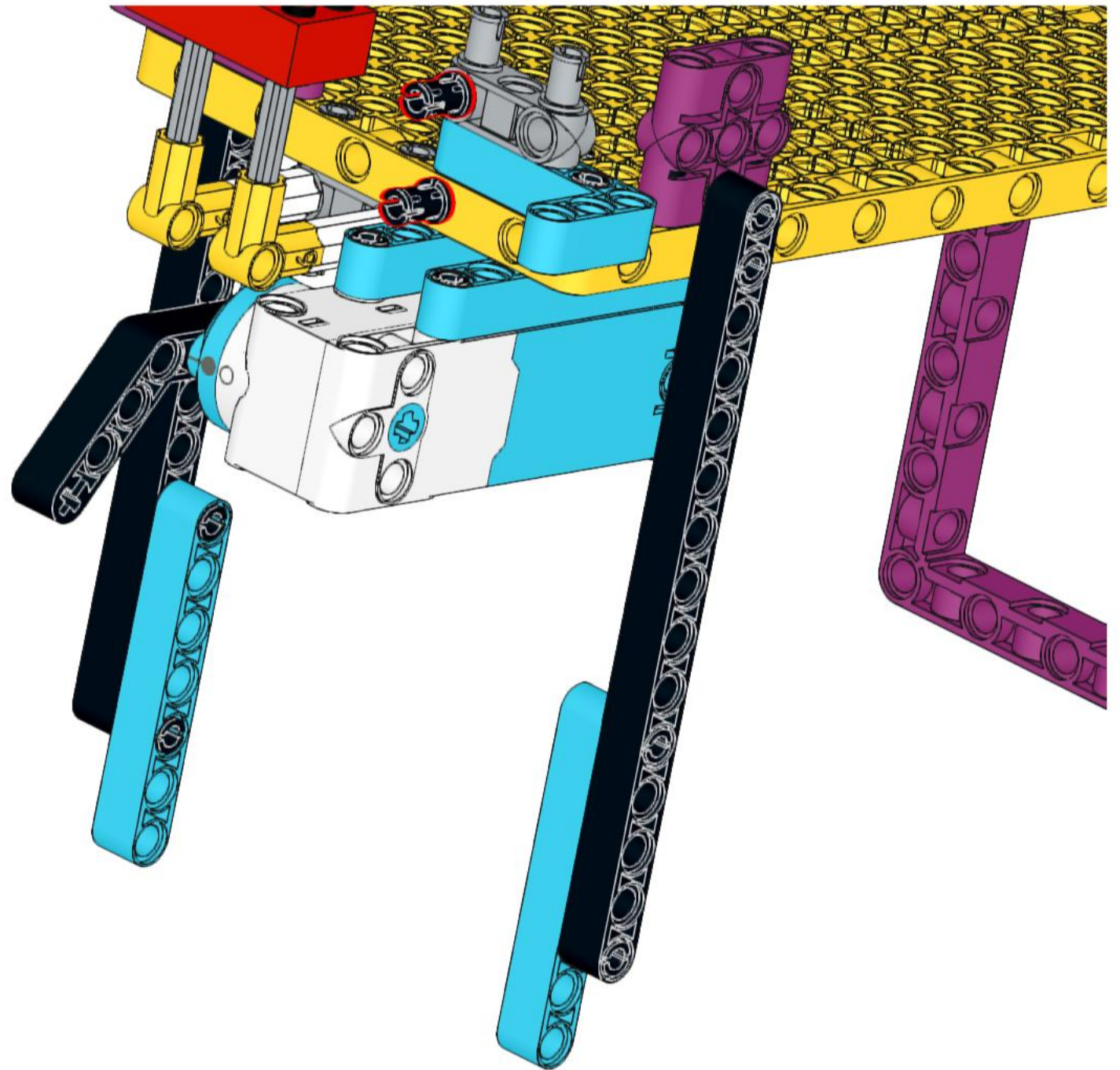
67



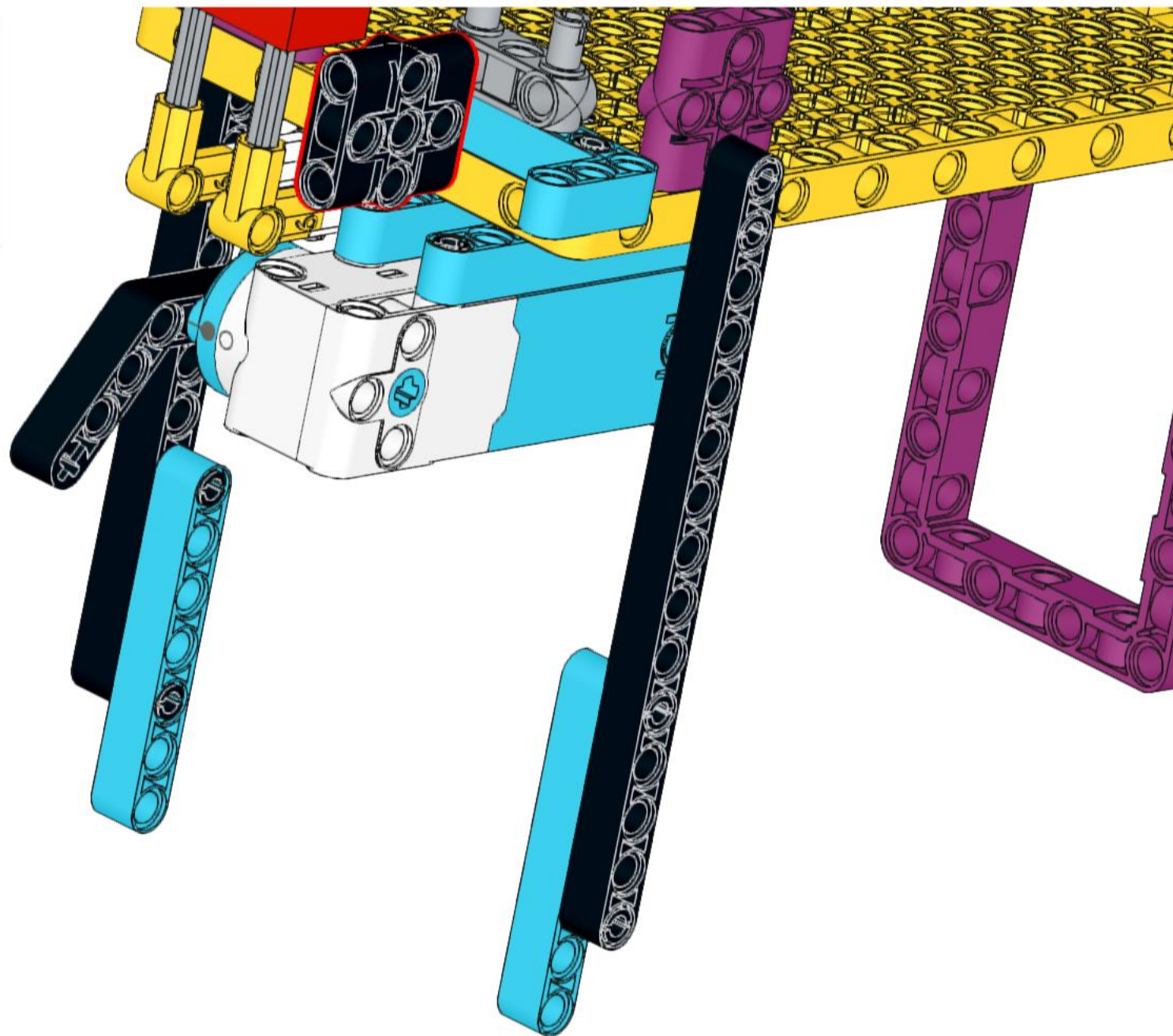
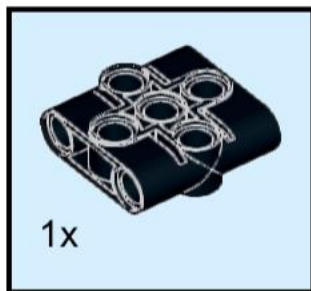
# 68

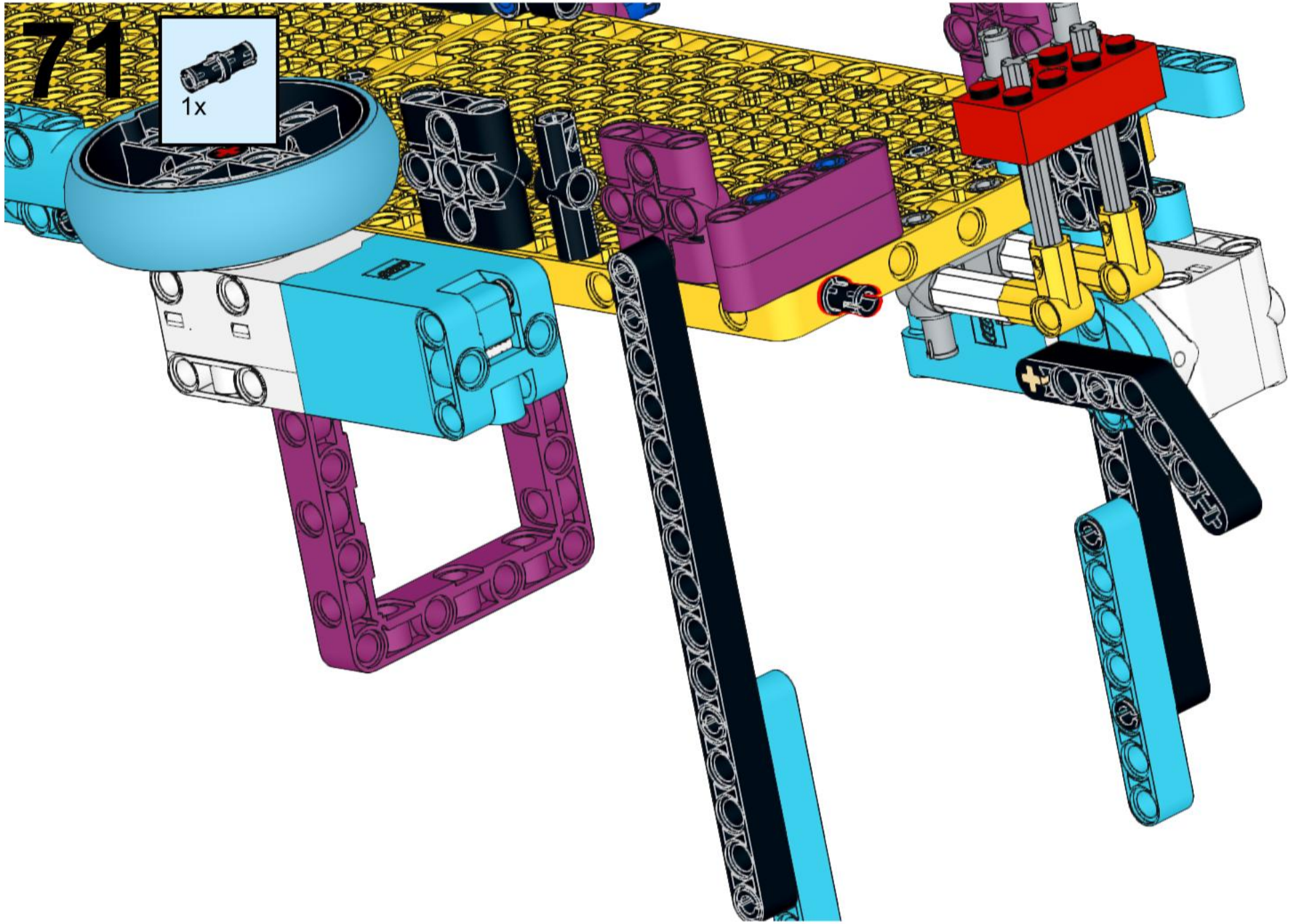


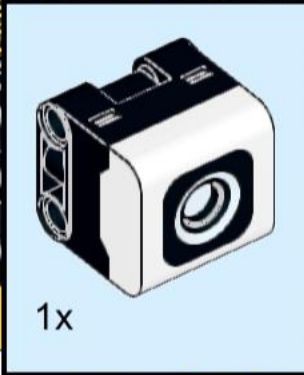
# 69



# 70

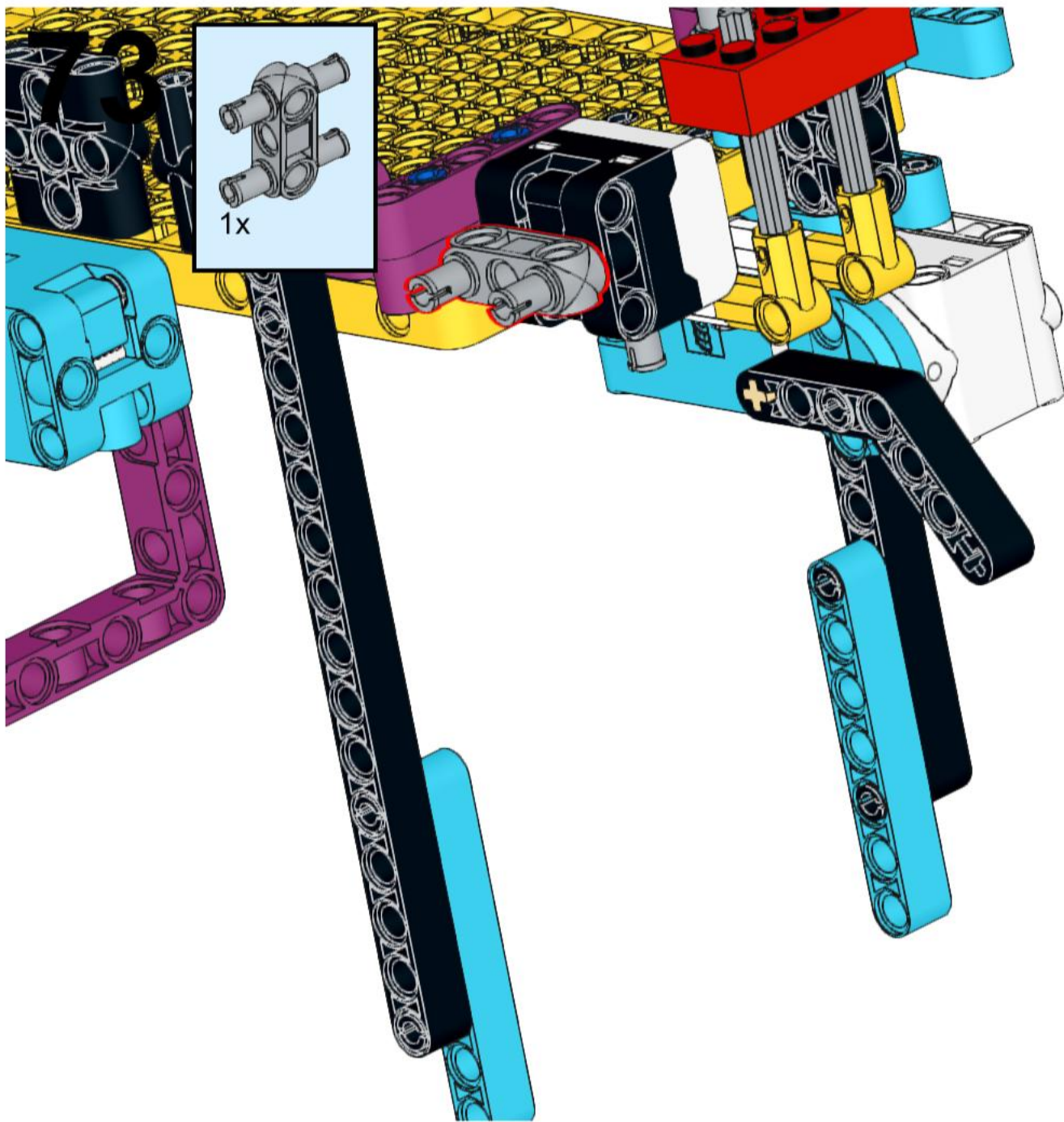


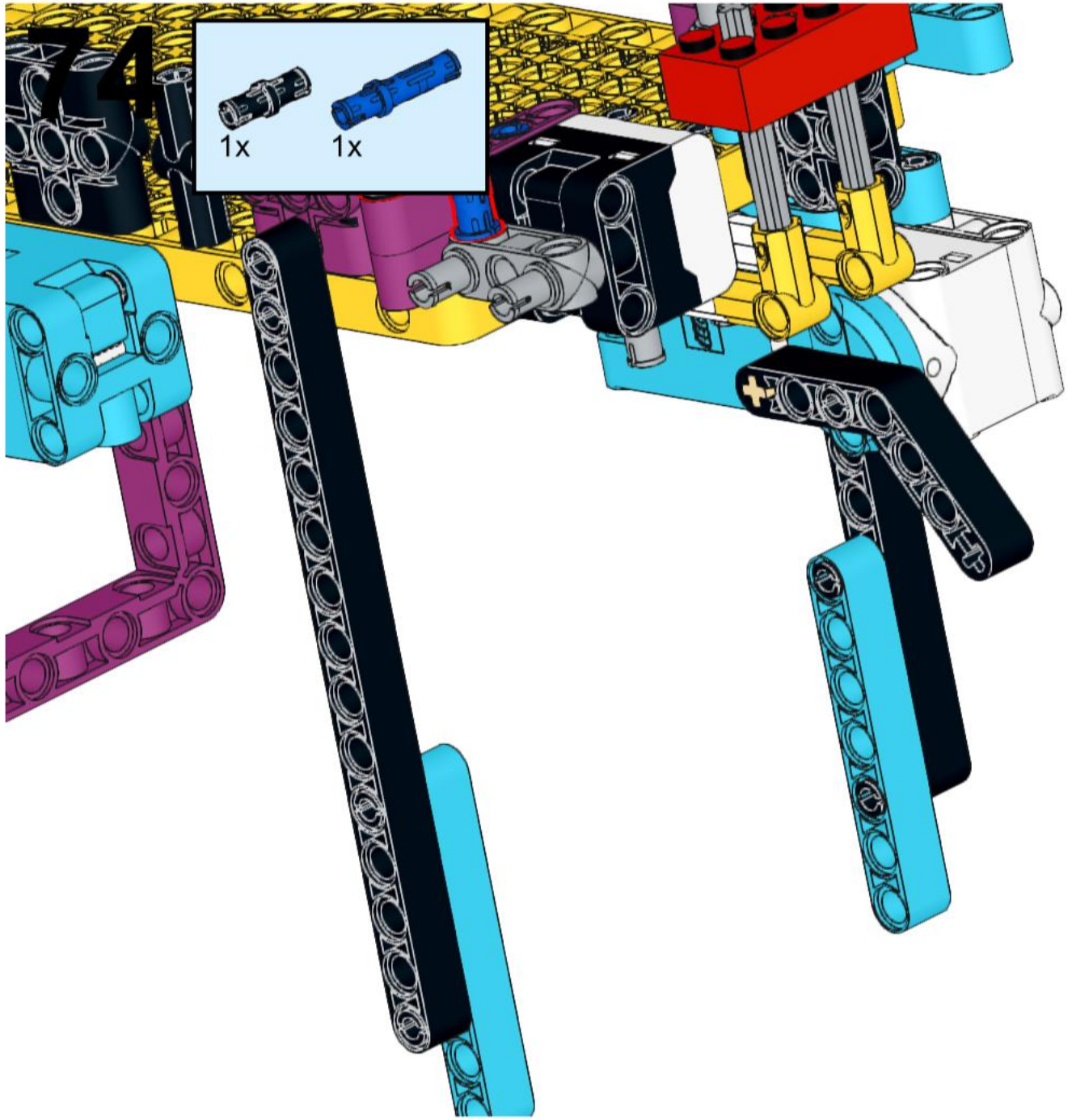




1x



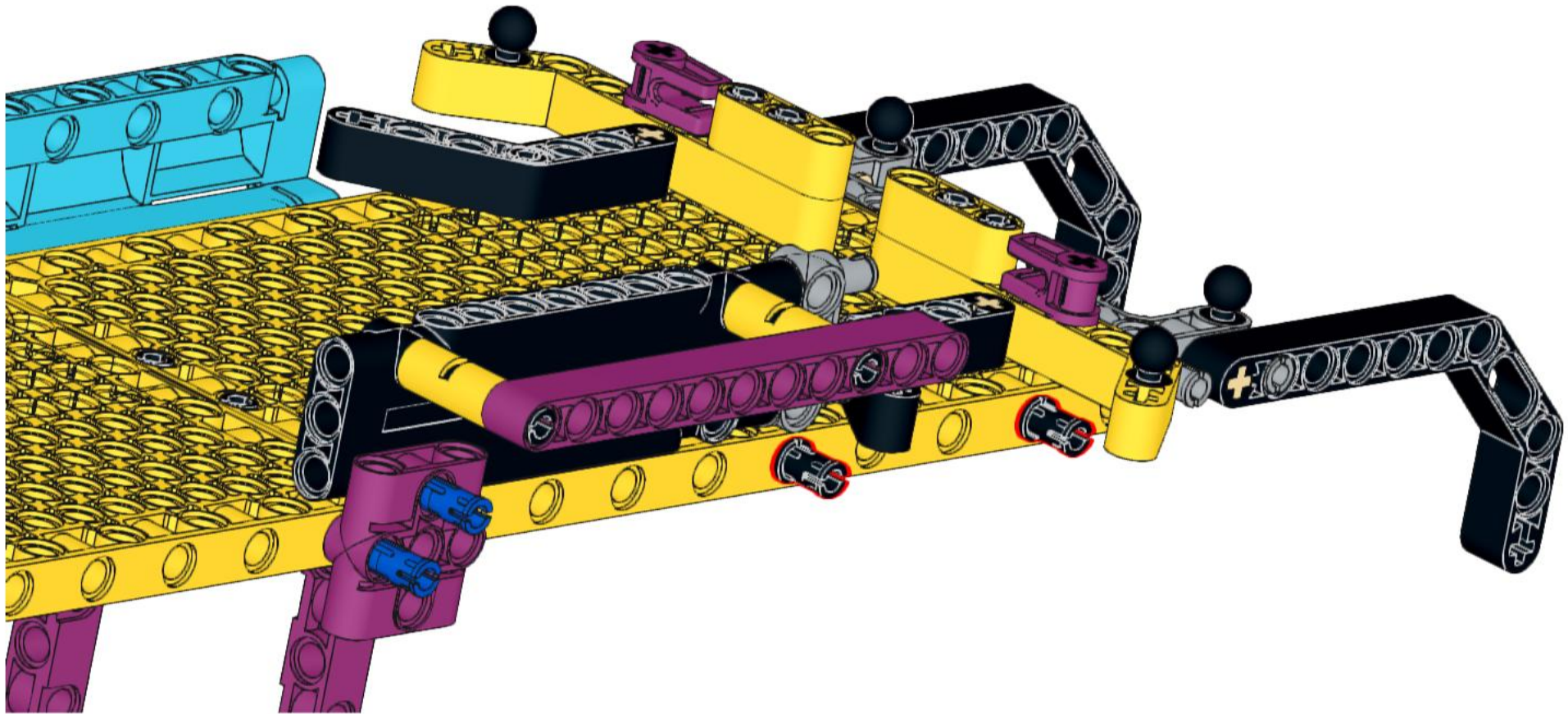


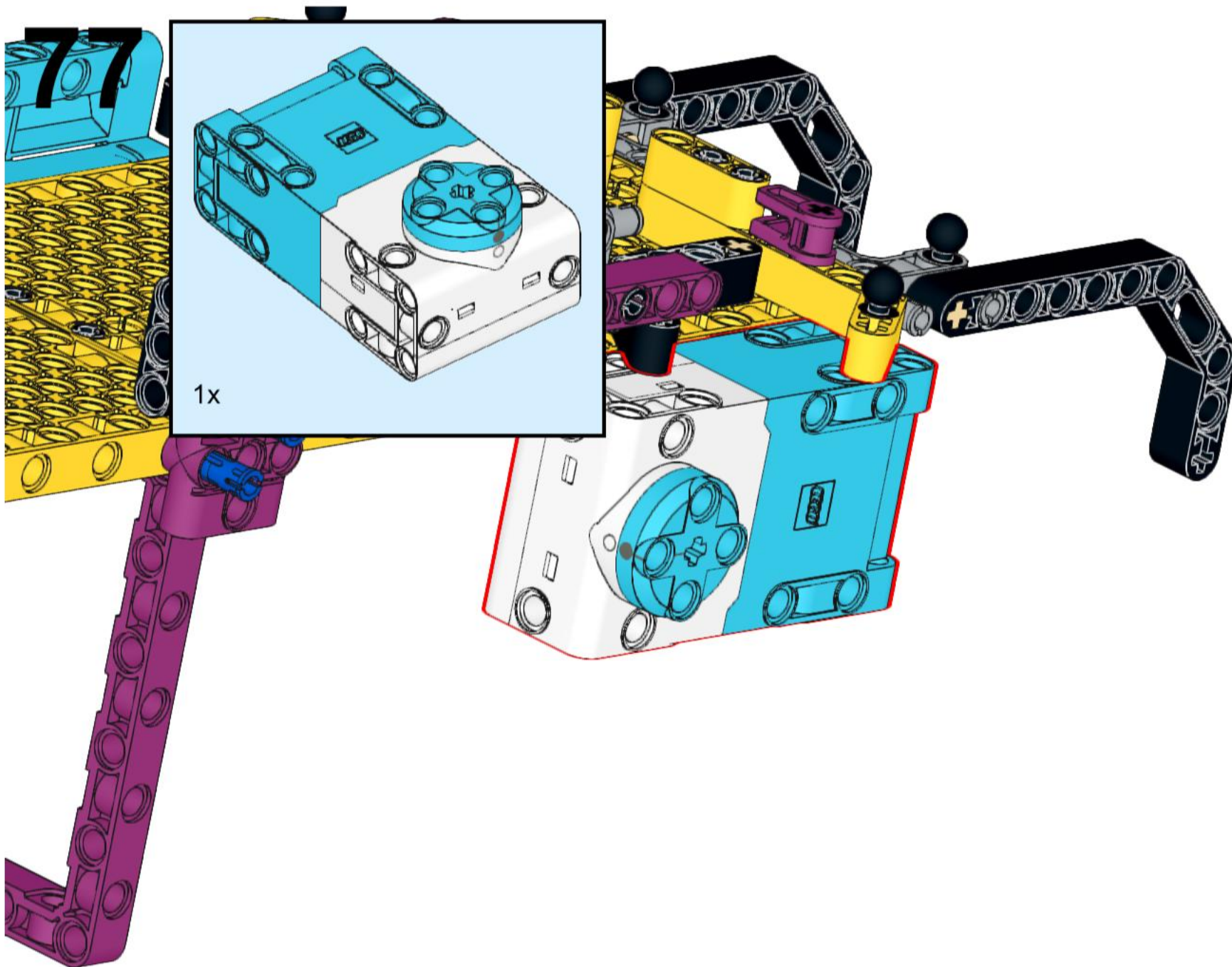




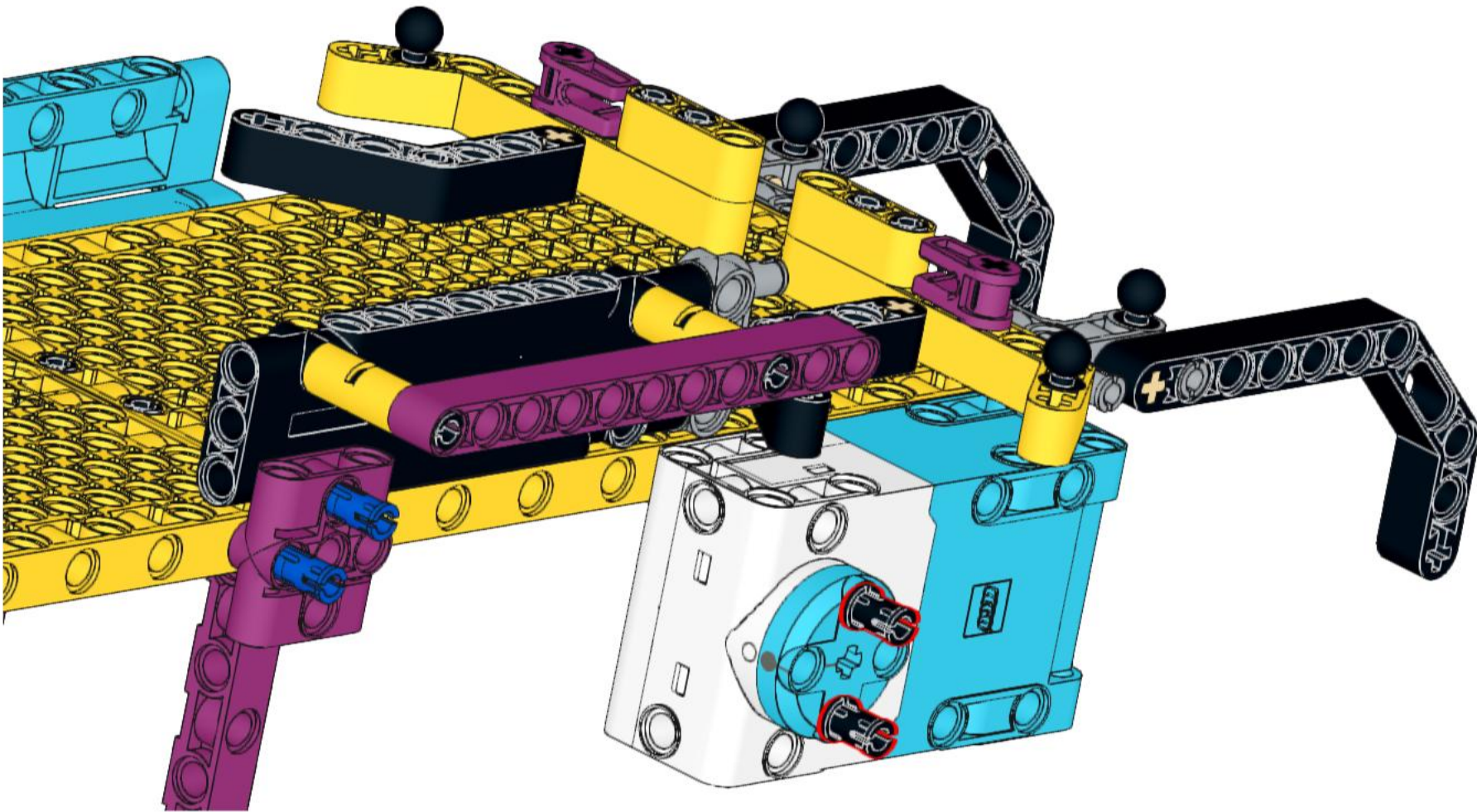
1x

# 76

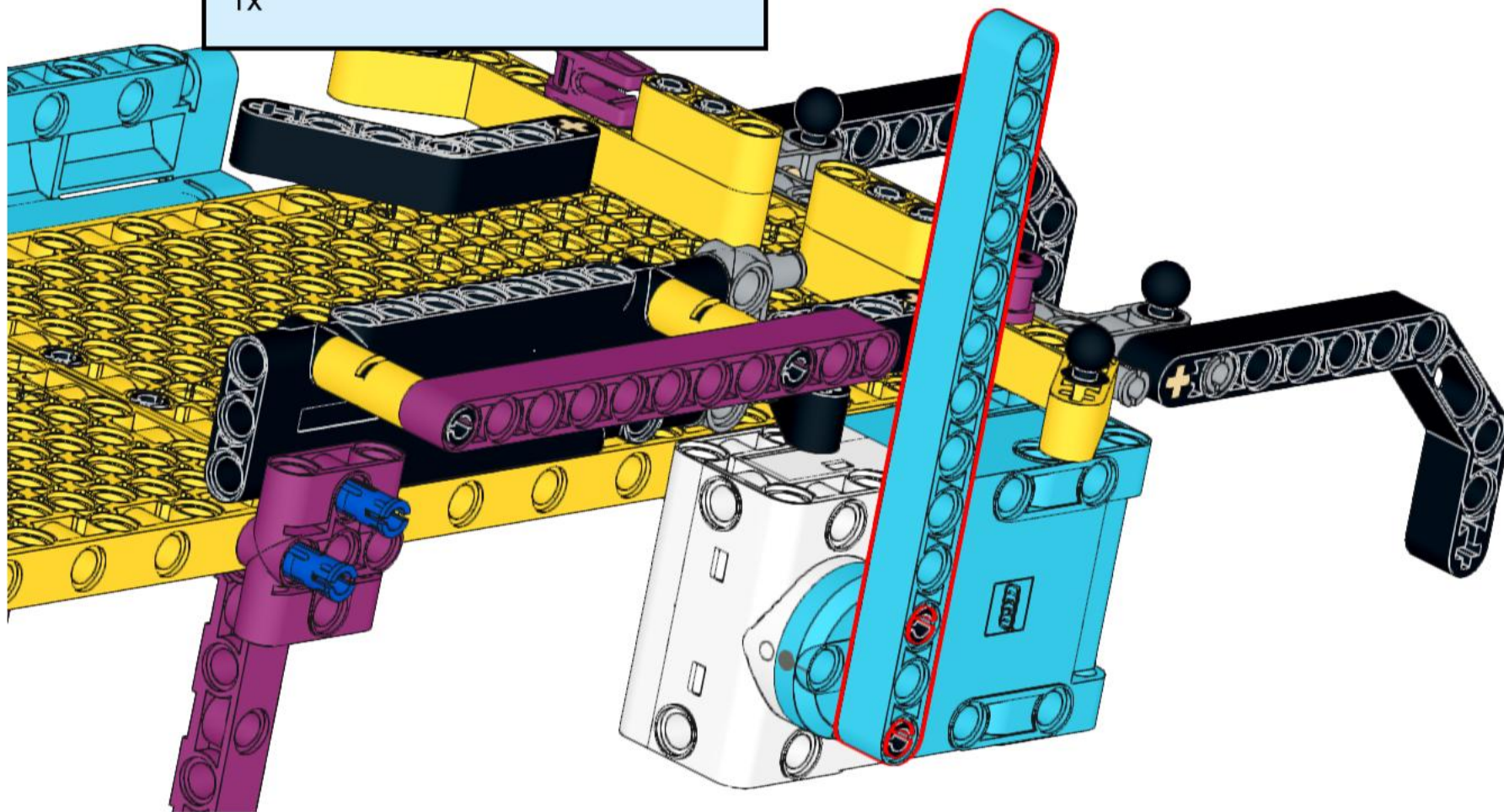
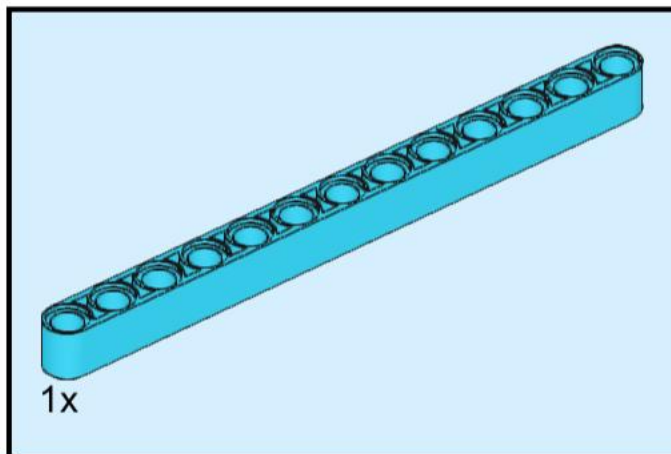




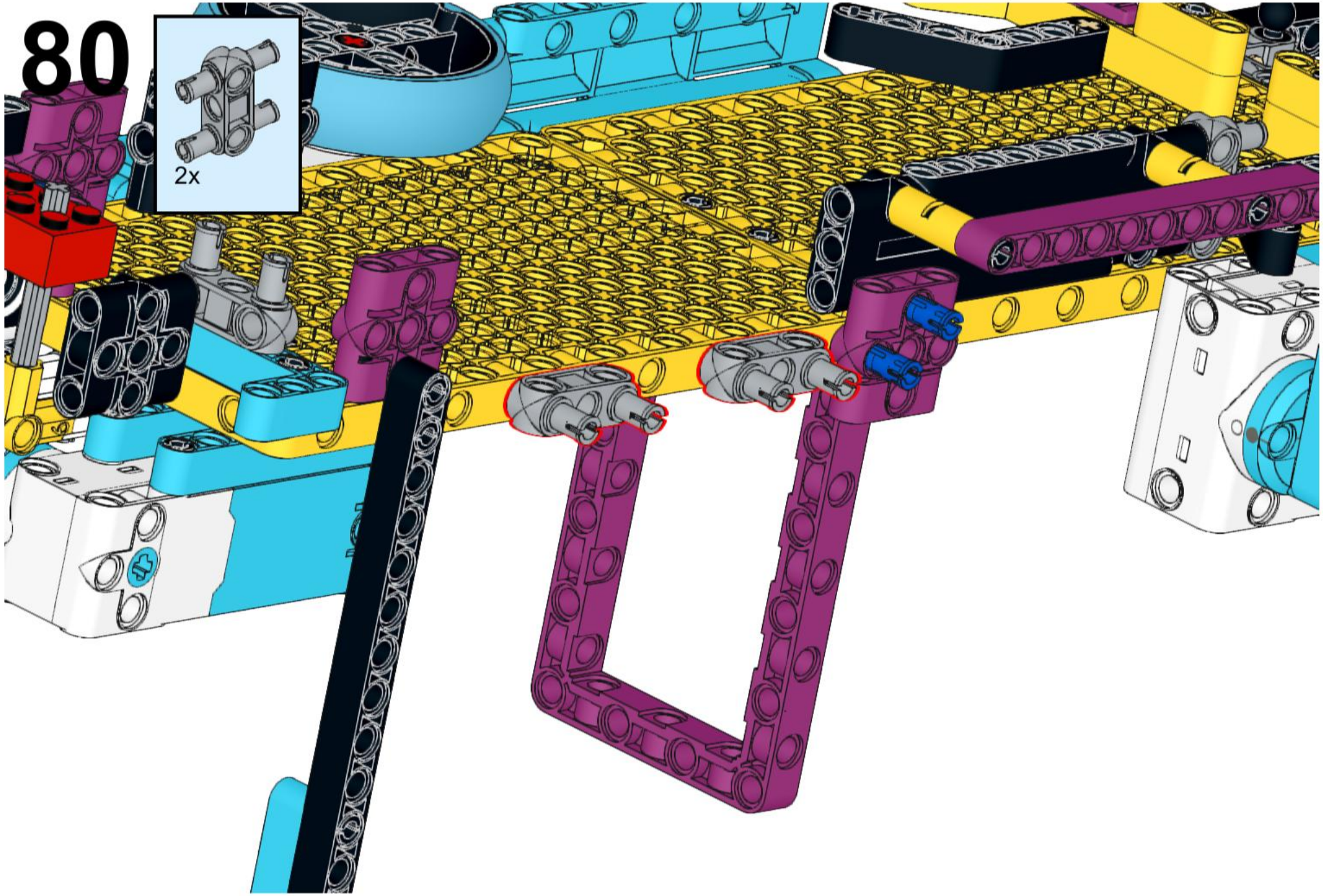
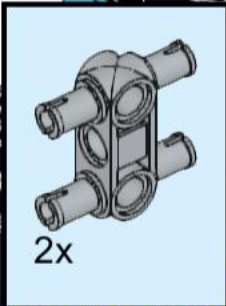
# 78



# 79

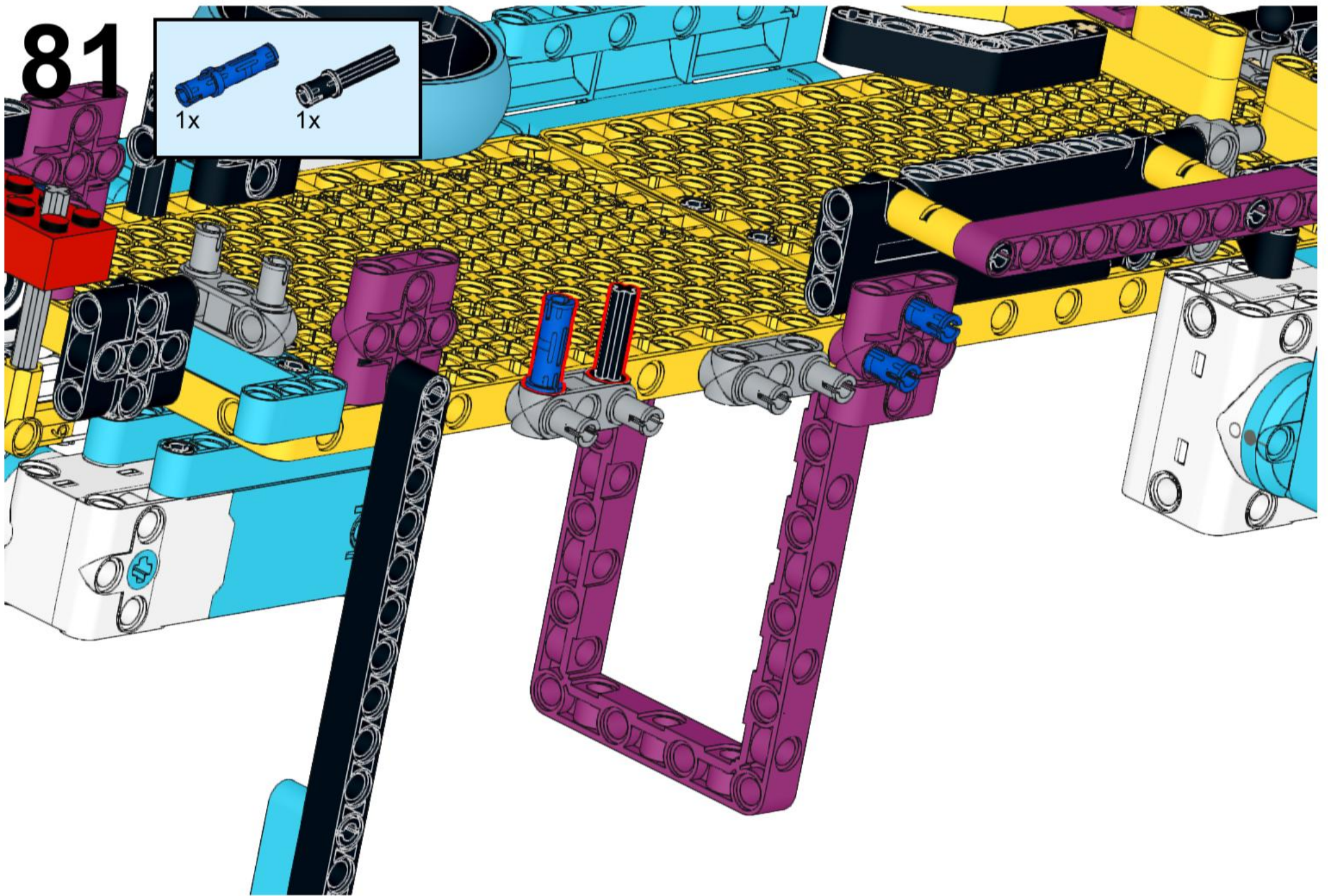
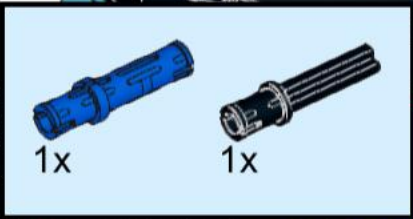


80

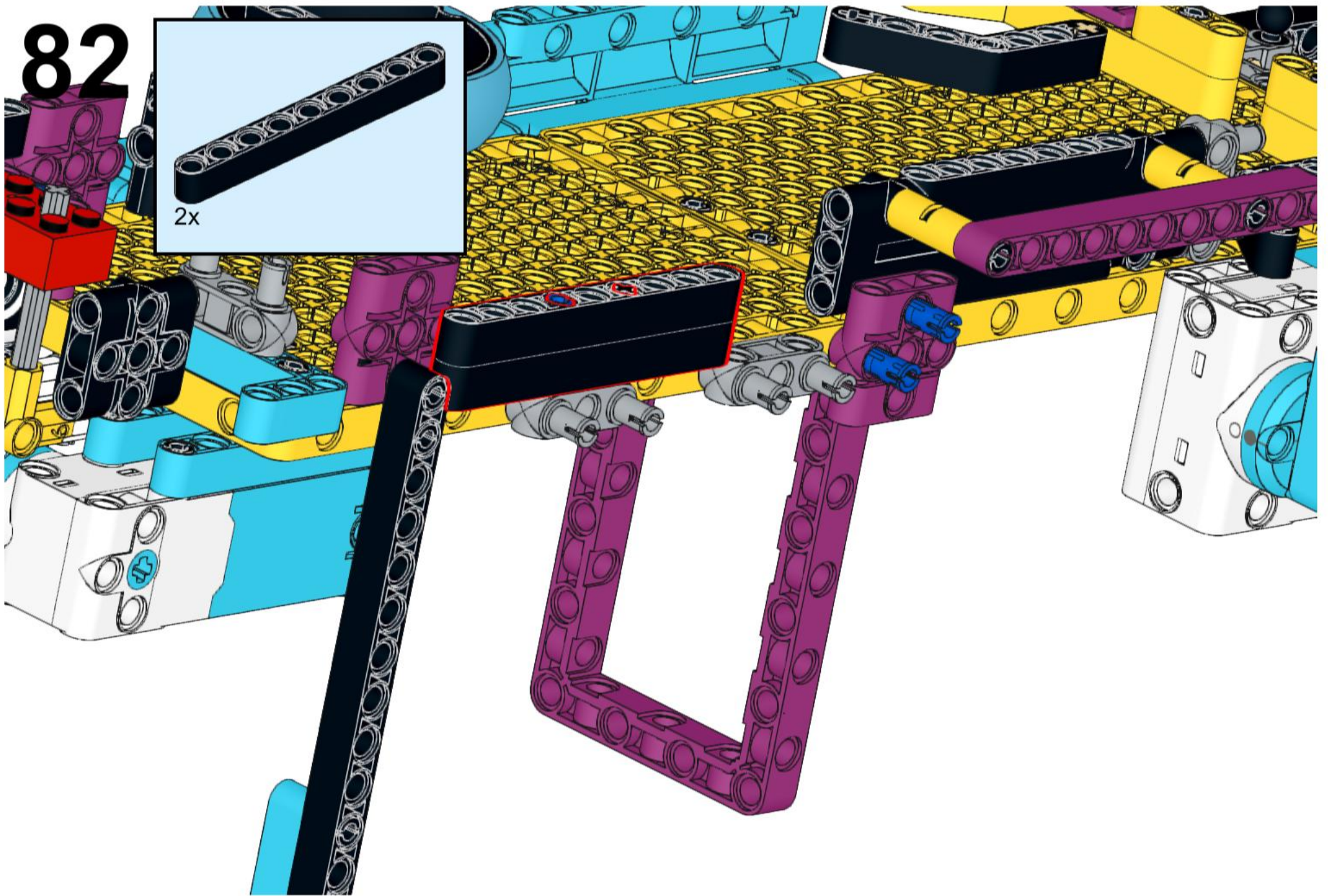
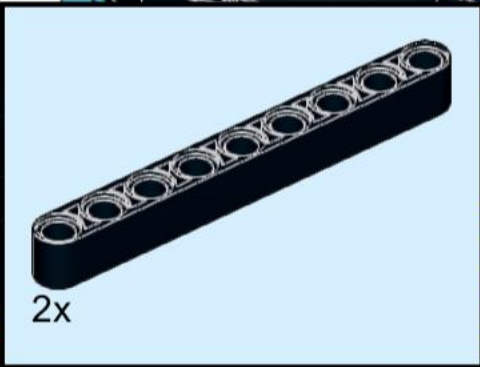




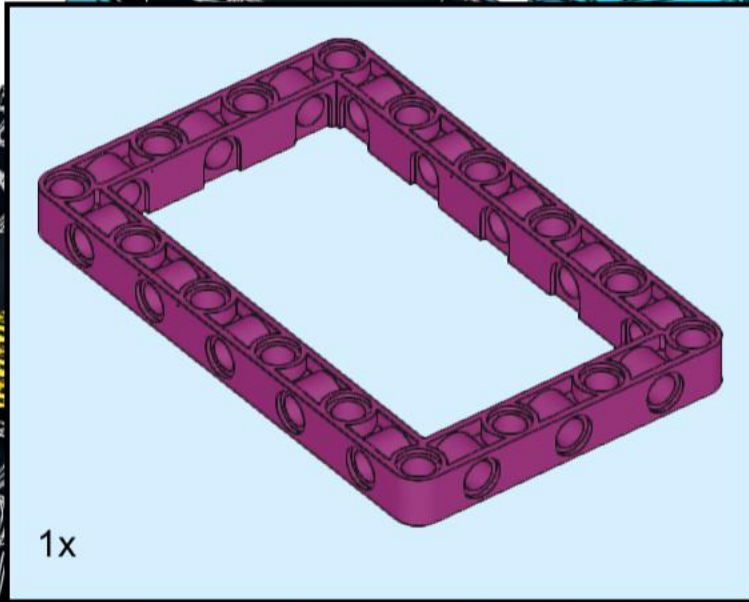
81



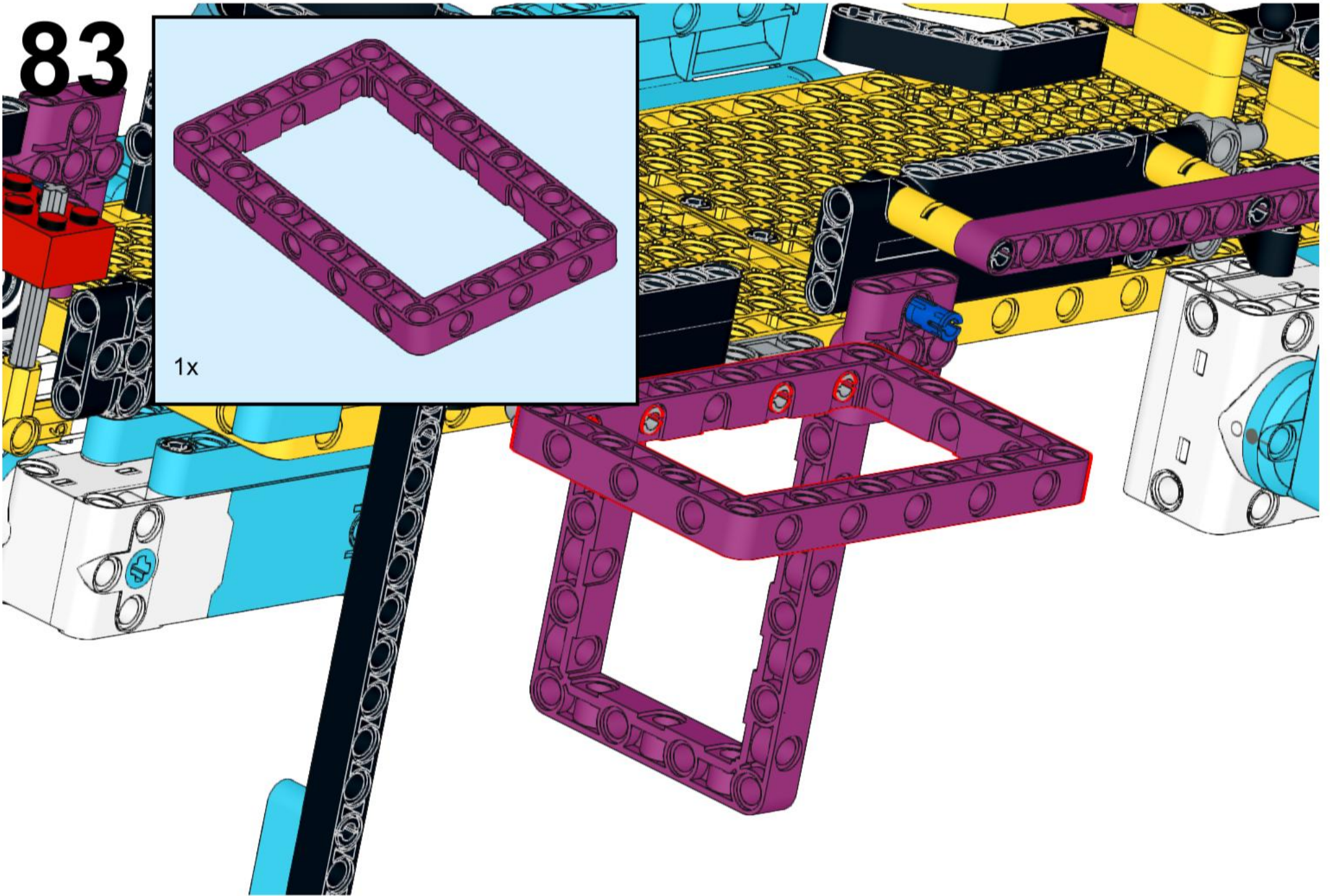
82



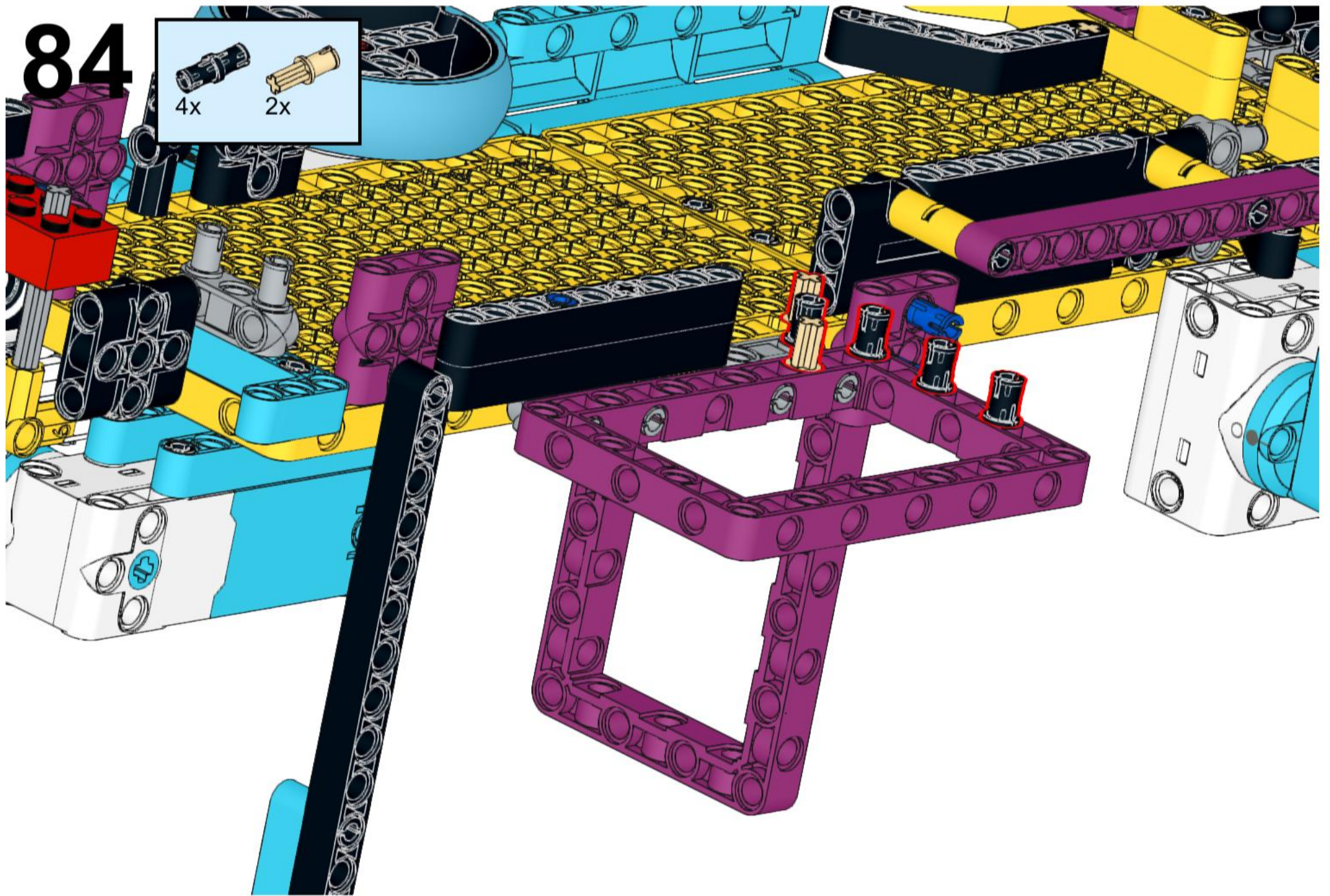
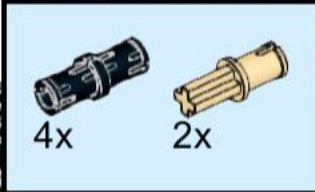
83



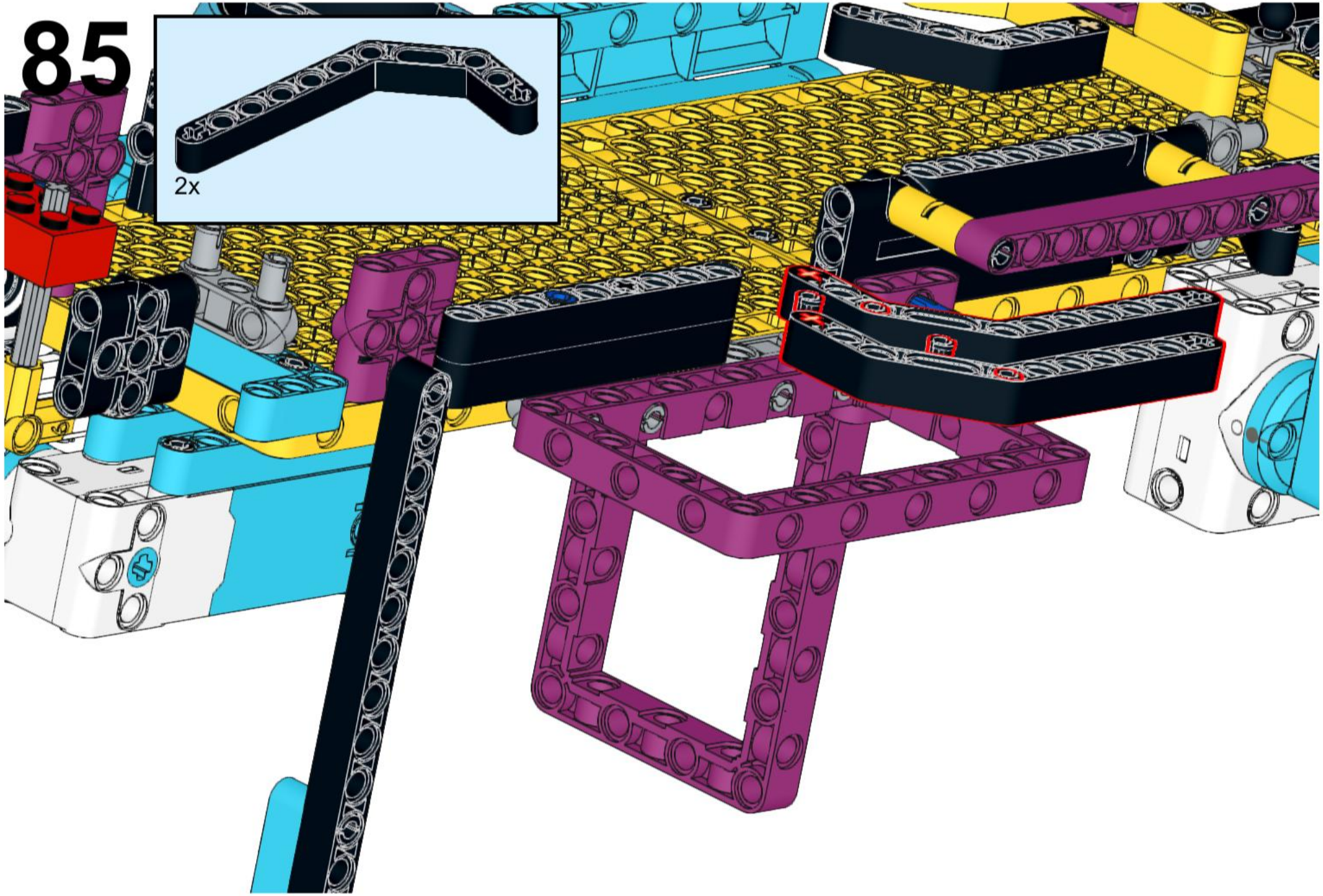
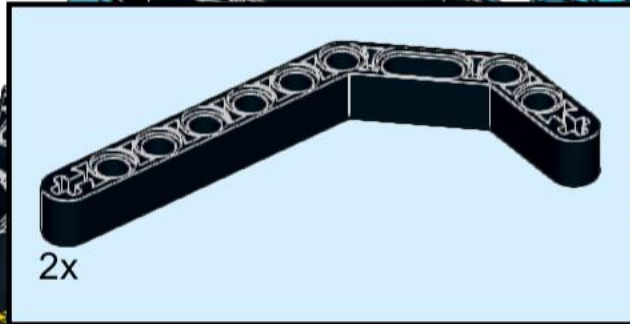
1x



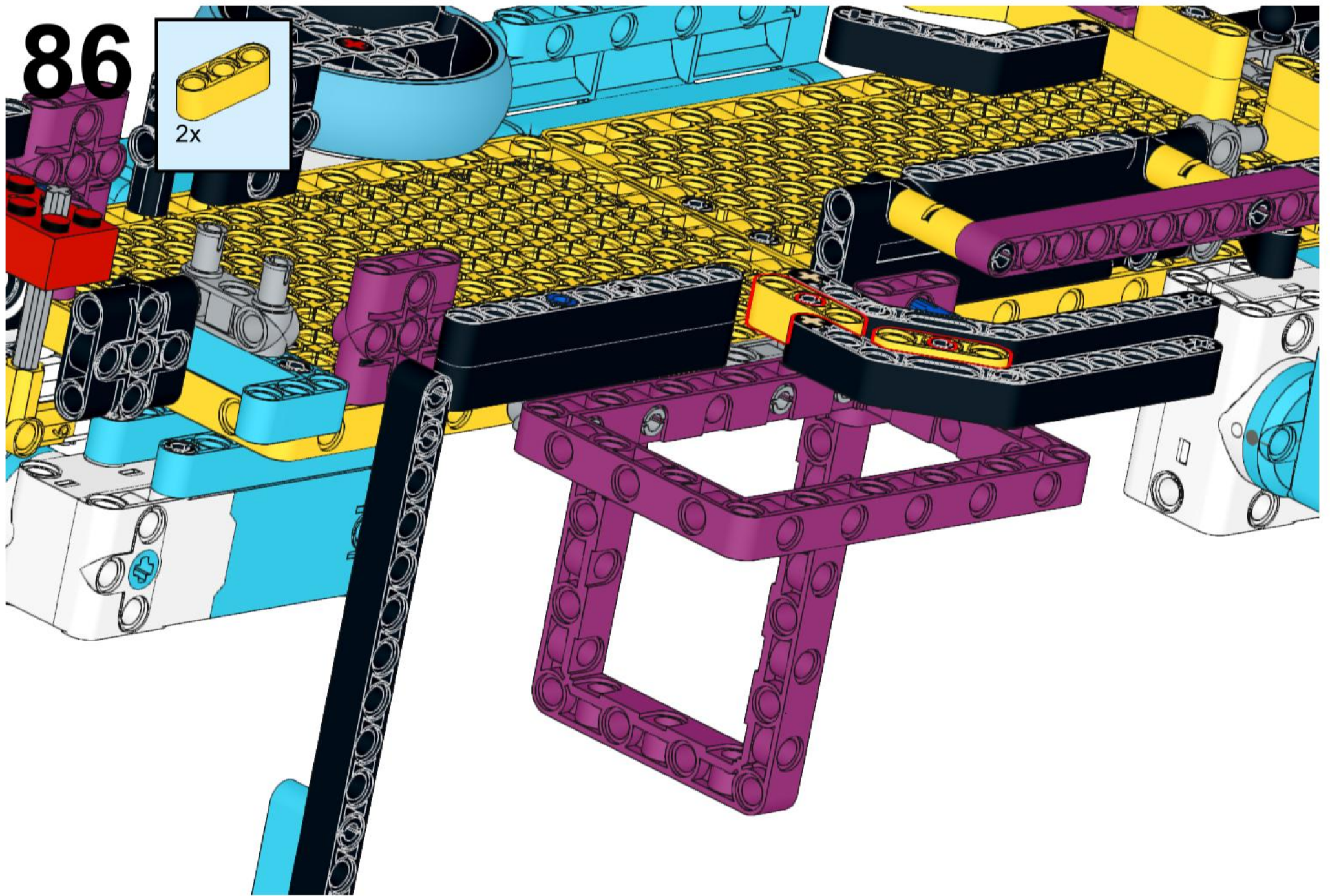
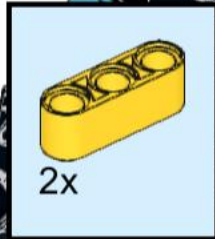
84



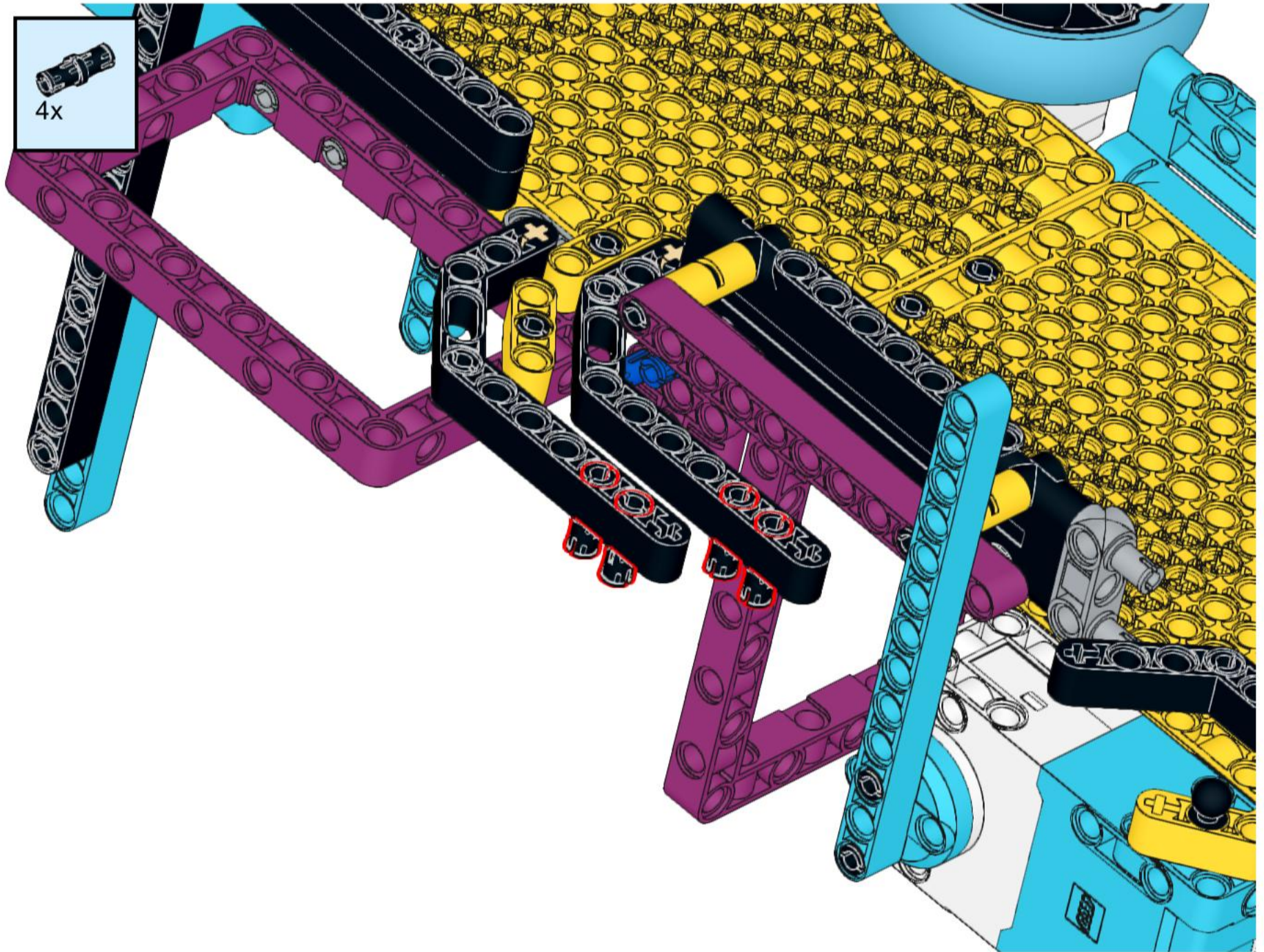
85



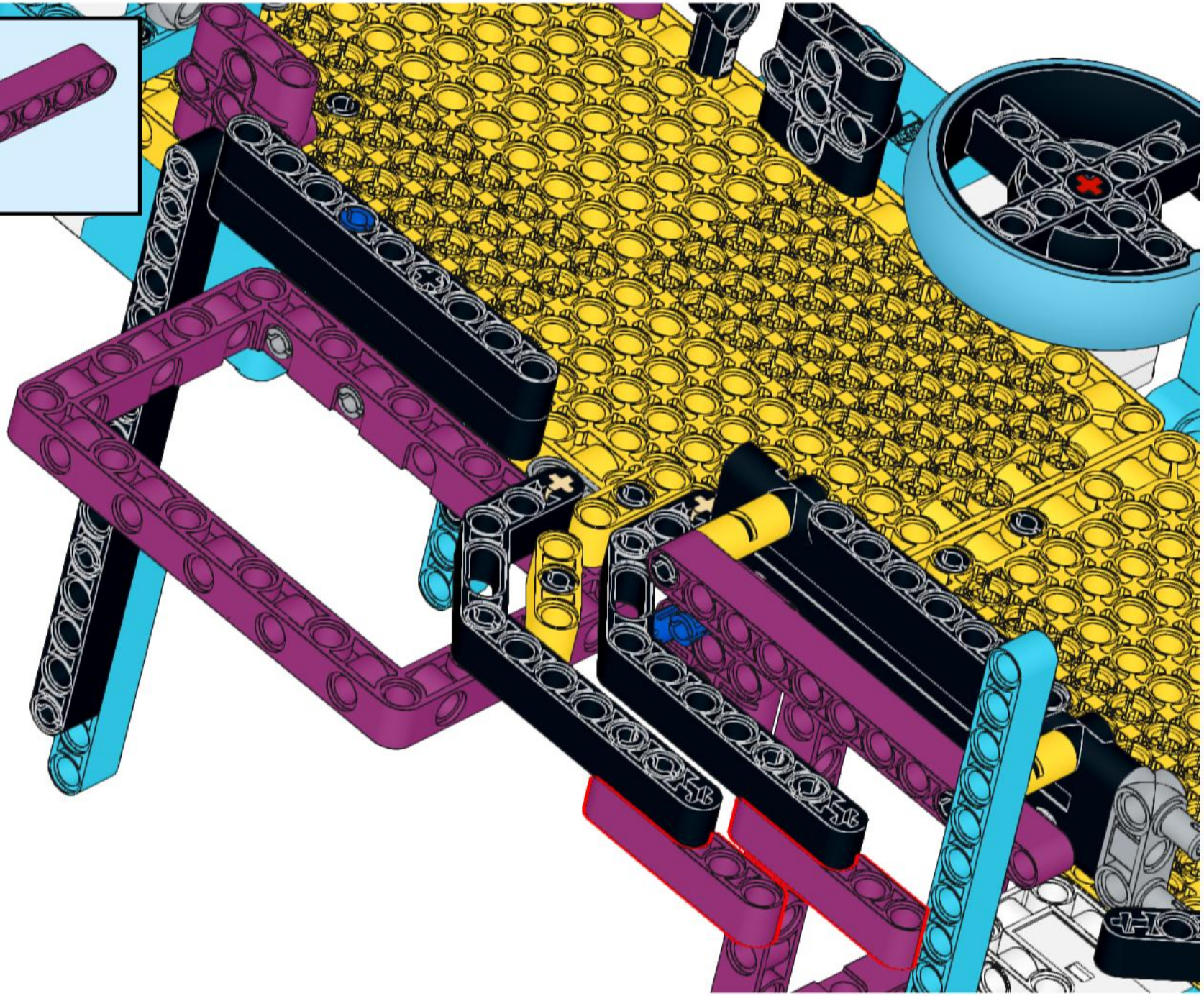
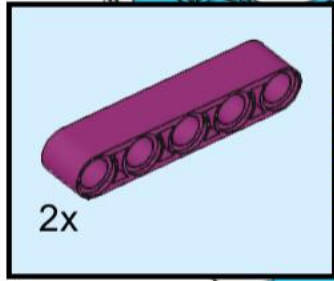
86



87

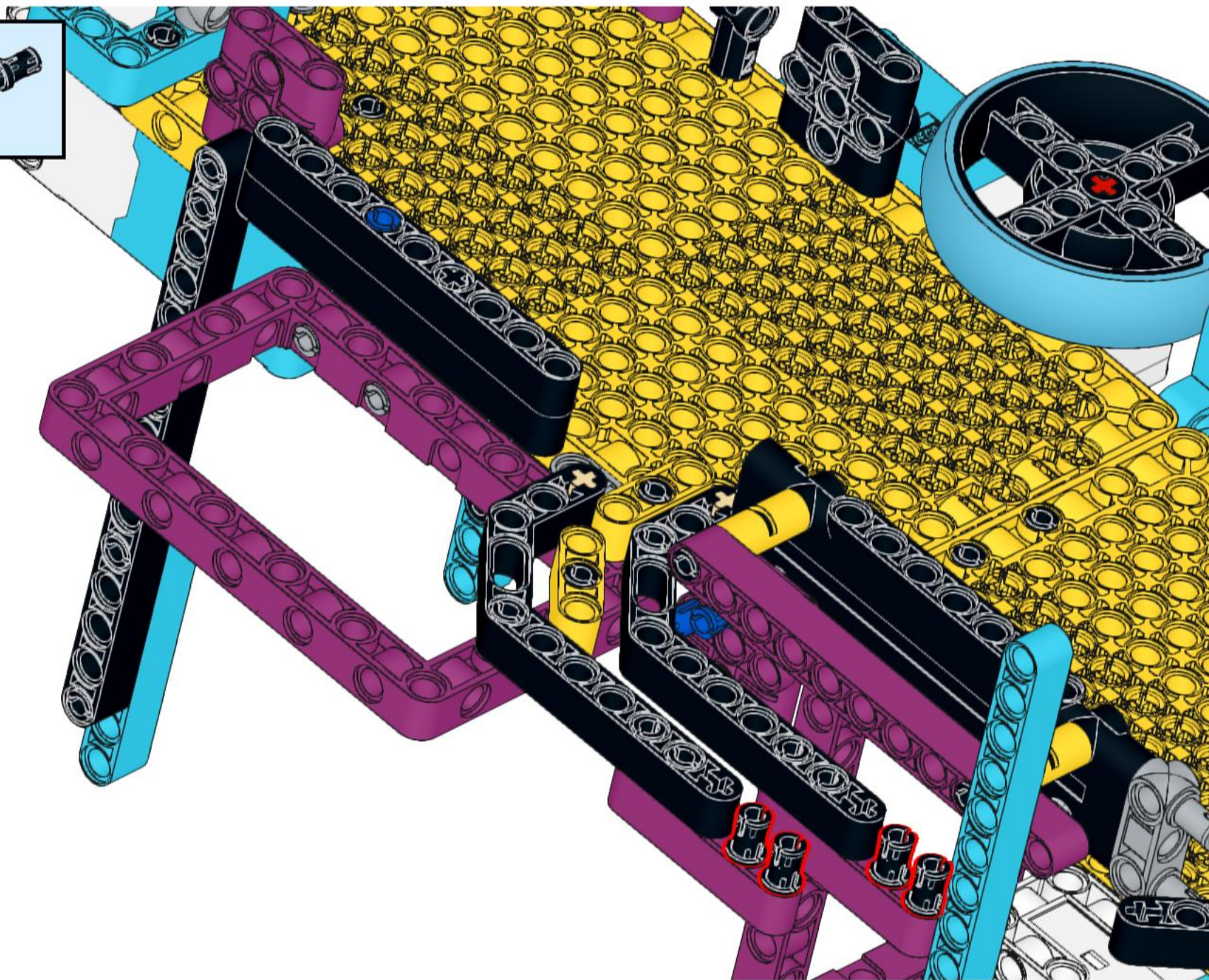


88

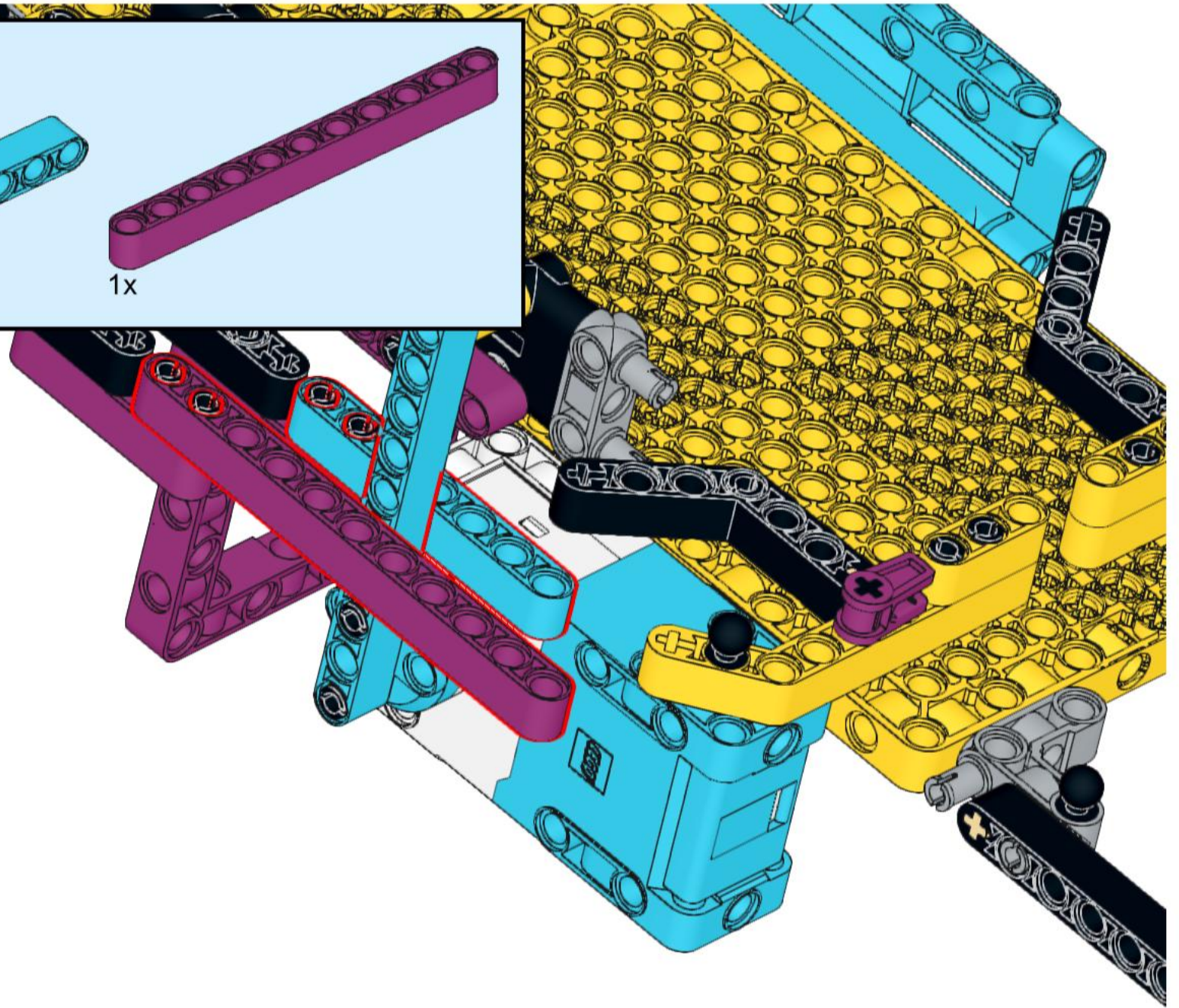
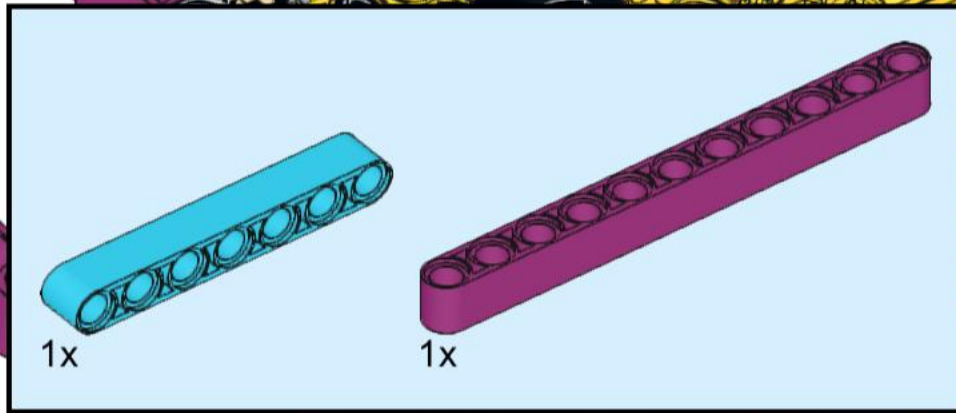


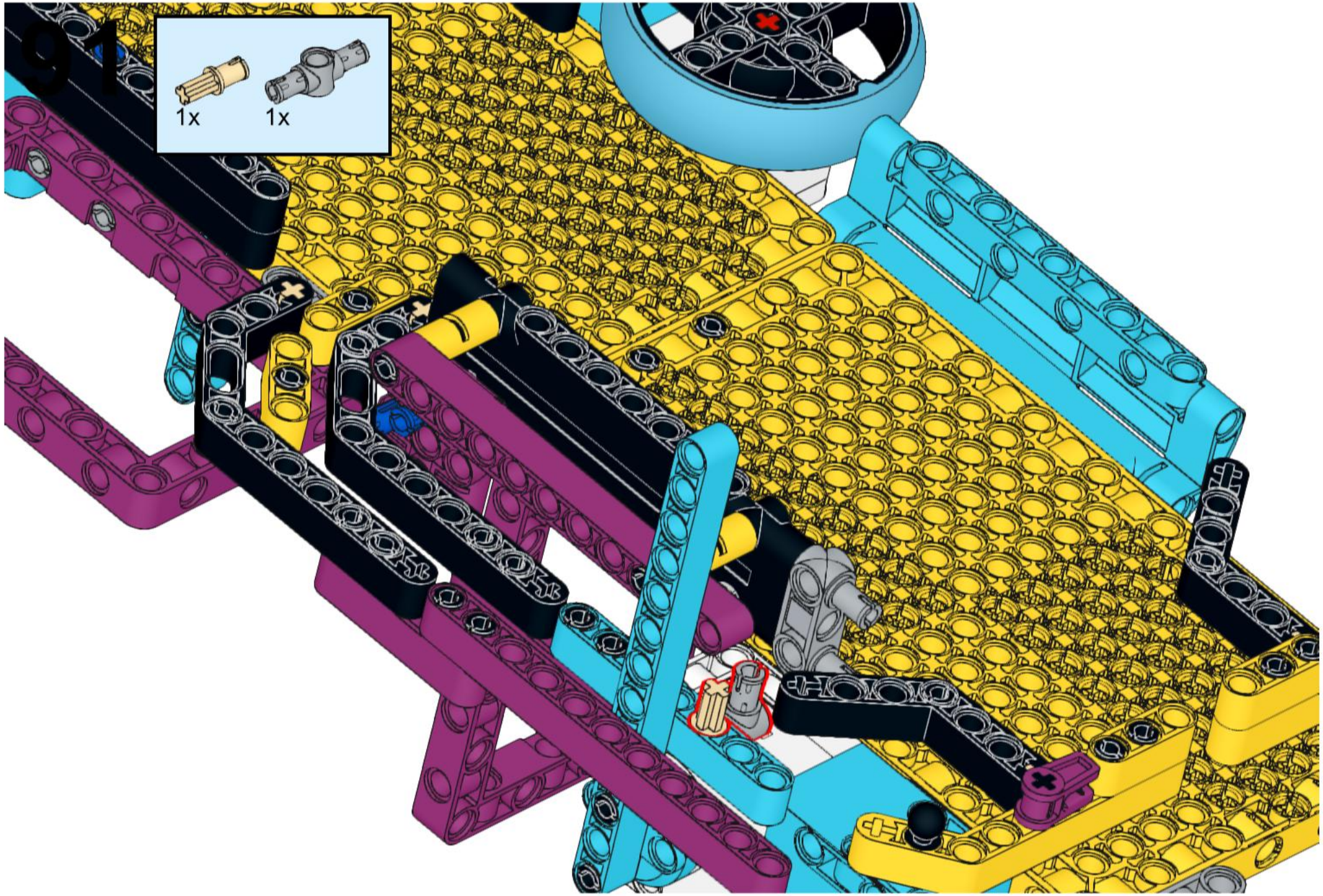


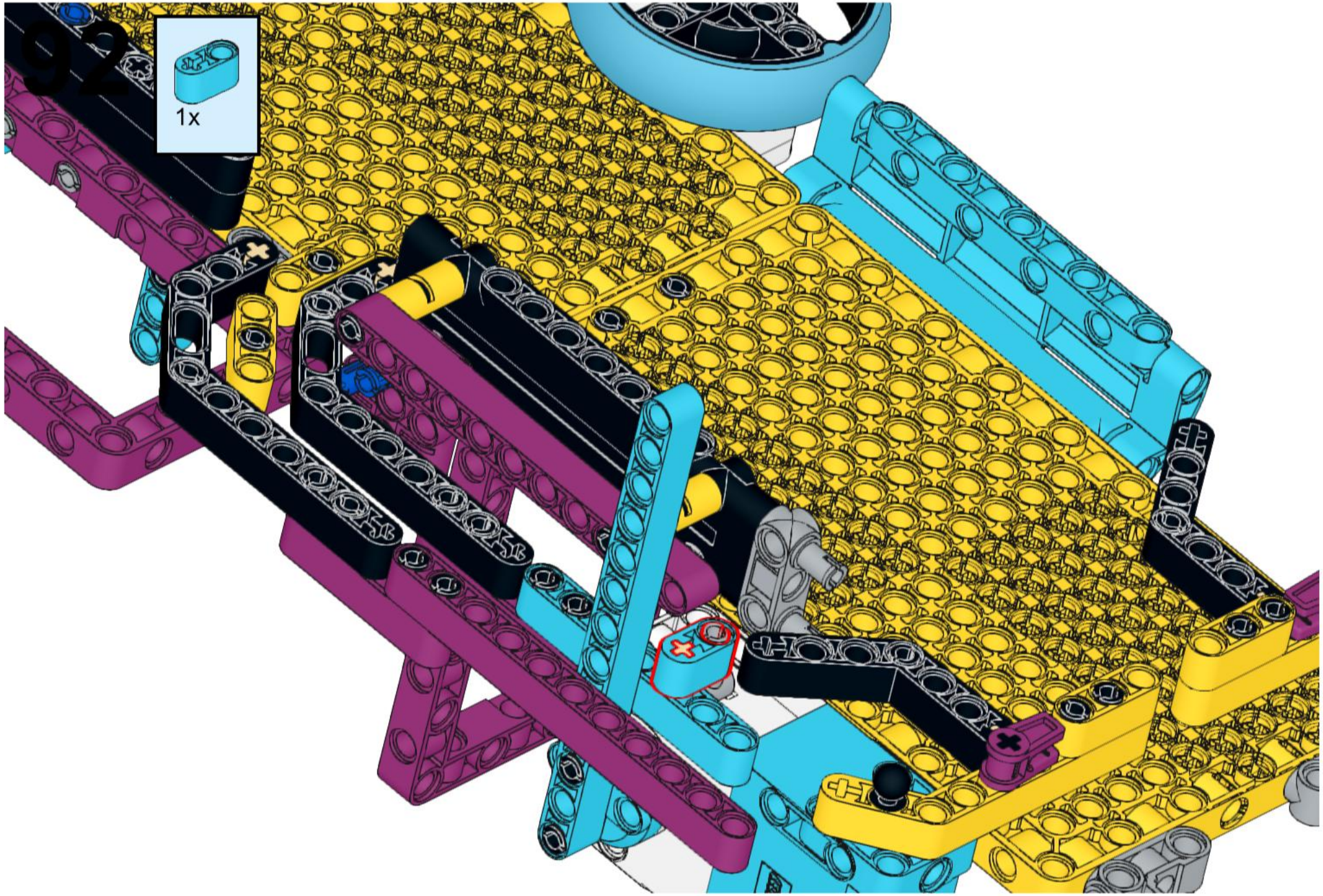
# 89



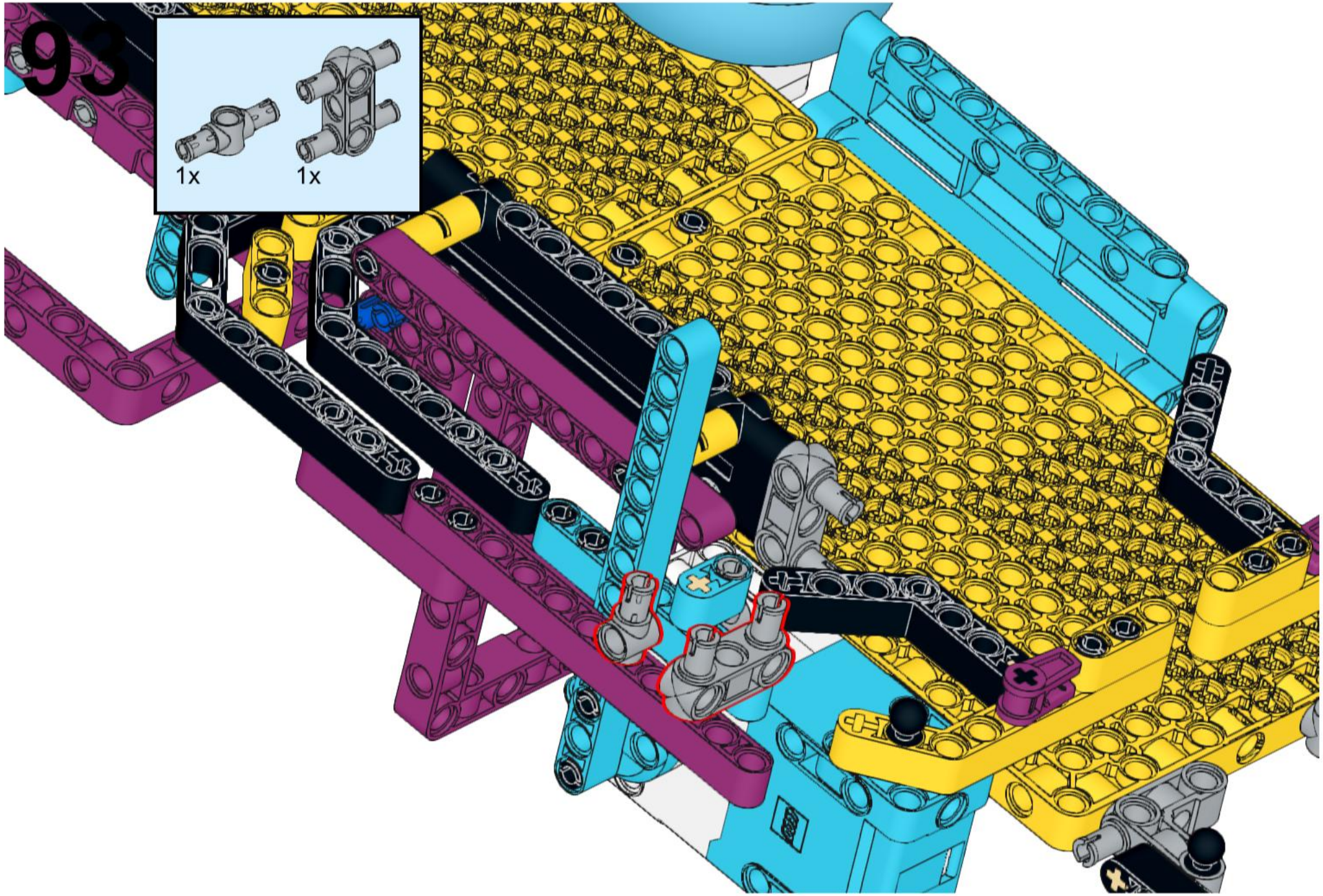
90







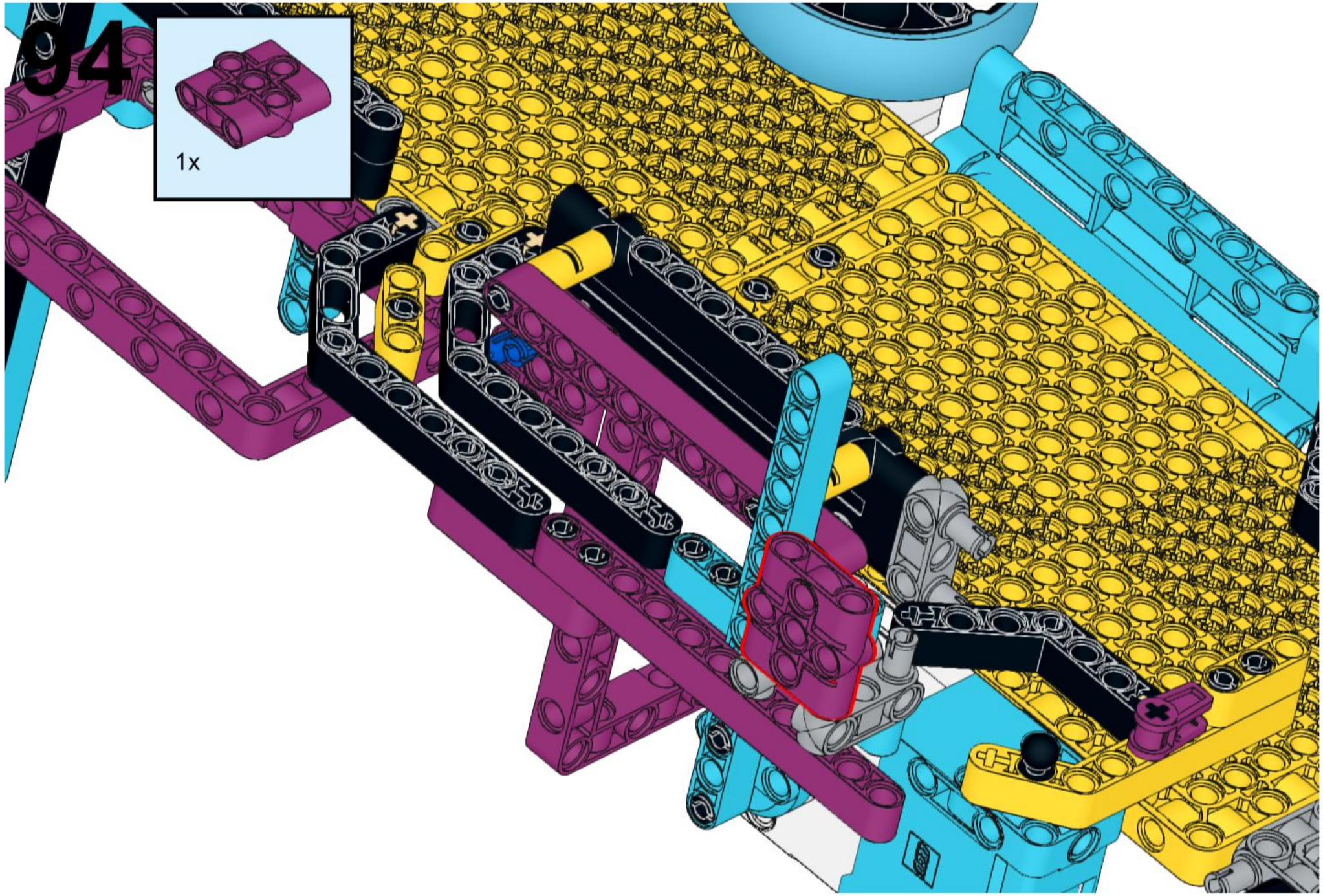
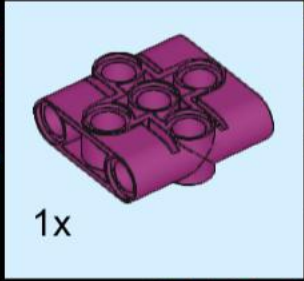
1x



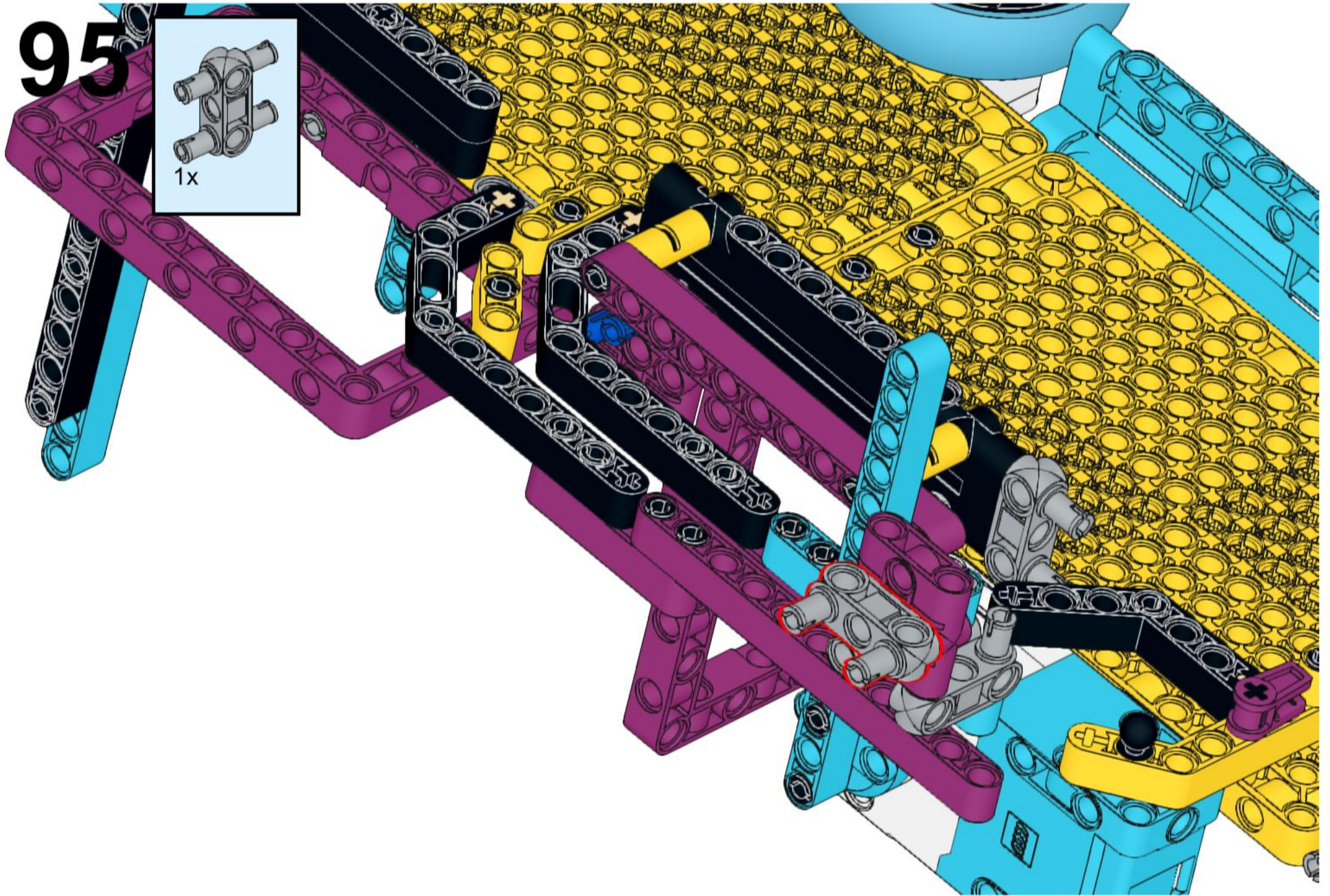
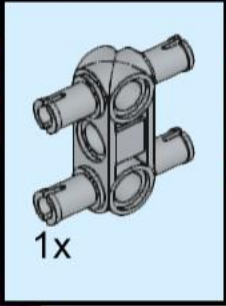
99

1x 1x

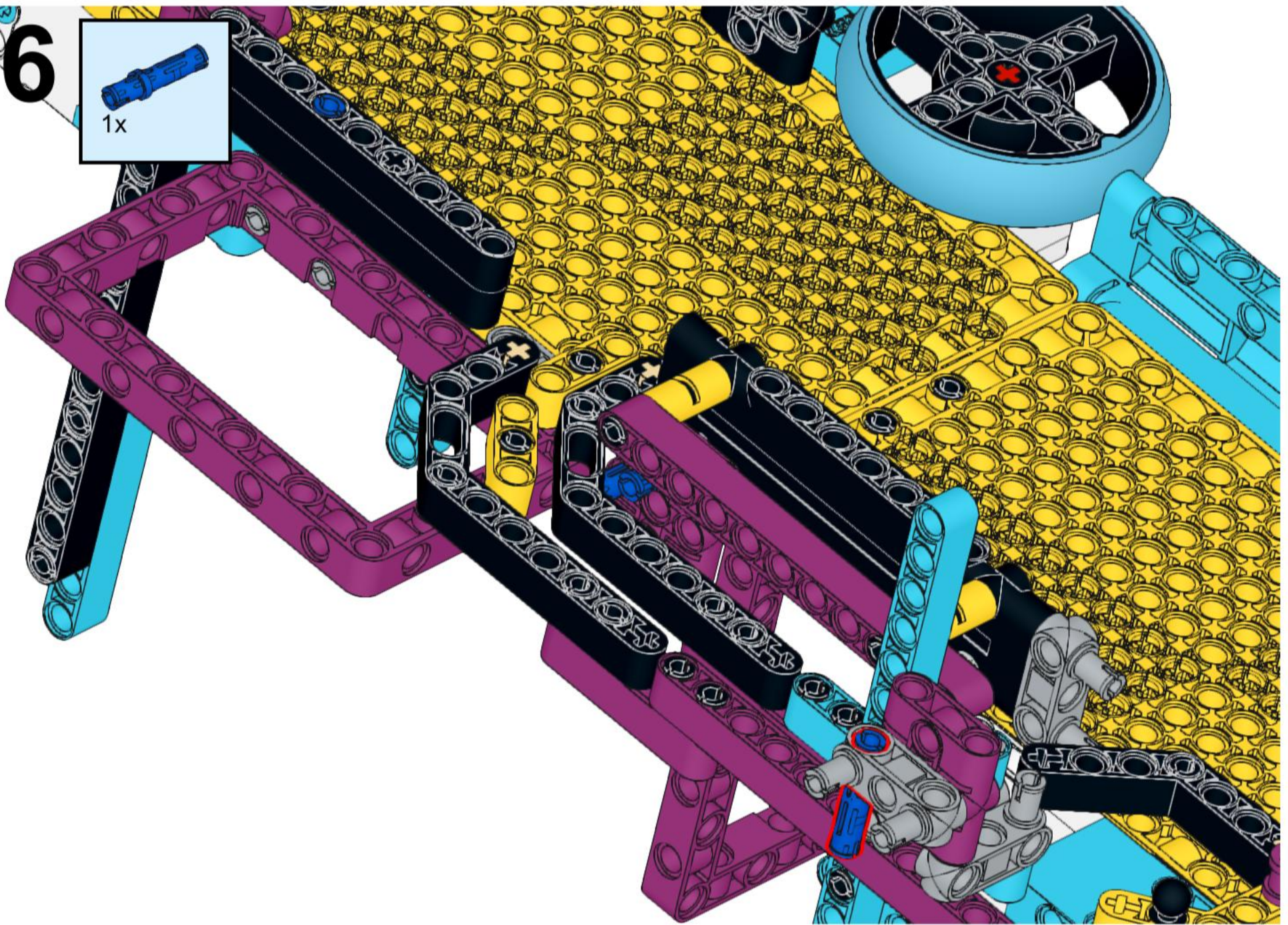
94



95

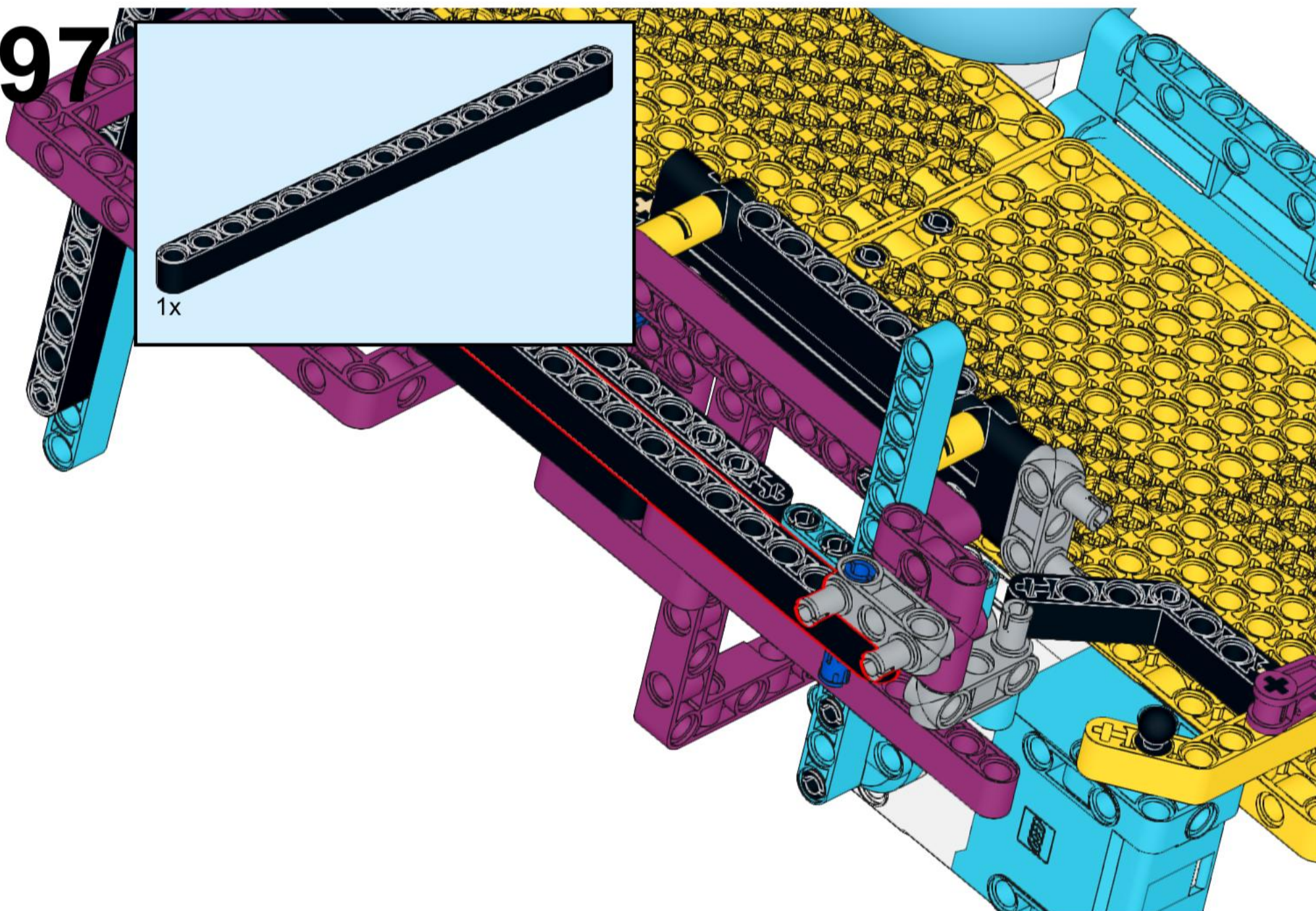
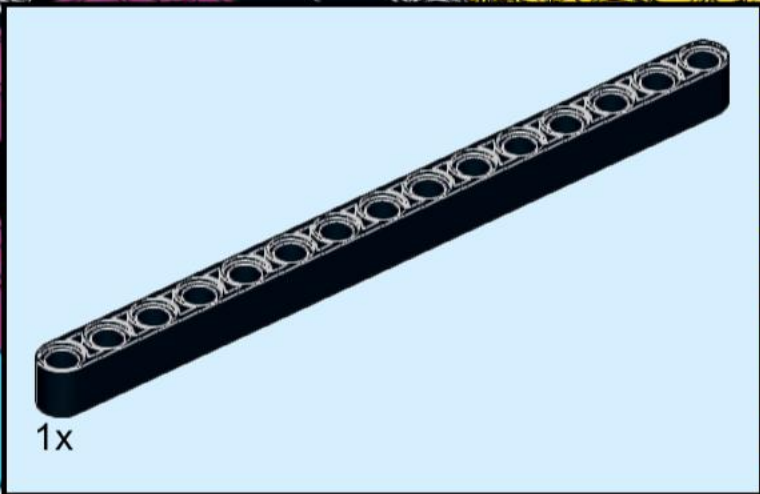


96

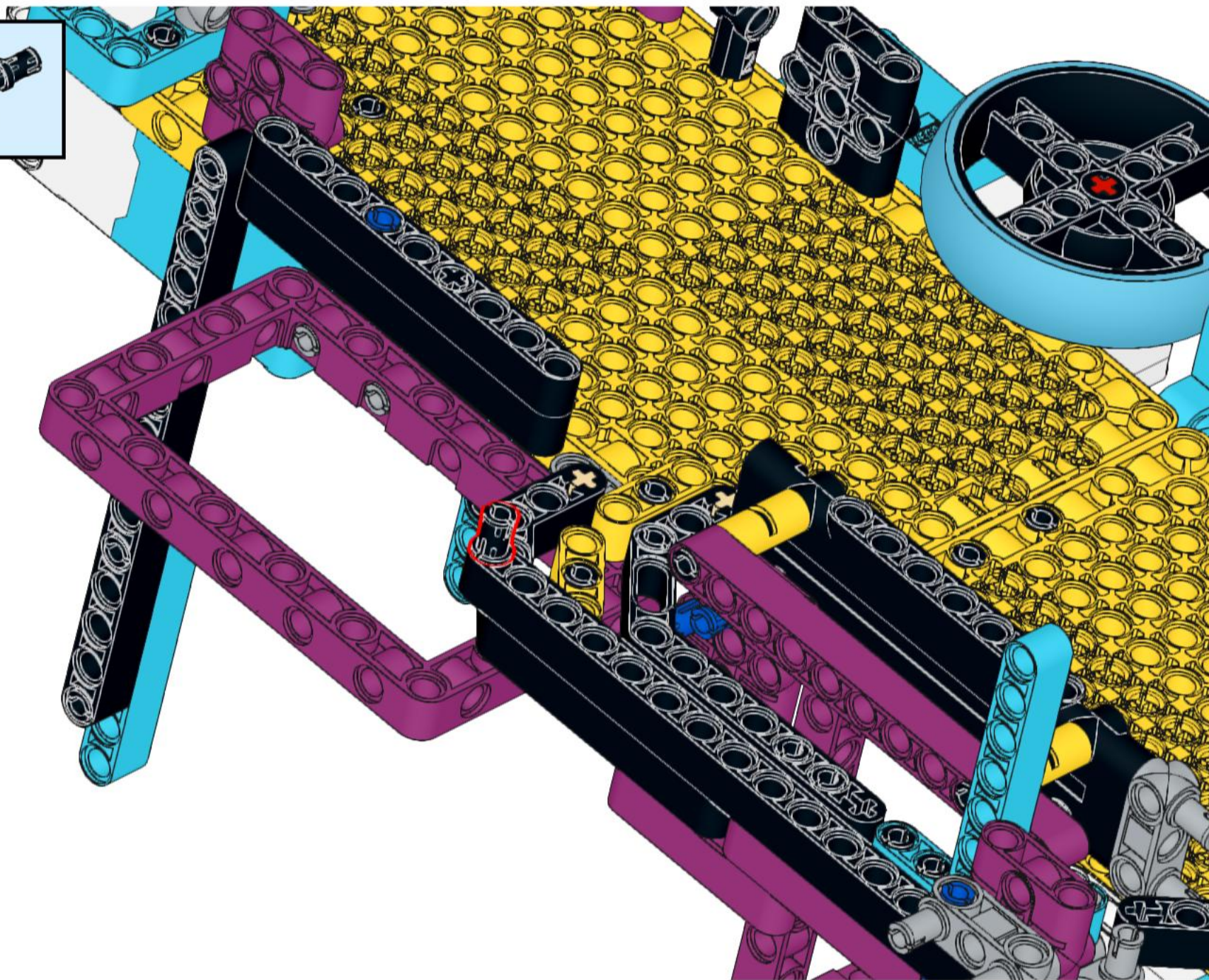




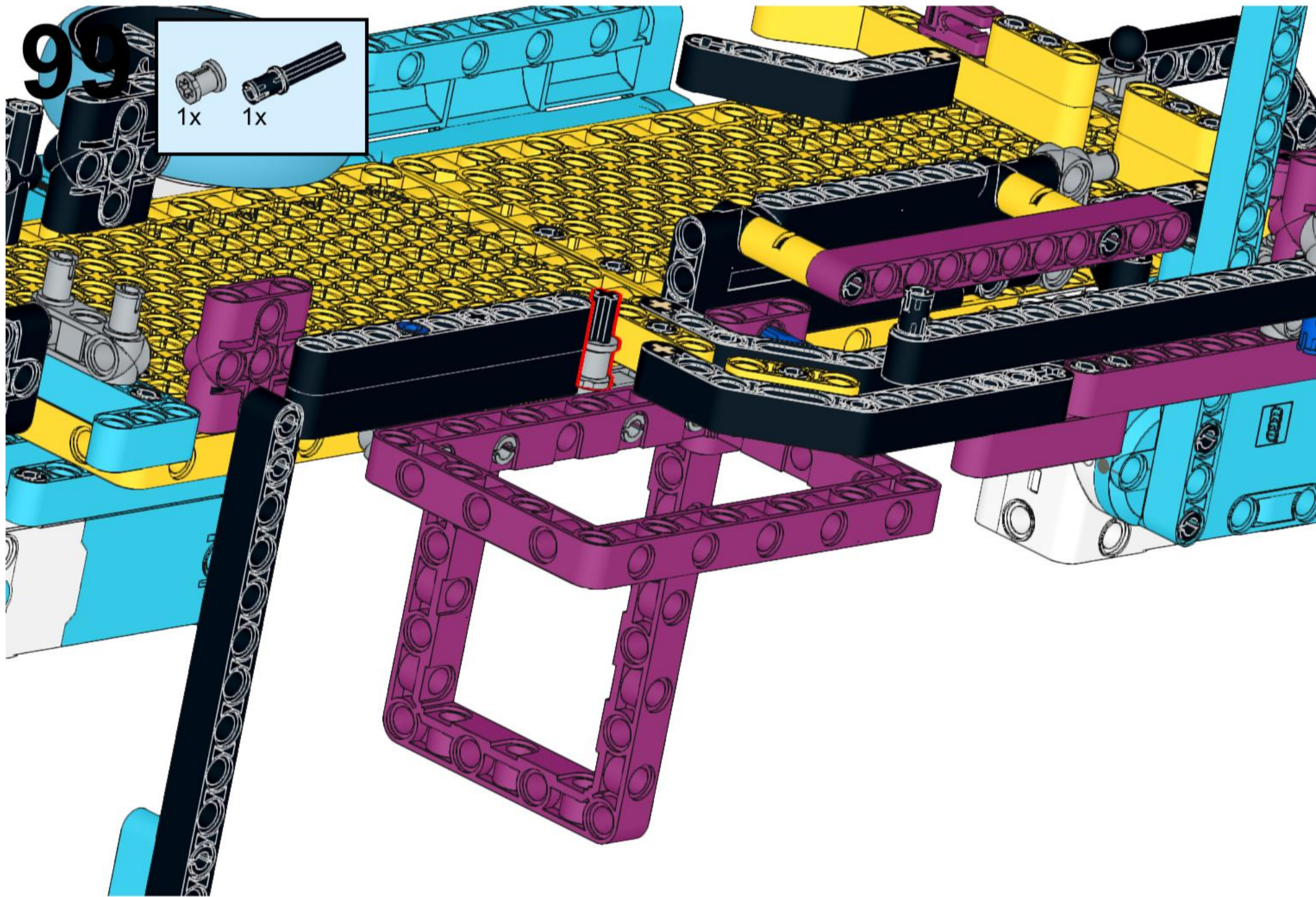
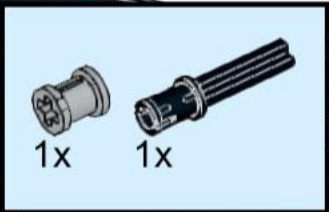
97



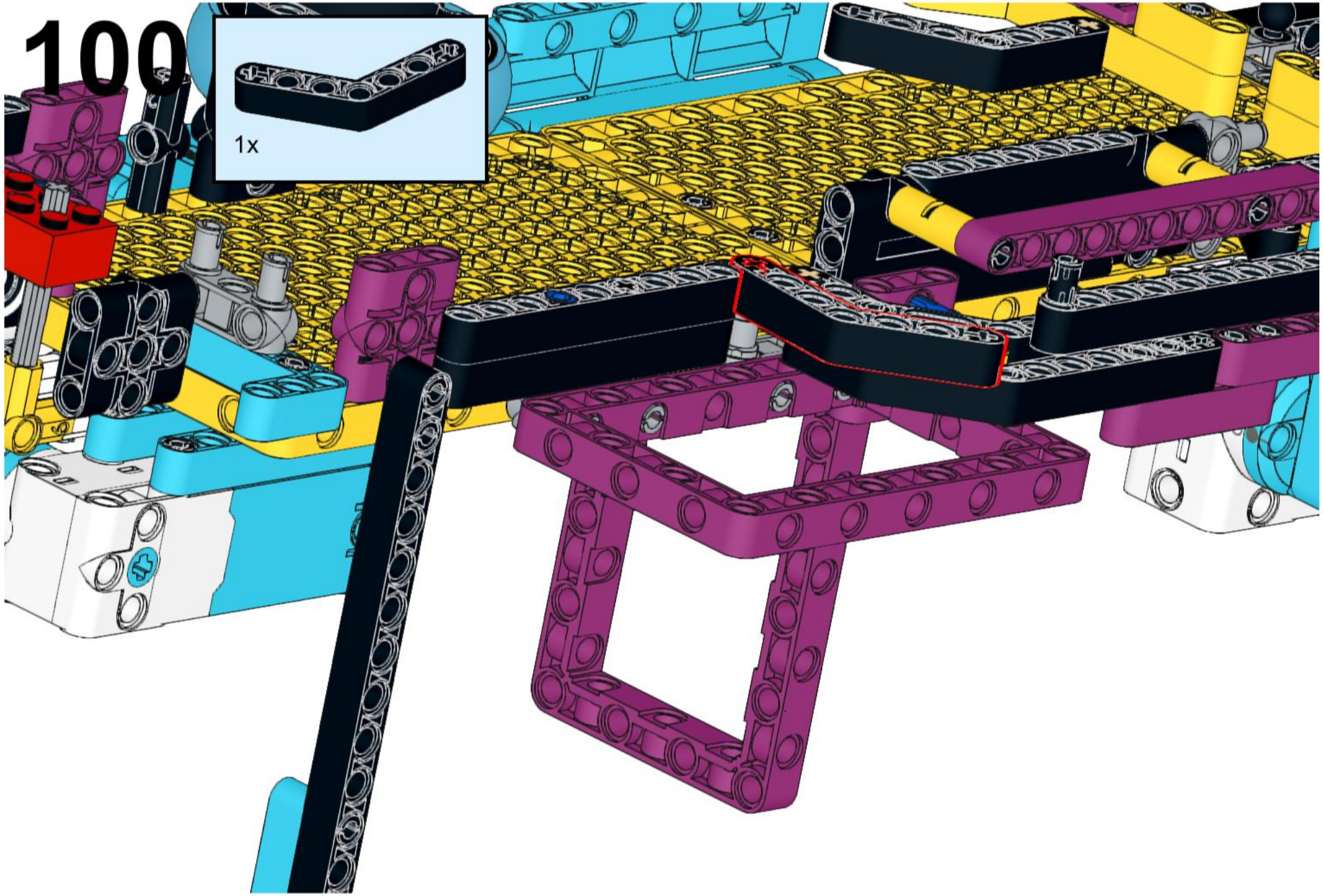
98



99

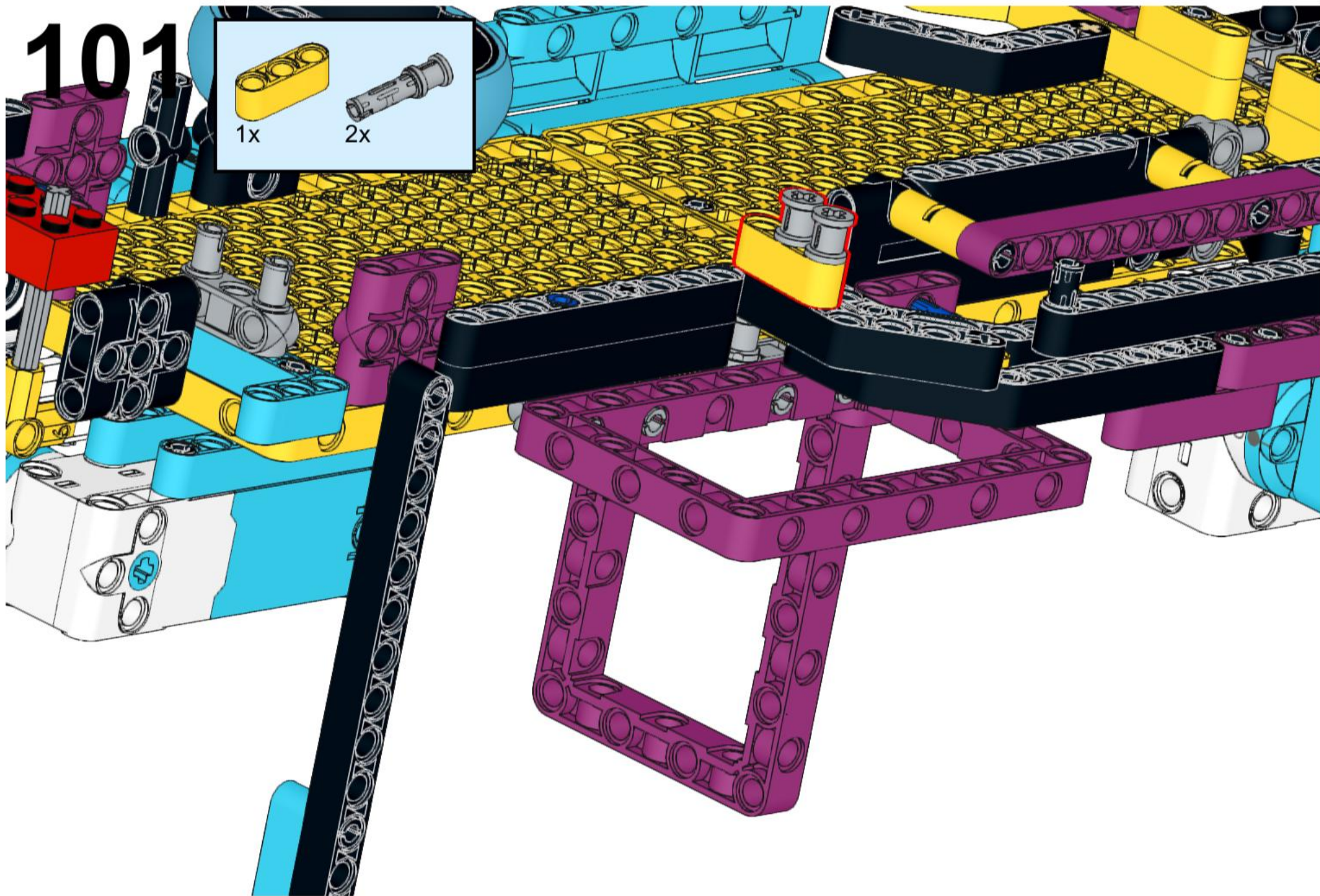


100

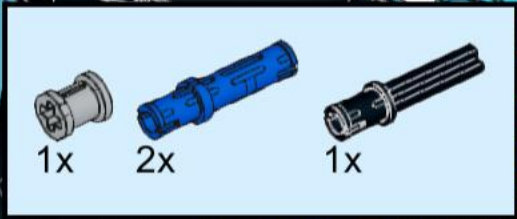


101

1x 2x

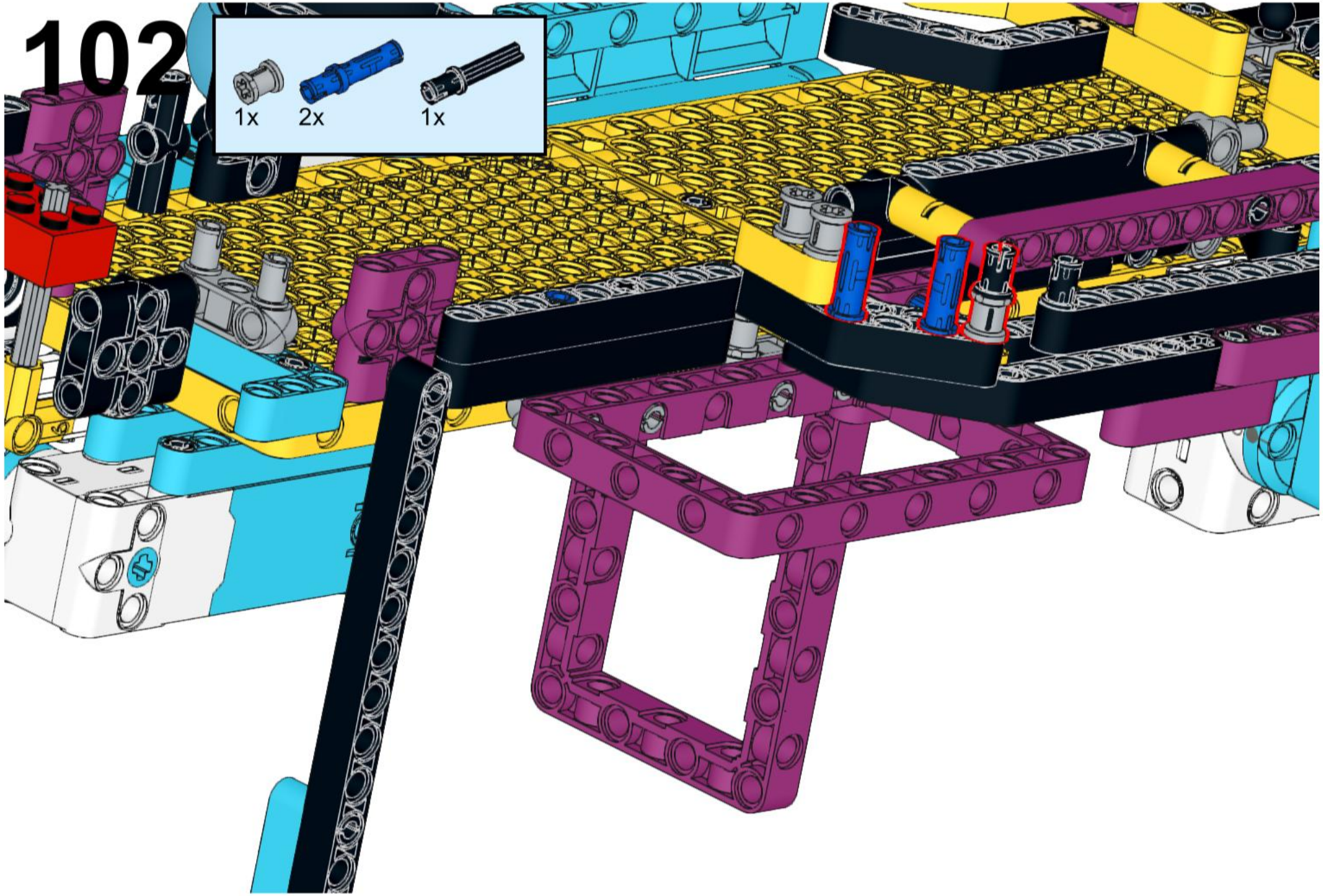


# 102

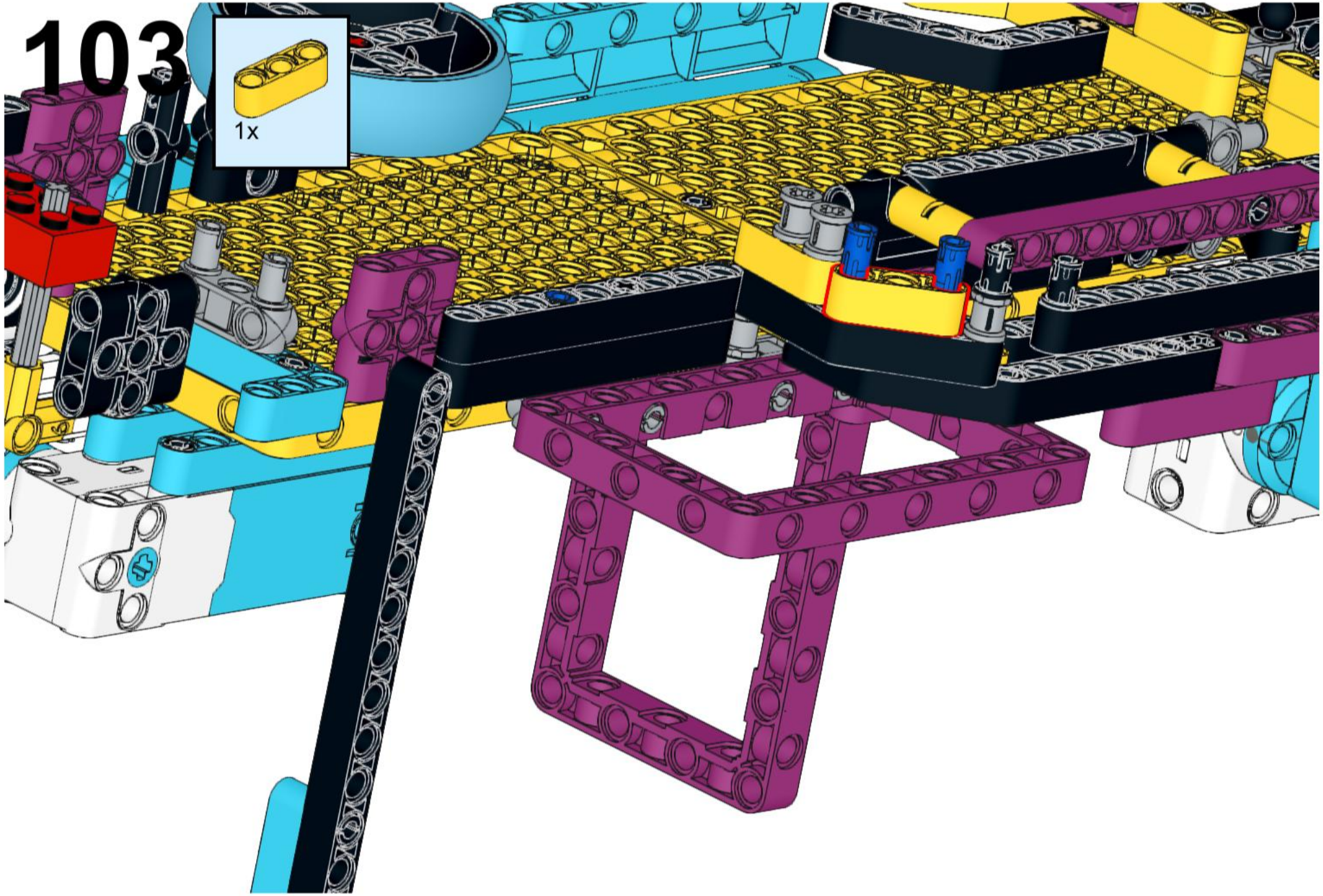
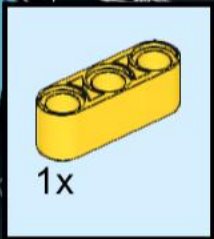


1x 2x 1x

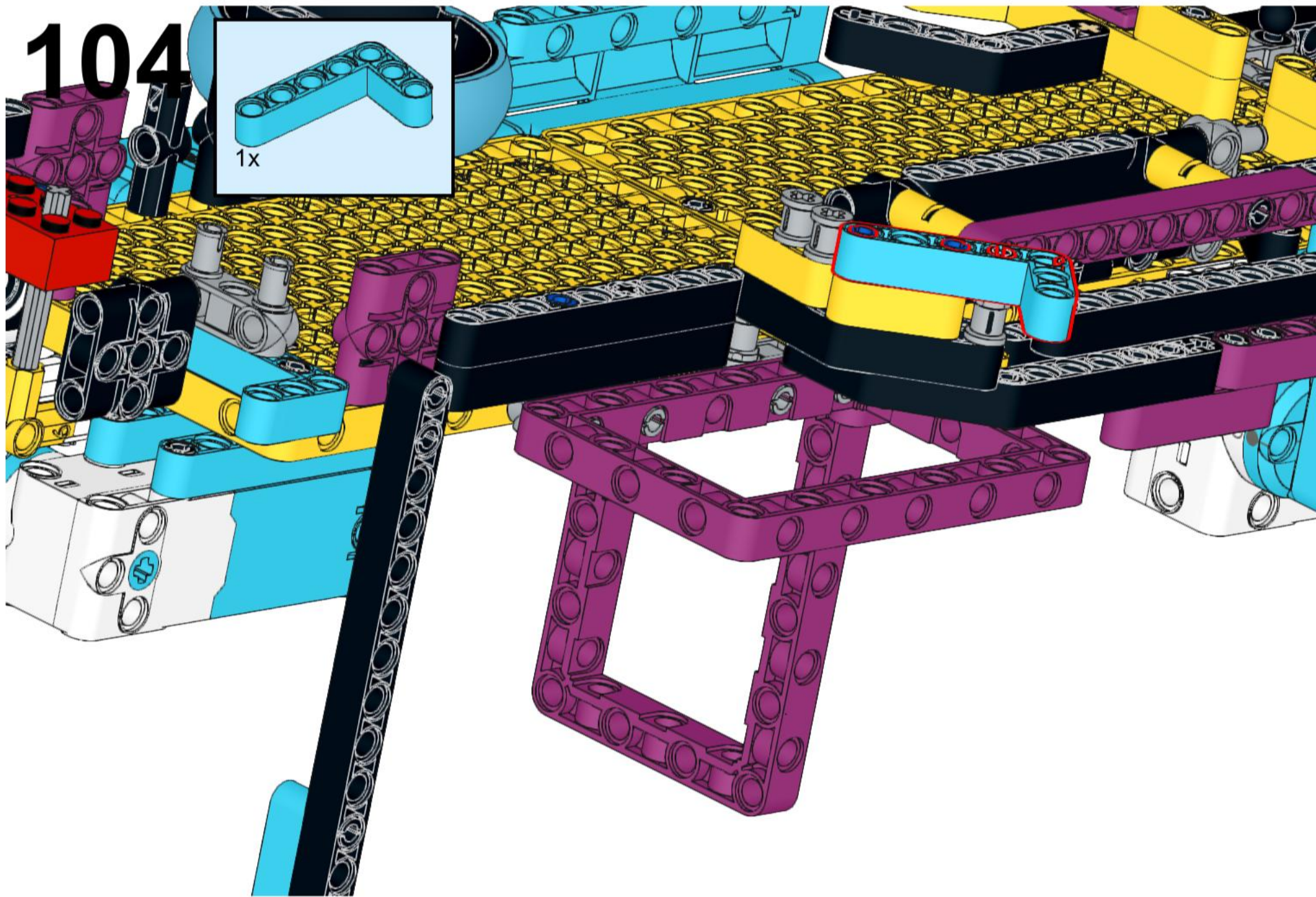
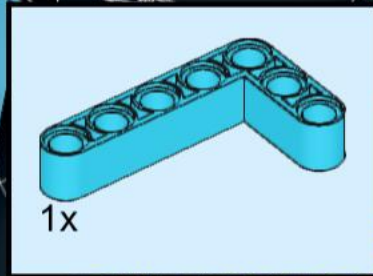
This inset box shows the parts list for step 102. It contains three items: a grey axle pin (1x), a blue axle pin (2x), and a grey axle pin with a stop (1x).



103

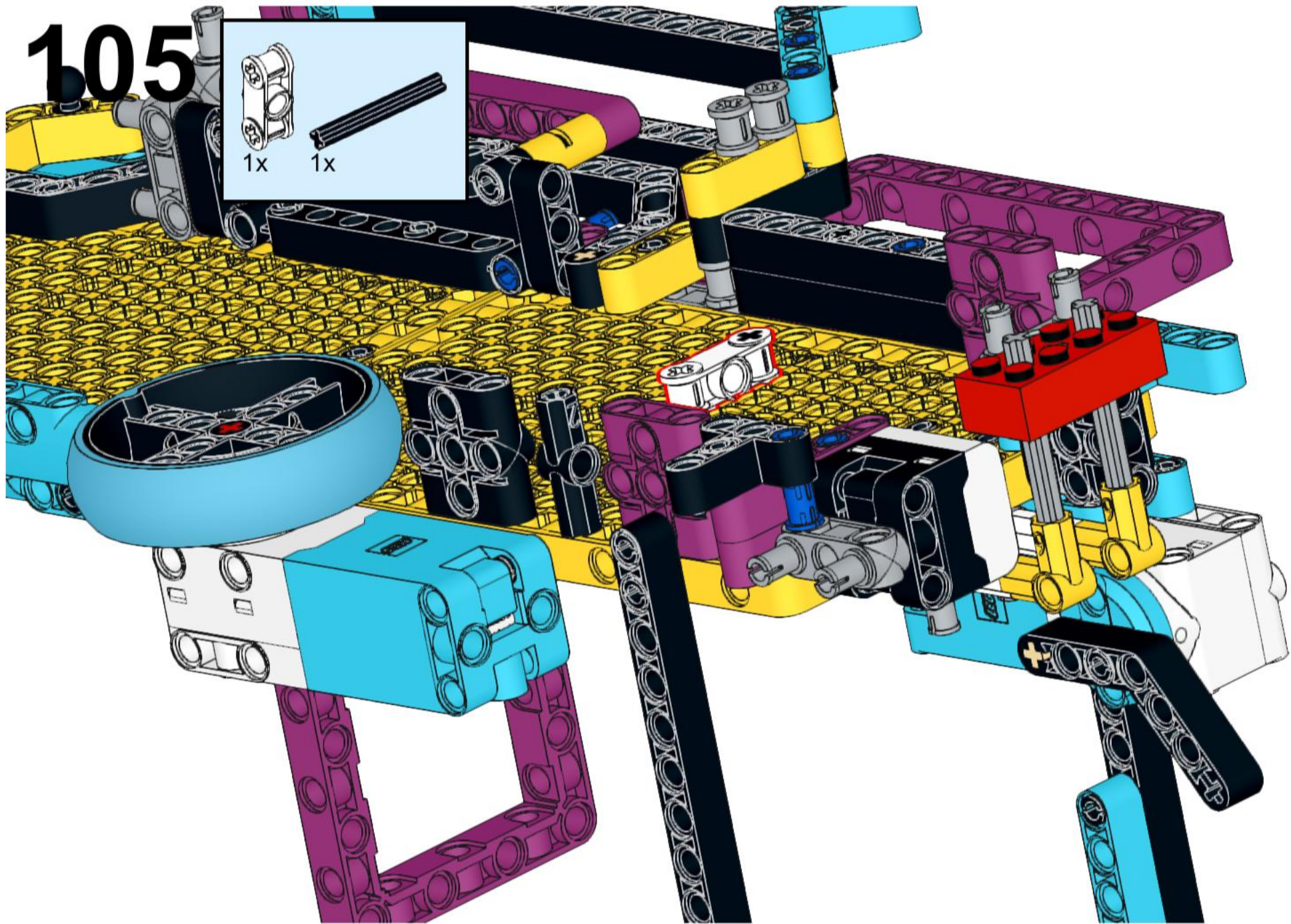
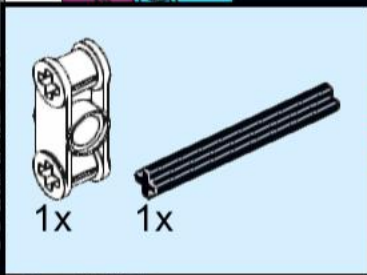


104

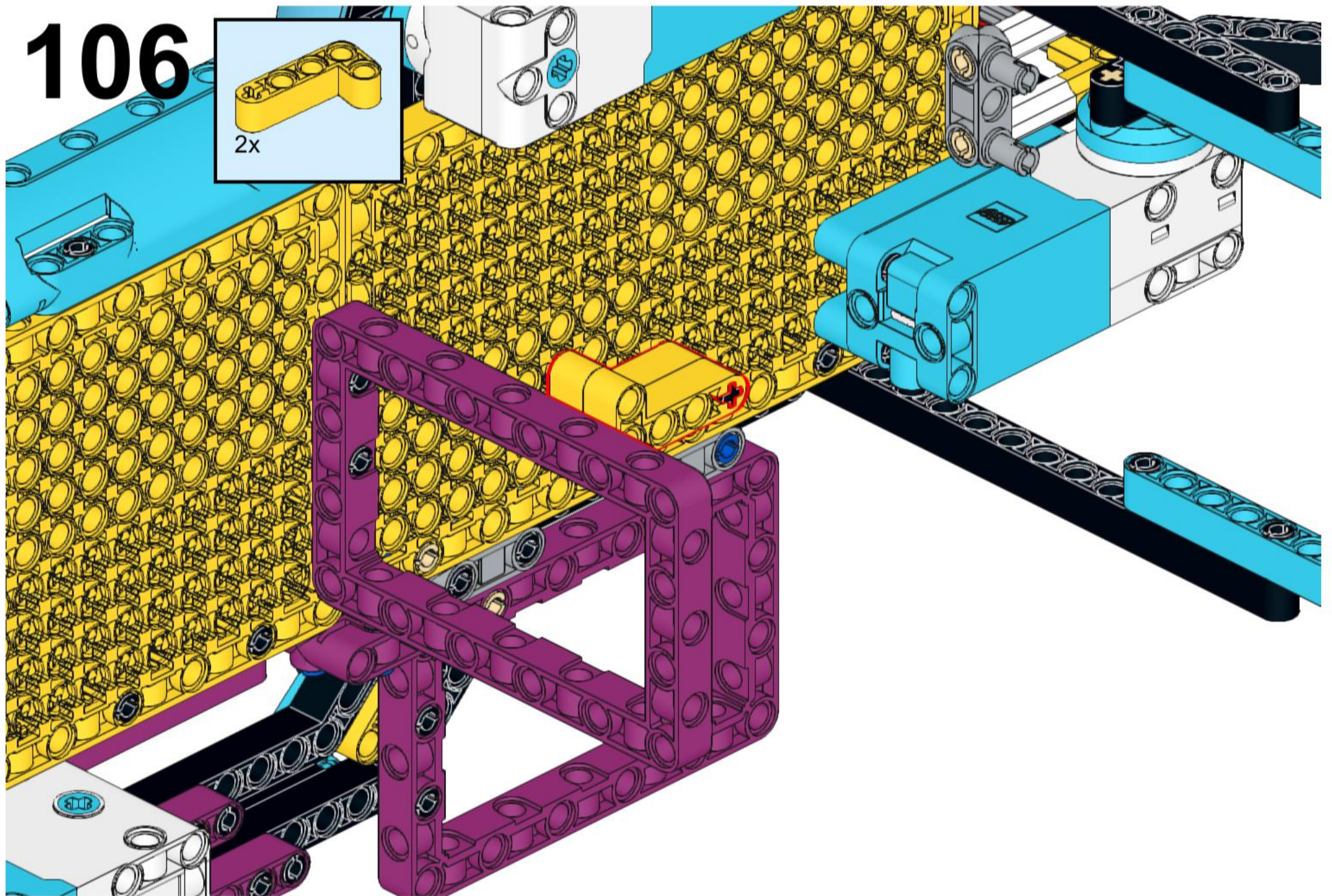
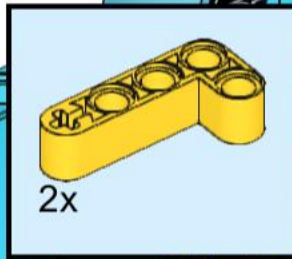




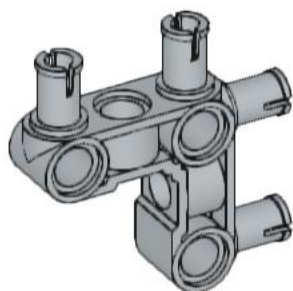
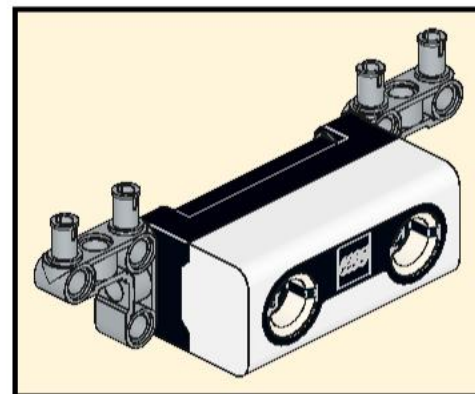
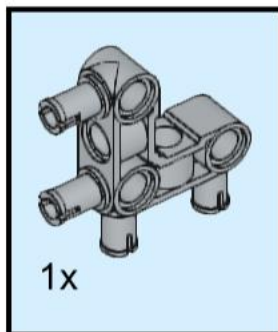
# 105



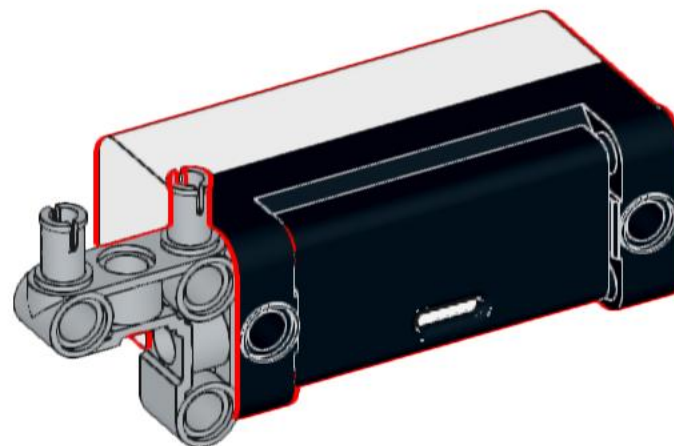
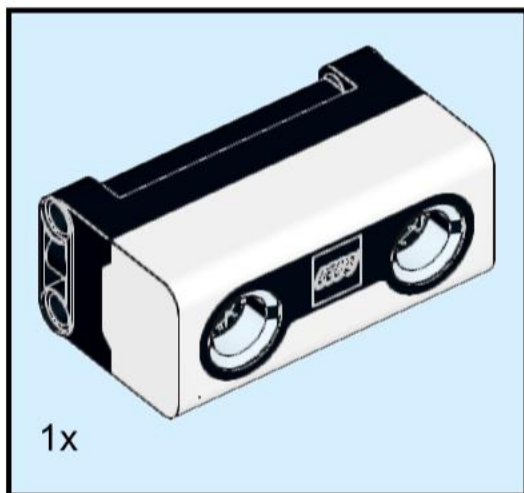
# 106



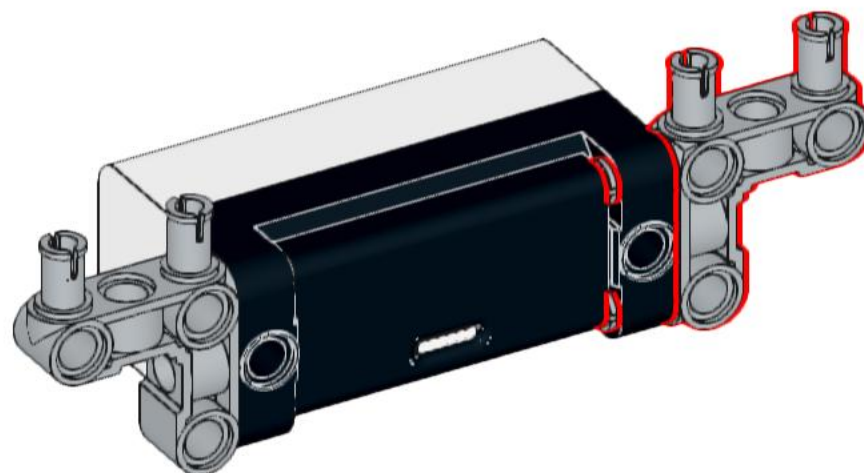
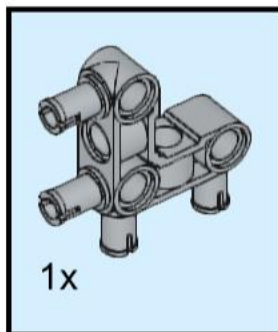
# 107

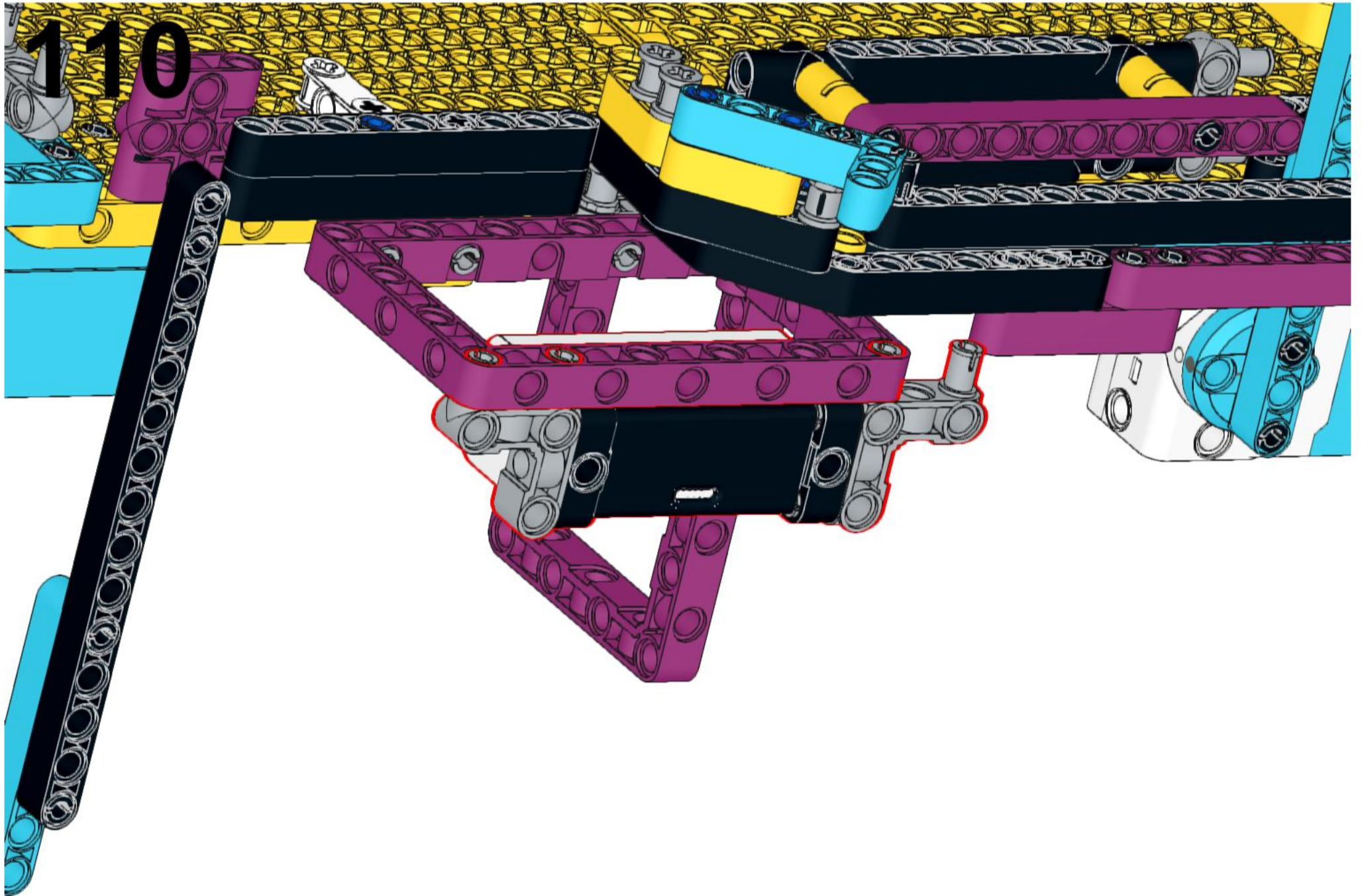


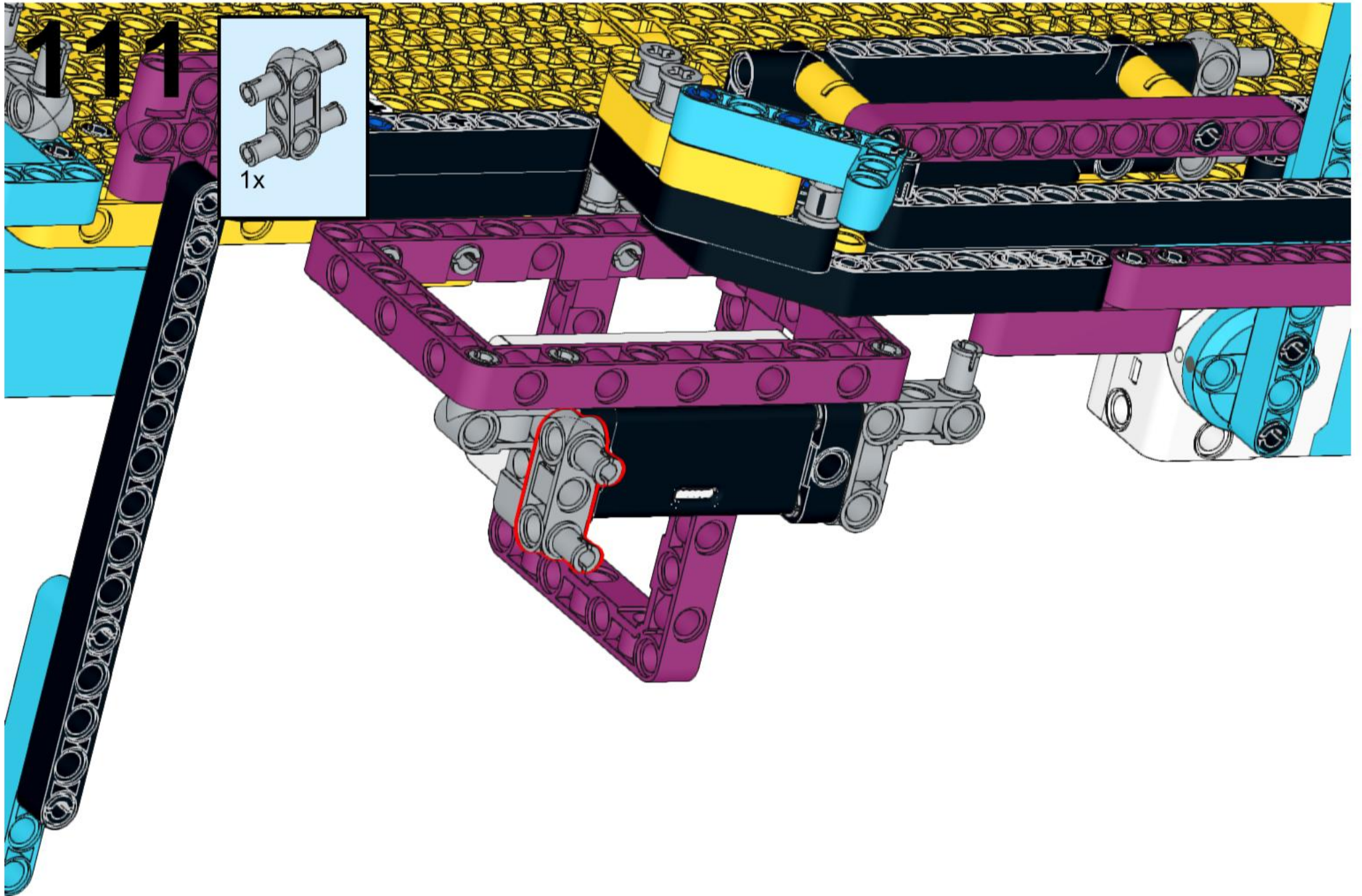
# 108



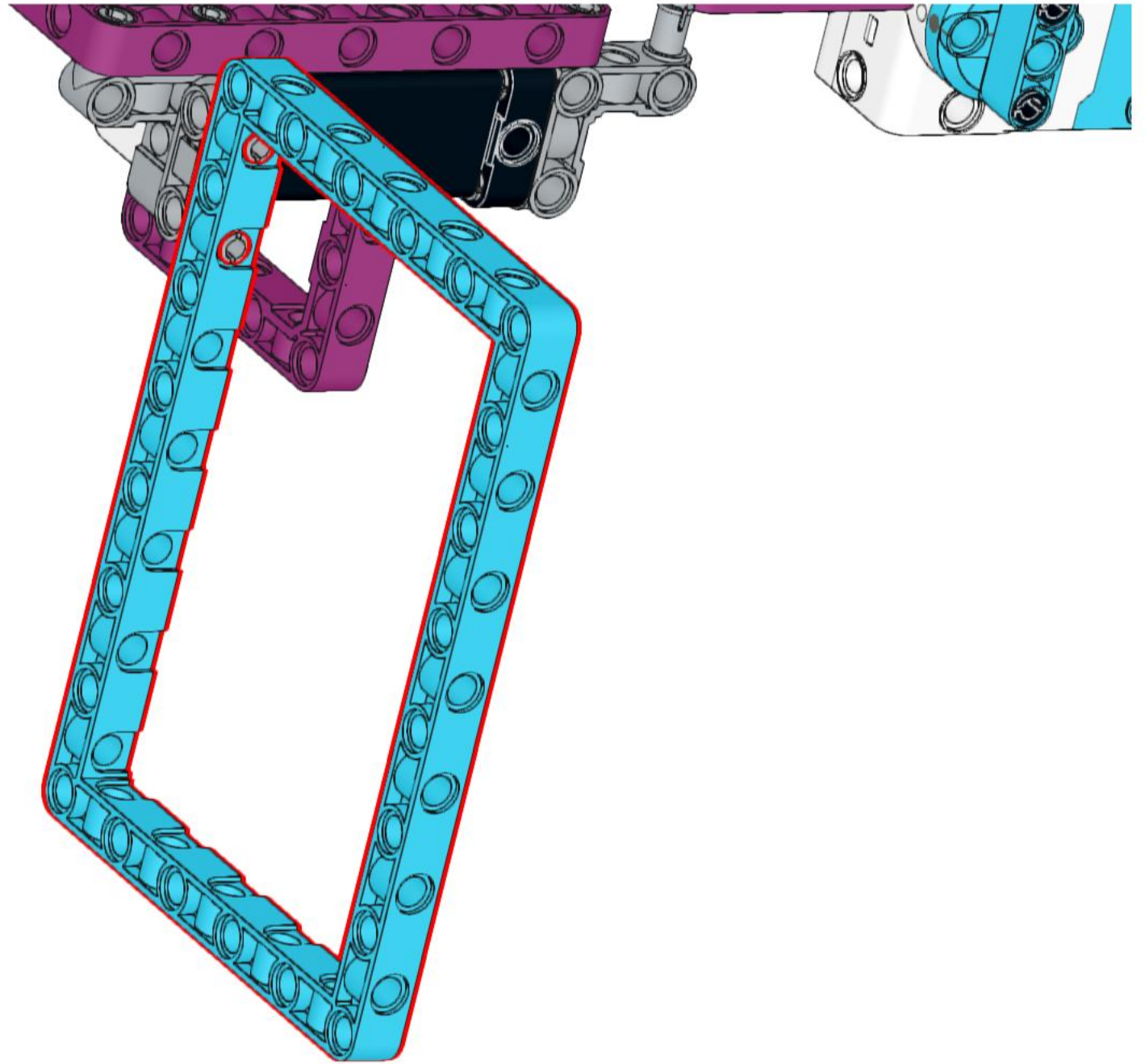
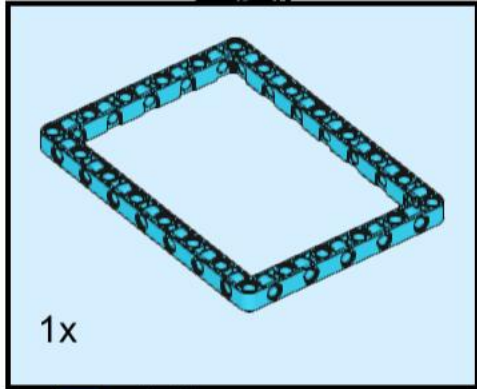
# 109



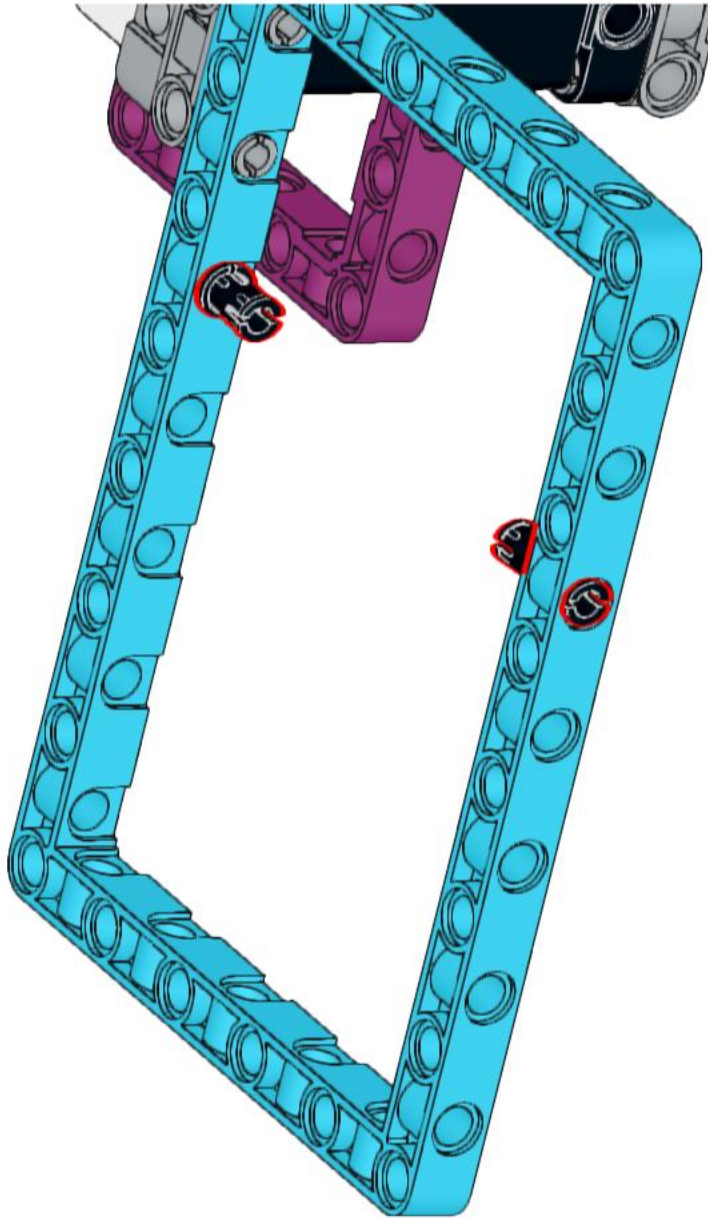




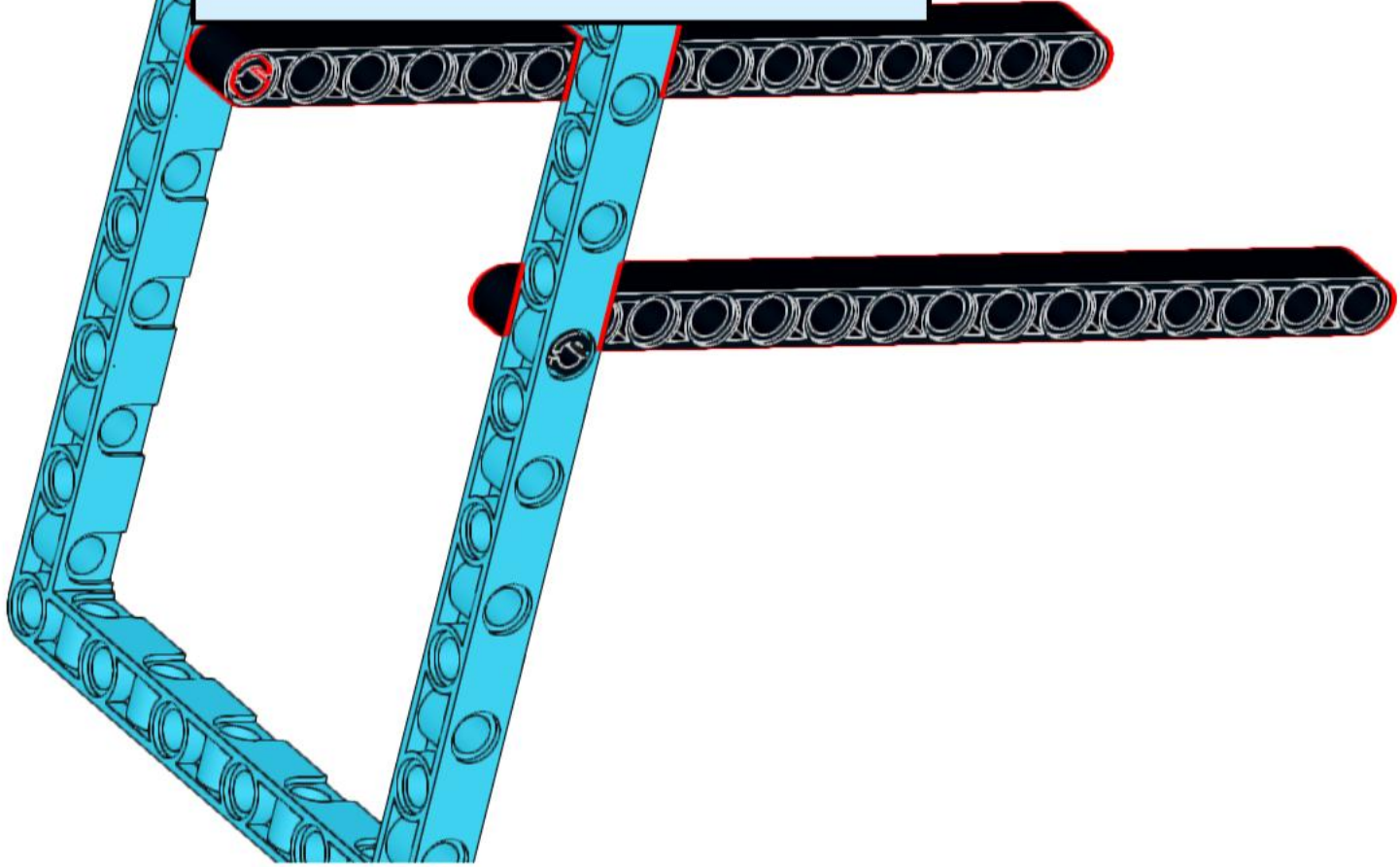
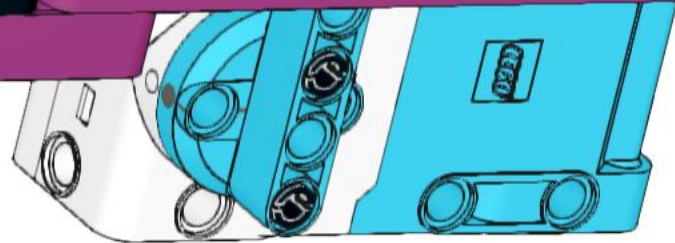
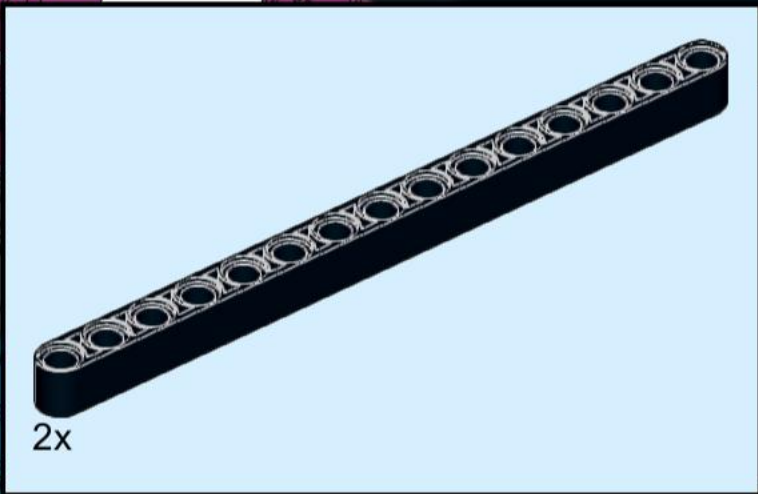
112



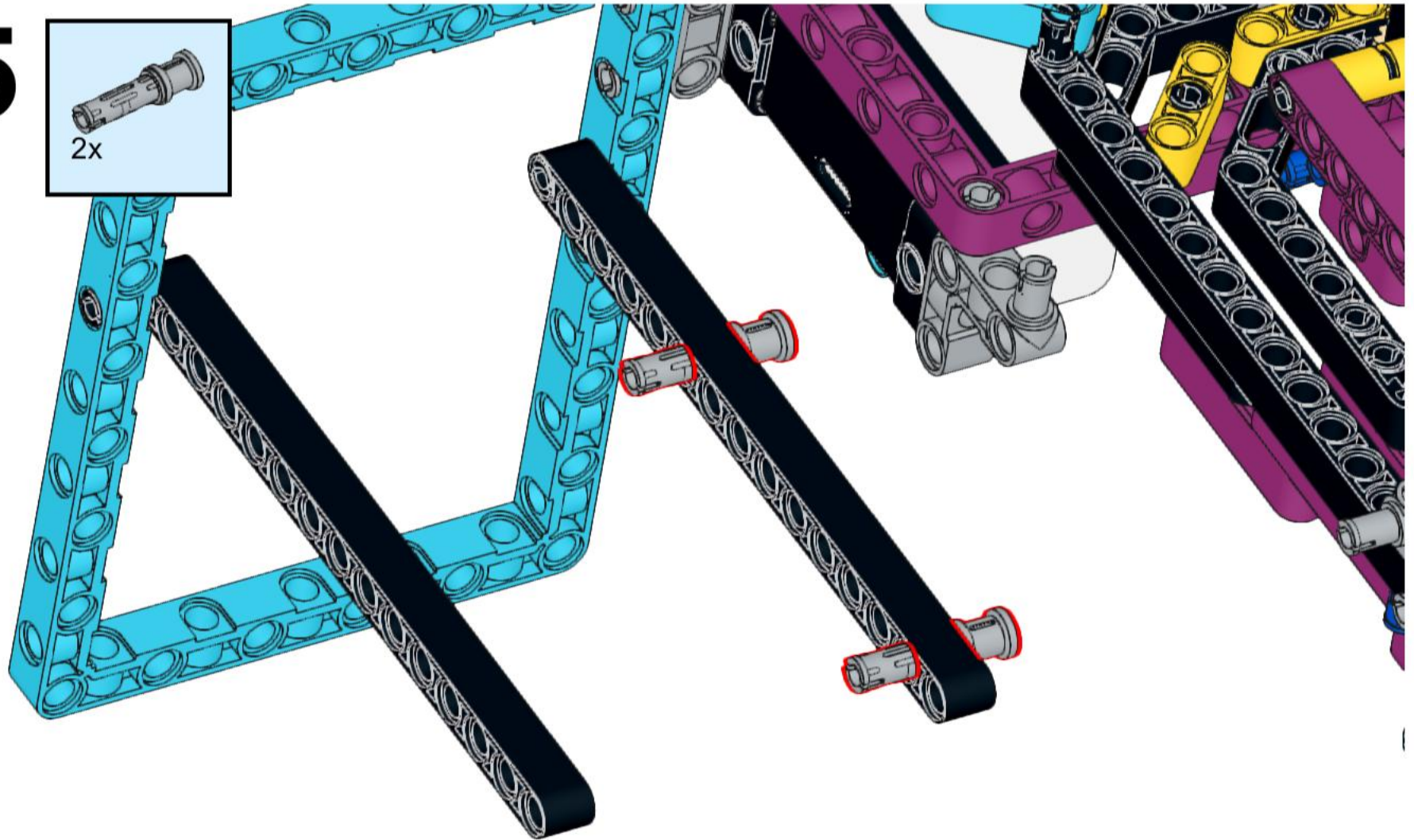
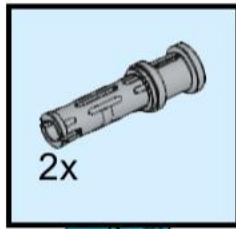




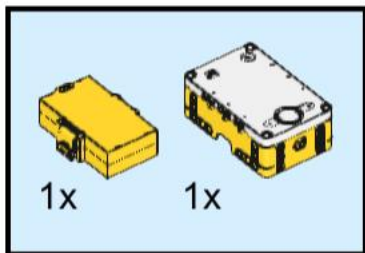
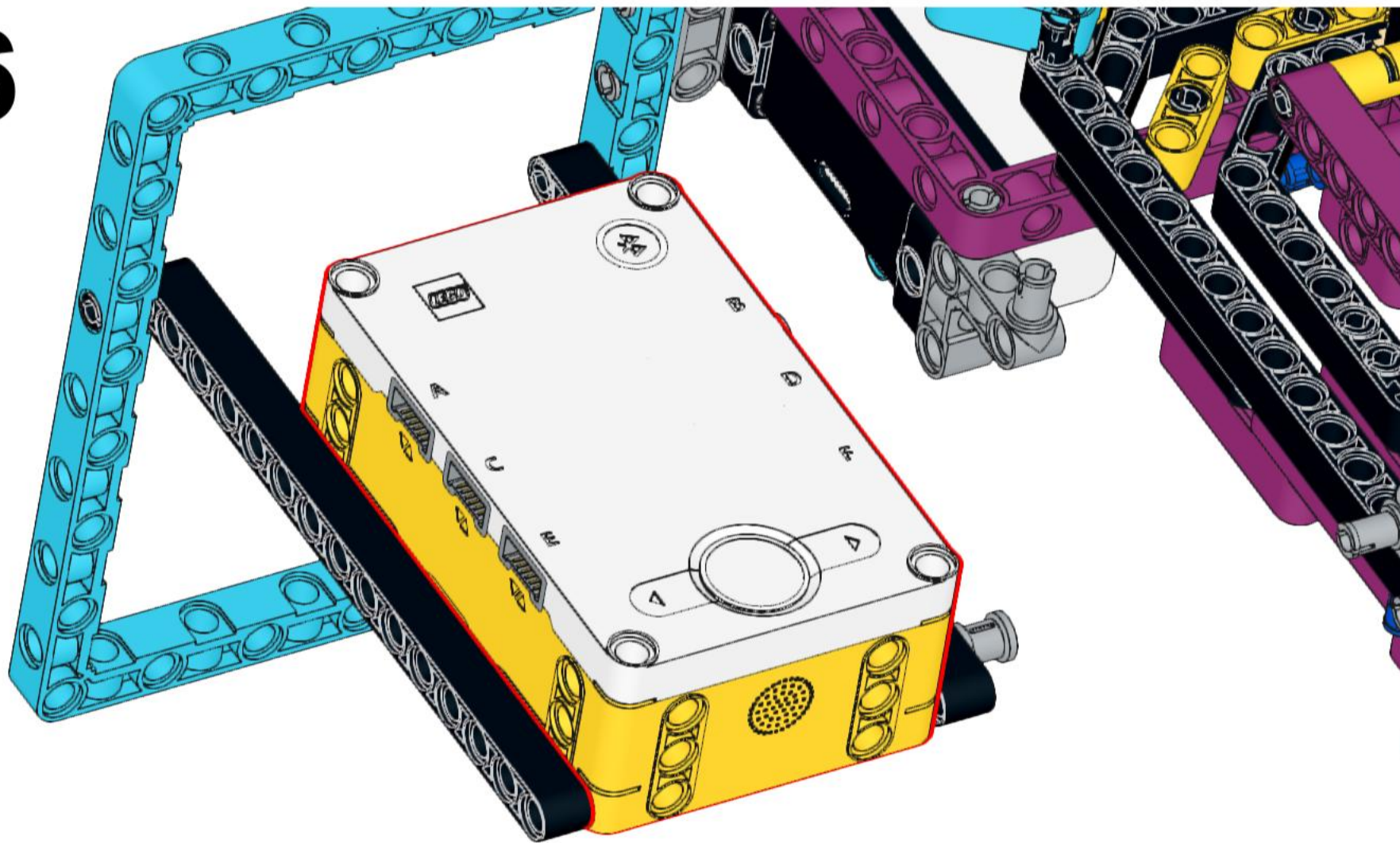
114



# 115



# 116



# 117

